

SCHEDULE OF COMPONENTS

Item No - Ref Drawing	Description	Qty
P003 - MD.R132.A01	2100 Steel Post for Thrie Beam	2
P006 - MD.R132.A02 OR	430 Notched Blockout Piece for Thrie Beam (Verge Application)	2
P007 - MD.R132.A02	430 Notched Blockout Piece for Thrie Beam (Median Application)	
B003 - MD.R132.B02	4000 Thrie Beam Rail	1
B004 - MD.R132.B02	300 Thrie Beam Stiffening Piece	1
FB01 - MD.R132.C02	M16x50 Mushroom Head Bolt - Post	2
FB02 - MD.R132.C03	M16x30 Hexagon Bolt - Post	4
FB03 - MD.R132.C02	M16x32 Mushroom Head Bolt - Splice	12
FN01 - MD.R132.C02	M16 Nut	6
FN02 - MD.R132.C02	M16 Oversized Nut (18 deep)	12

NOTES:

Rail lap, post and blockout orientation in relation to traffic direction as shown is essential.

All dimensions shown in millimeters unless otherwise shown.

Dimension from Ground Line to top of Blockout is 885mm as against 825mm for Standard Blockout

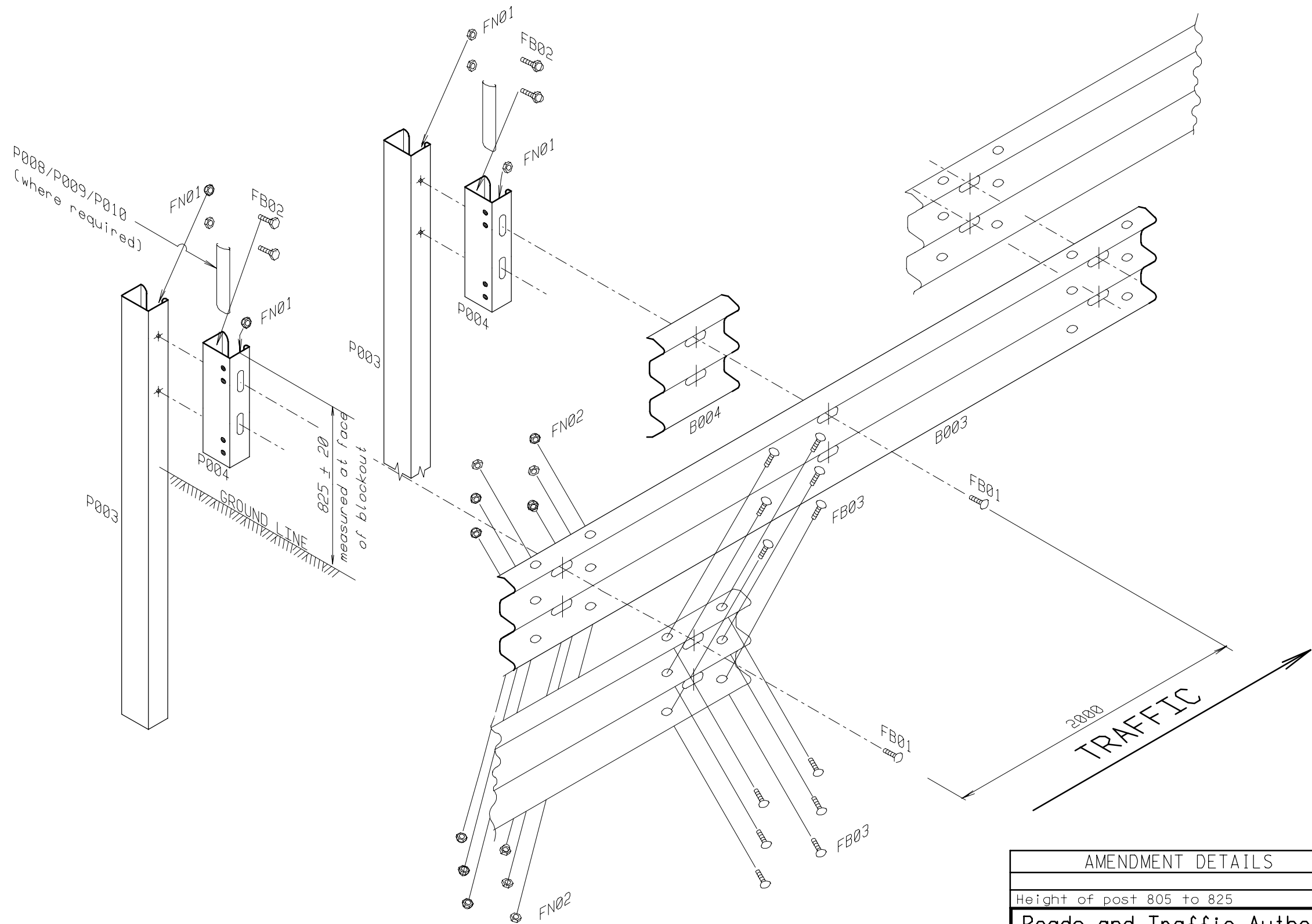
AMENDMENT DETAILS	DATE
Height of post 865 to 885	July 2001

Roads and Traffic Authority NSW

MODIFIED THRIE BEAM ASSEMBLY  
USING NOTCHED BLOCKOUTS

SCALE	No. OF SHEETS	SHEET No.
N.T.S.	1	1

DRAWING NUMBER  
MD.R132.F03.A.1



SCHEDULE OF COMPONENTS

Item No - Ref Drawing	Description	Qty
P003 - MD.R132.A01	2100 Steel Post for Thrie Beam	2
P004 - MD.R132.A01	550 Blockout Piece for Thrie Beam	2
B003 - MD.R132.B02	4000 Thrie Beam Rail	1
B004 - MD.R132.B02	300 Thrie Beam Stiffening Piece	1
FB01 - MD.R132.C02	M16x50 Mushroom Head Bolt - Post	2
FB02 - MD.R132.C03	M16x30 Hexagon Bolt - Post	4
FB03 - MD.R132.C02	M16x32 Mushroom Head Bolt - Splice	12
FN01 - MD.R132.C02	M16 Nut	6
FN02 - MD.R132.C02	M16 Oversized Nut (18 deep)	12

NOTES:

Rail lap, post and blockout orientation in relation to traffic direction as shown is essential.

All dimensions shown in millimeters unless otherwise shown.

AMENDMENT DETAILS		DATE
Height of post 805 to 825		July 2001
Roads and Traffic Authority NSW		
<b>THRIE BEAM ASSEMBLY USING STANDARD BLOCKOUTS</b>		
SCALE	No. OF SHEETS	SHEET No.
N.T.S.	1	1
DRAWING NUMBER		
<b>MD.R132.F02.A.1</b>		