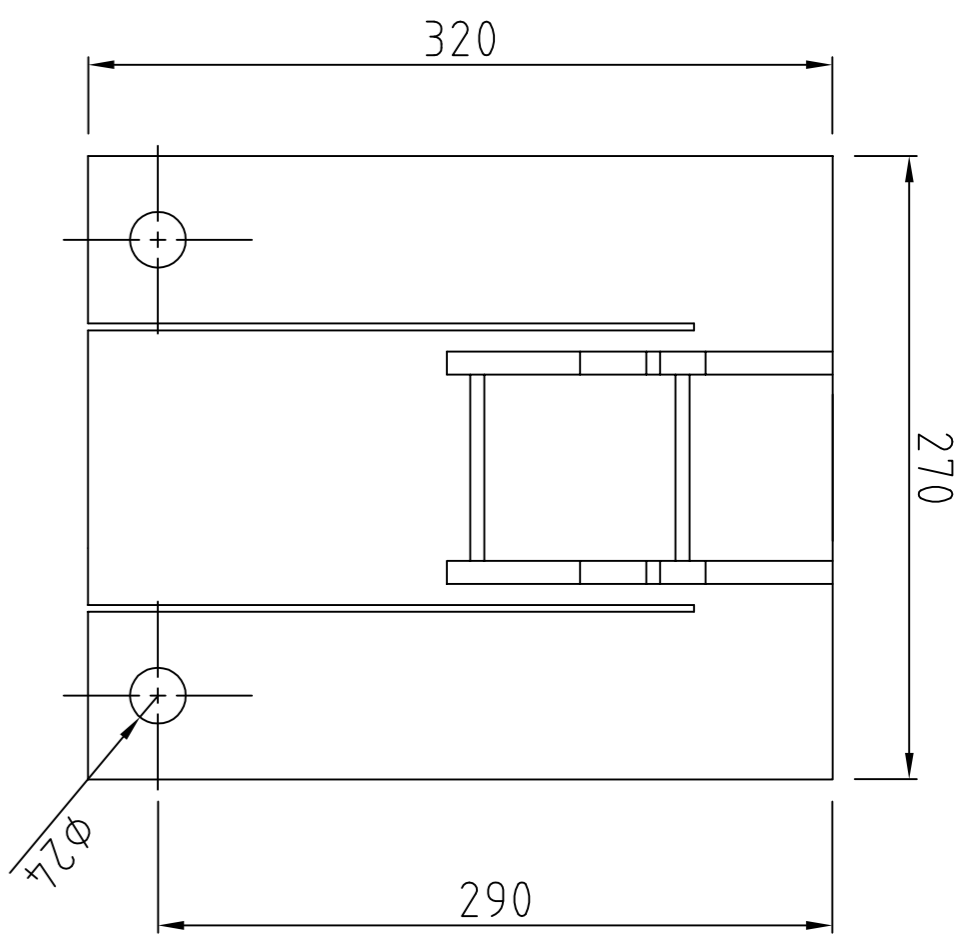
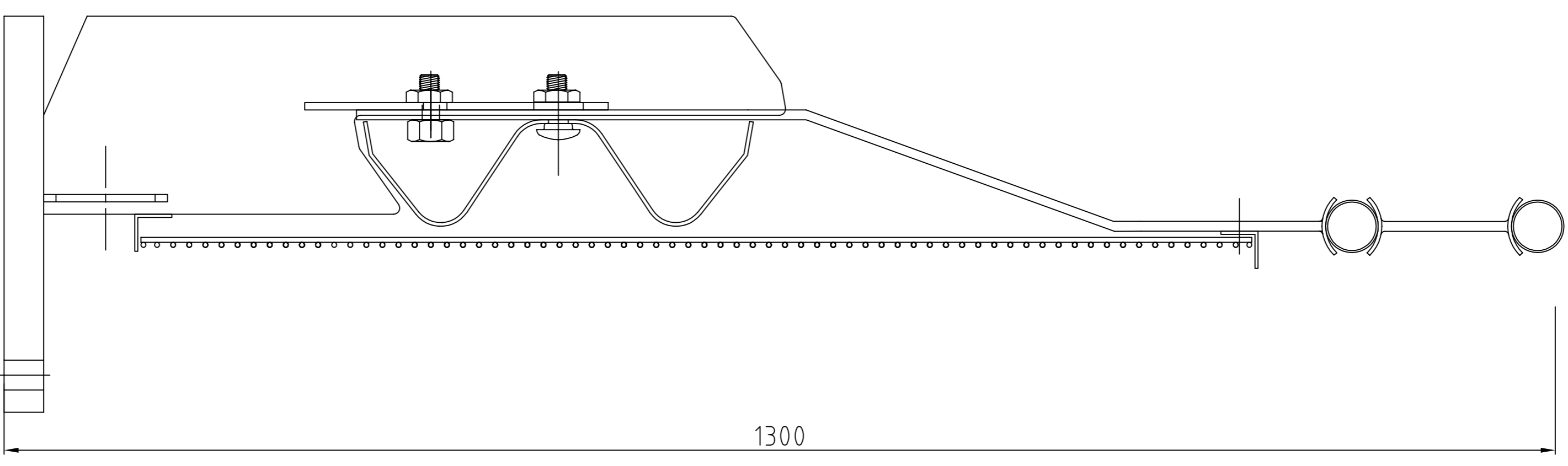
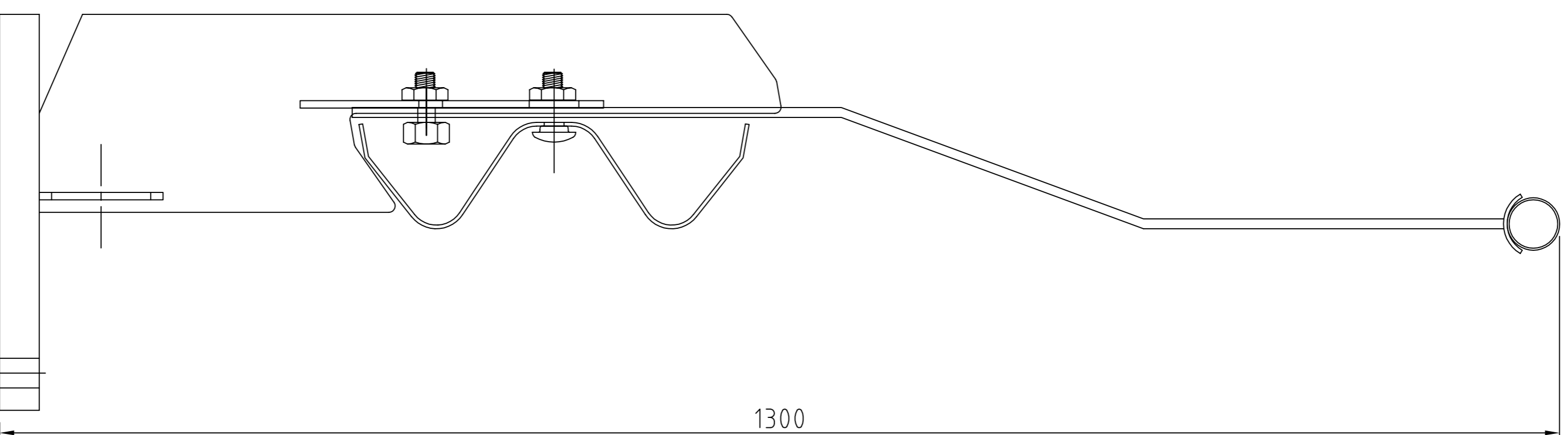
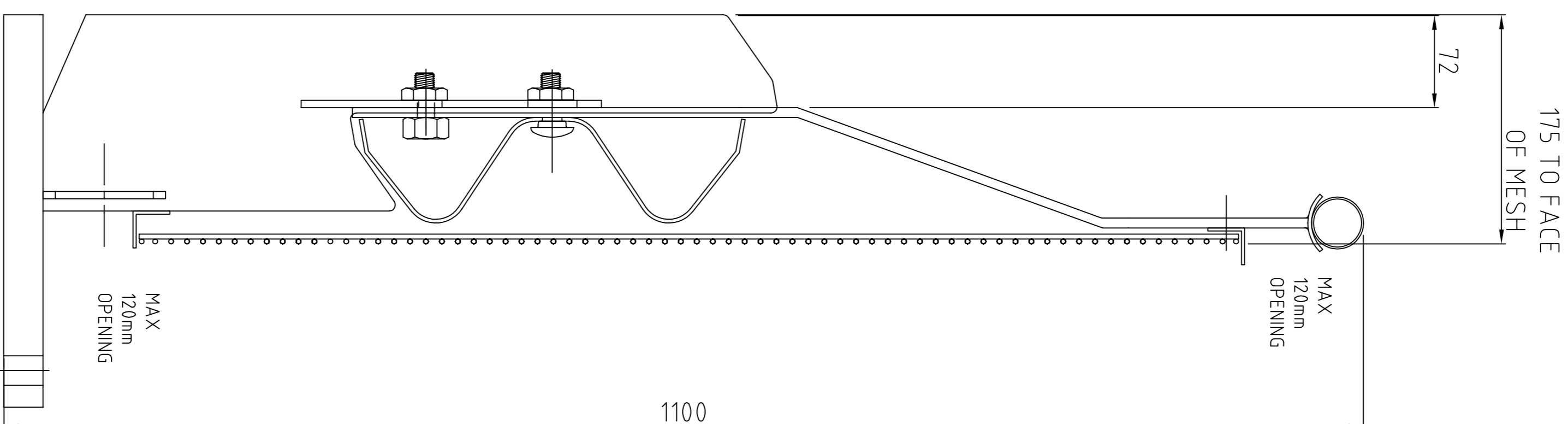
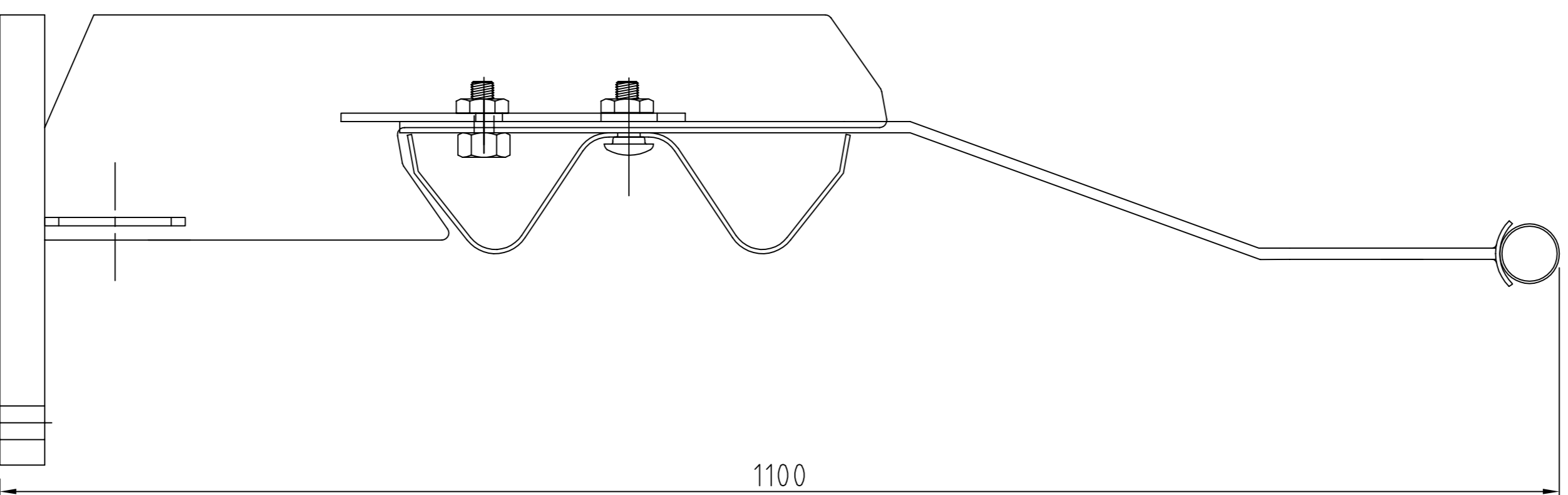
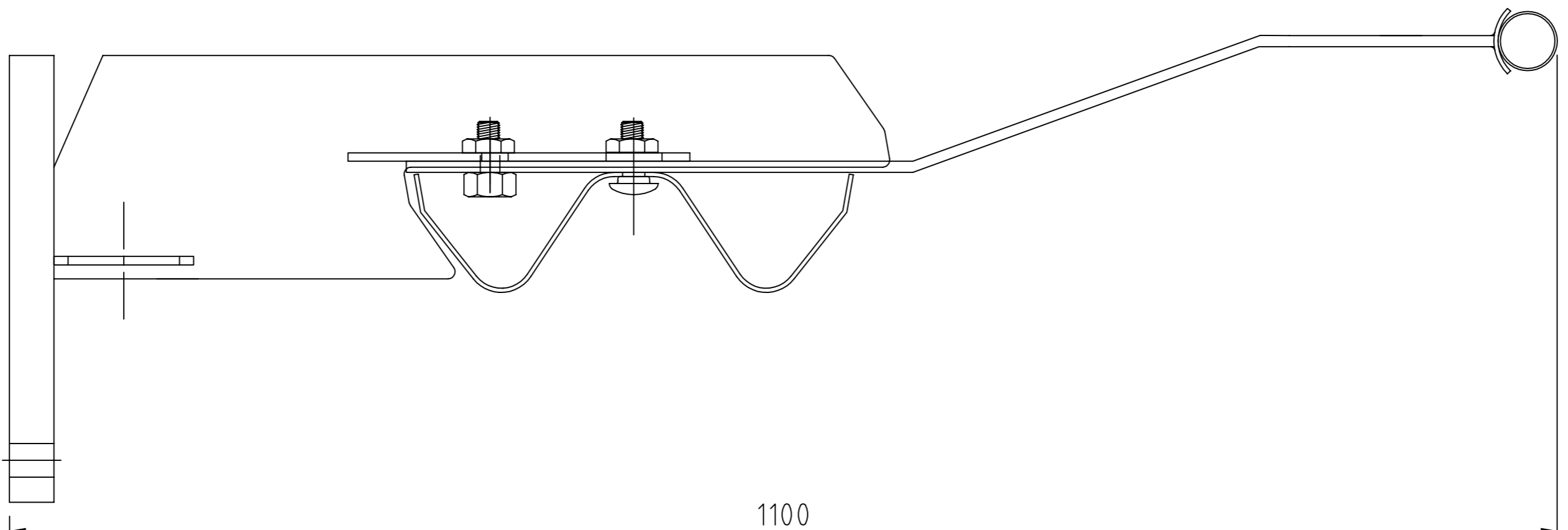
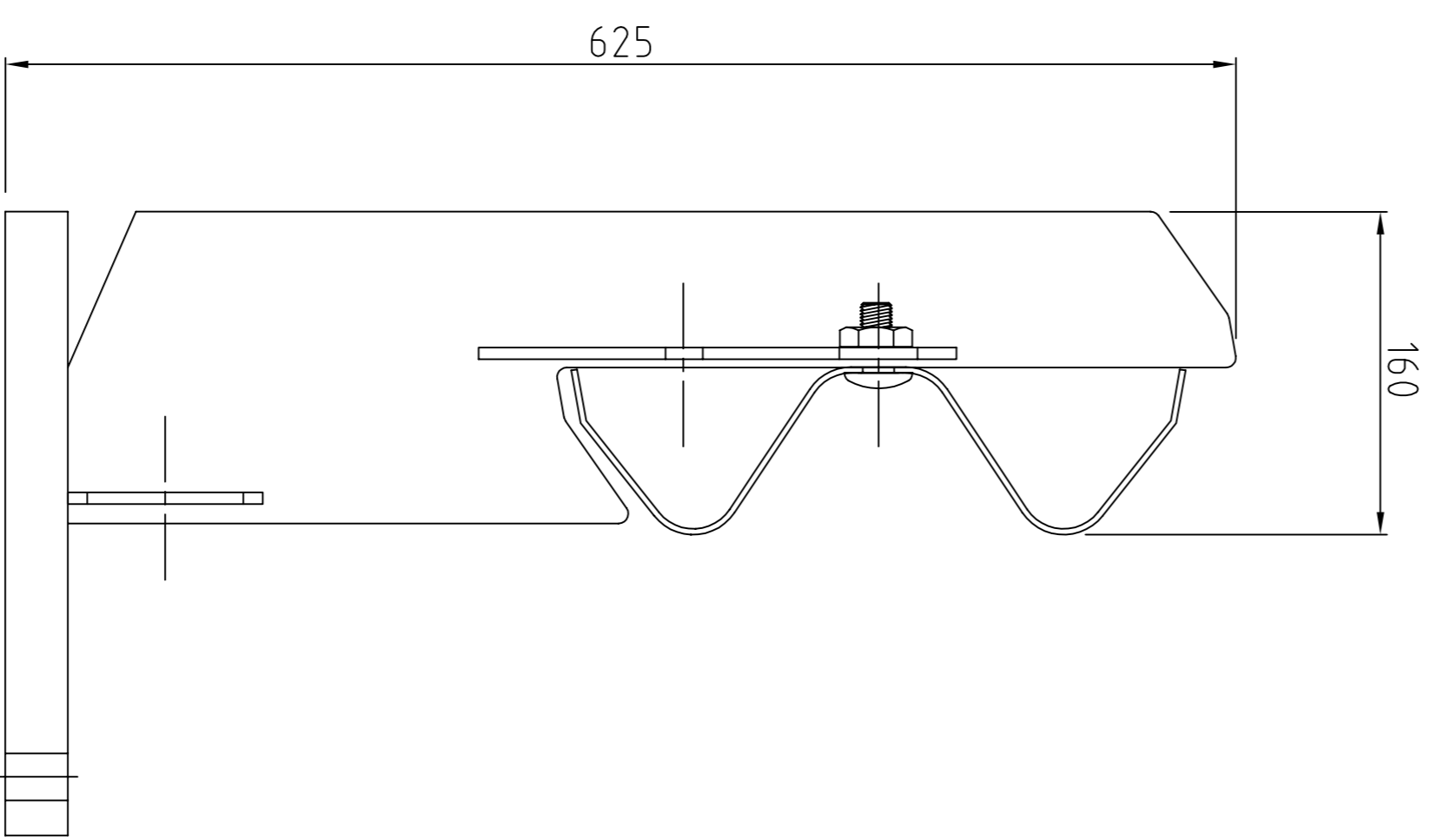


Rhino-Stop 240 with posts spaced at 800mm centres has been assessed to withstand the 240kN impact load as described in AS/NZS 1170.1 for end of ramp locations in light traffic areas



BASE PLATE DETAIL



RHINO-STOP 240 TYPE 1

GUARDRAIL

RHINO-STOP 240 TYPE 2

GUARDRAIL &
OFFSIDE BALUSTRADE

RHINO-STOP 240 TYPE 3

GUARDRAIL &
NEARSIDE BALUSTRADE

RHINO-STOP 240 TYPE 4

GUARDRAIL, BALUSTRADE &
ANTI-CLIMB MESH

RHINO-STOP 240 TYPE 5

GUARDRAIL &
SIGHT RAIL

RHINO-STOP 240 TYPE 6

GUARDRAIL, BALUSTRADE,
ANTI-CLIMB MESH & SIGHT RAIL

REVISIONS			
REV	DATE	DESCRIPTION	
A	18.05.15	INITIAL ISSUE	

REVISIONS			
REV	DATE	DESCRIPTION	

SAFE DIRECTION

DRAWING DESCRIPTION	DRAWING REFERENCE

RHINO-STOP 240 ASSEMBLY TYPES				
DRAWN BY	AUSTEC DRAFTING	DIMENSIONS		
GR-WB-066			mm	
CHECKED	H. WALLACE	SCALE	NTS	
APPROVED	T. COLOUHOUN			