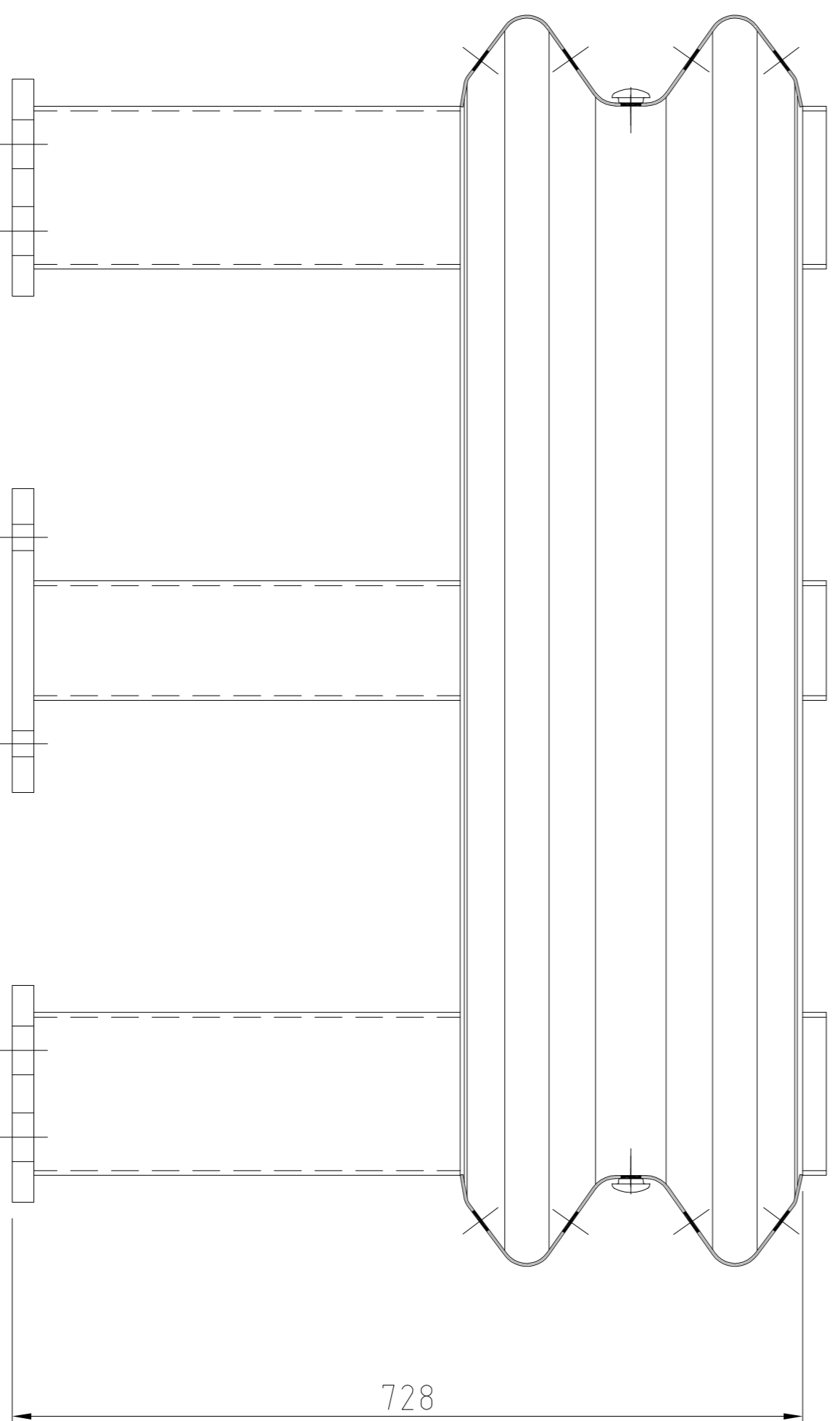
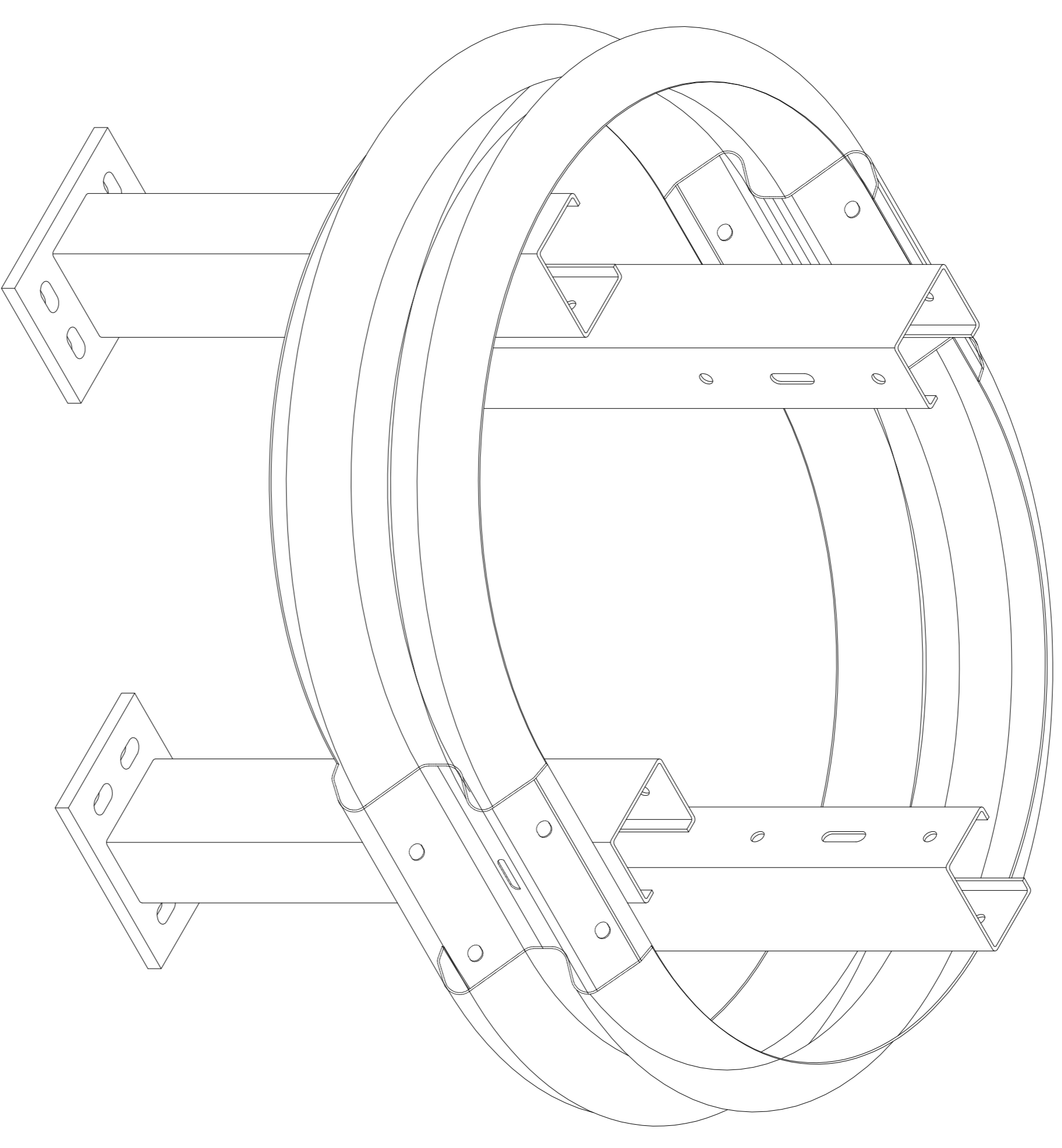


PLAN



ELEVATION



ISO VIEW

REVISIONS			
REV	DATE	DESCRIPTION	DRAWN
A	07.03.14	INITIAL ISSUE	DB
			TC

REVISIONS			
REV	DATE	DESCRIPTION	DRAWN



DRAWING DESCRIPTION
DRAWING REFERENCE

COLUMN GUARD TYPE 1			
GR-WB-050		DRAWN BY	AUSTEC DRAFTING
CHECKED	H. WALLACE	CHECKED	H. WALLACE
APPROVED	T. COLOUHOON	APPROVED	T. COLOUHOON
	DATE	DIMENSIONS	mm
		SCALE	NTS
		DATE	07.03.2014

REVISIONS			
REV	DATE	DESCRIPTION	
A	07.03.14	INITIAL ISSUE	

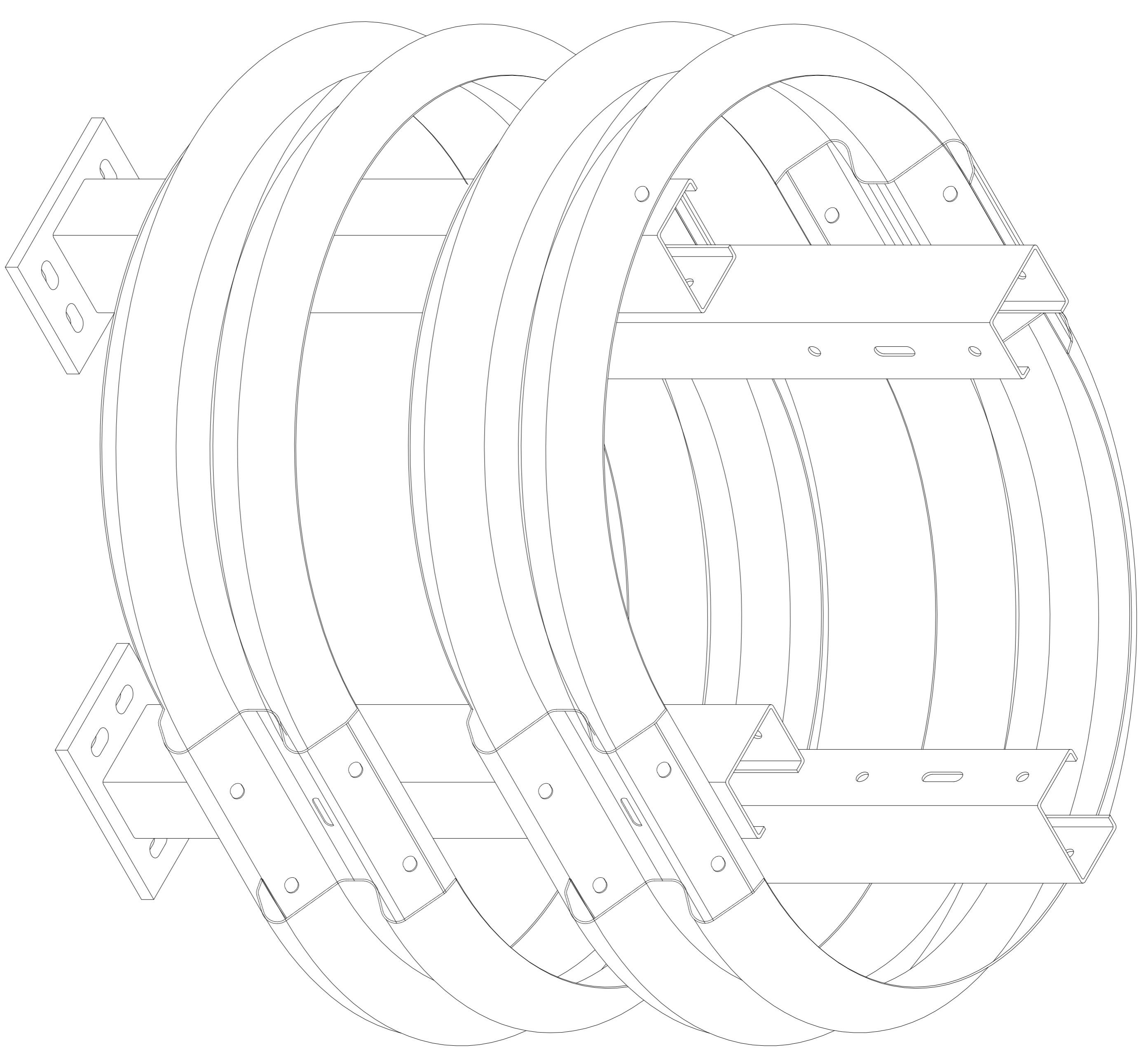
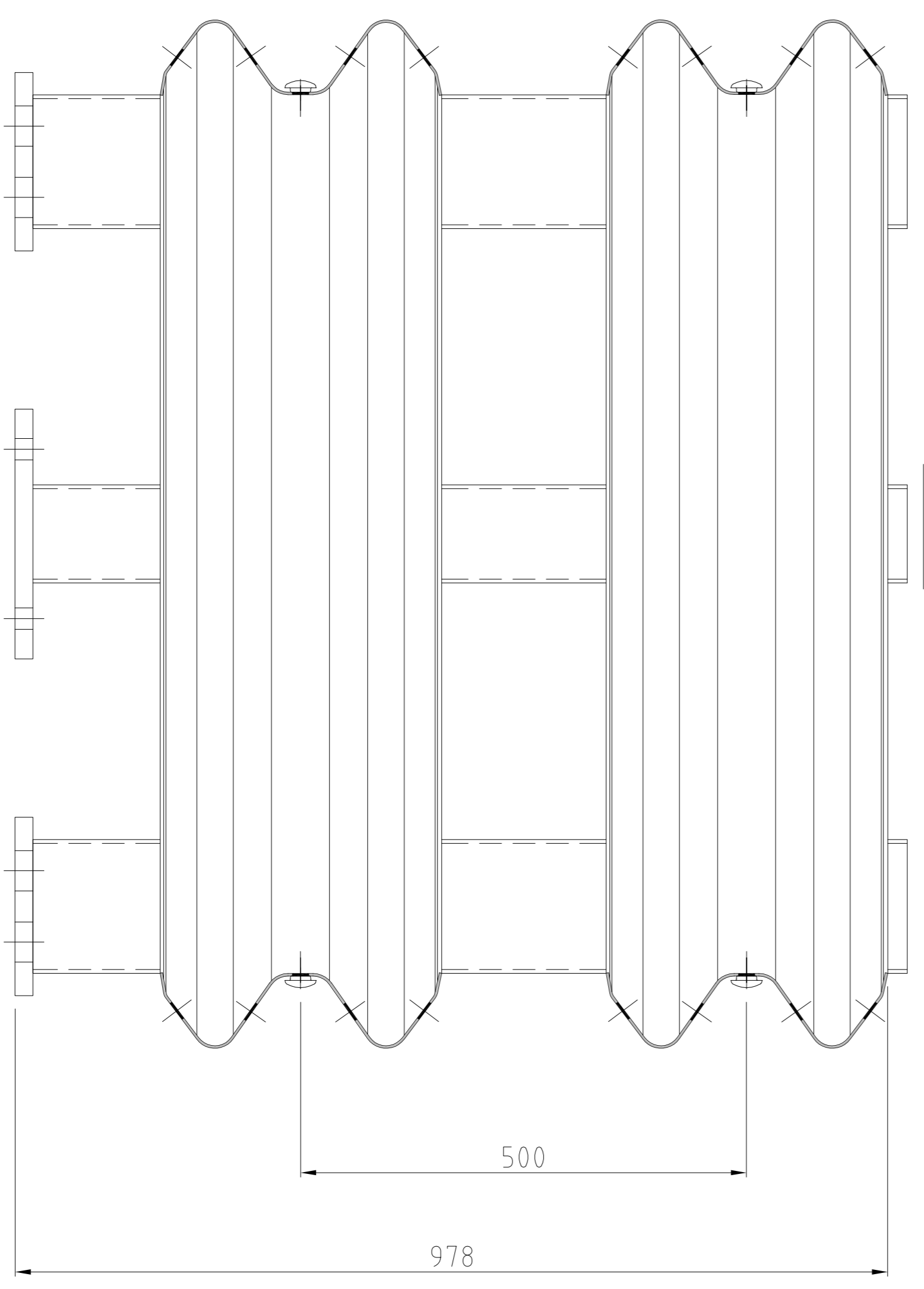
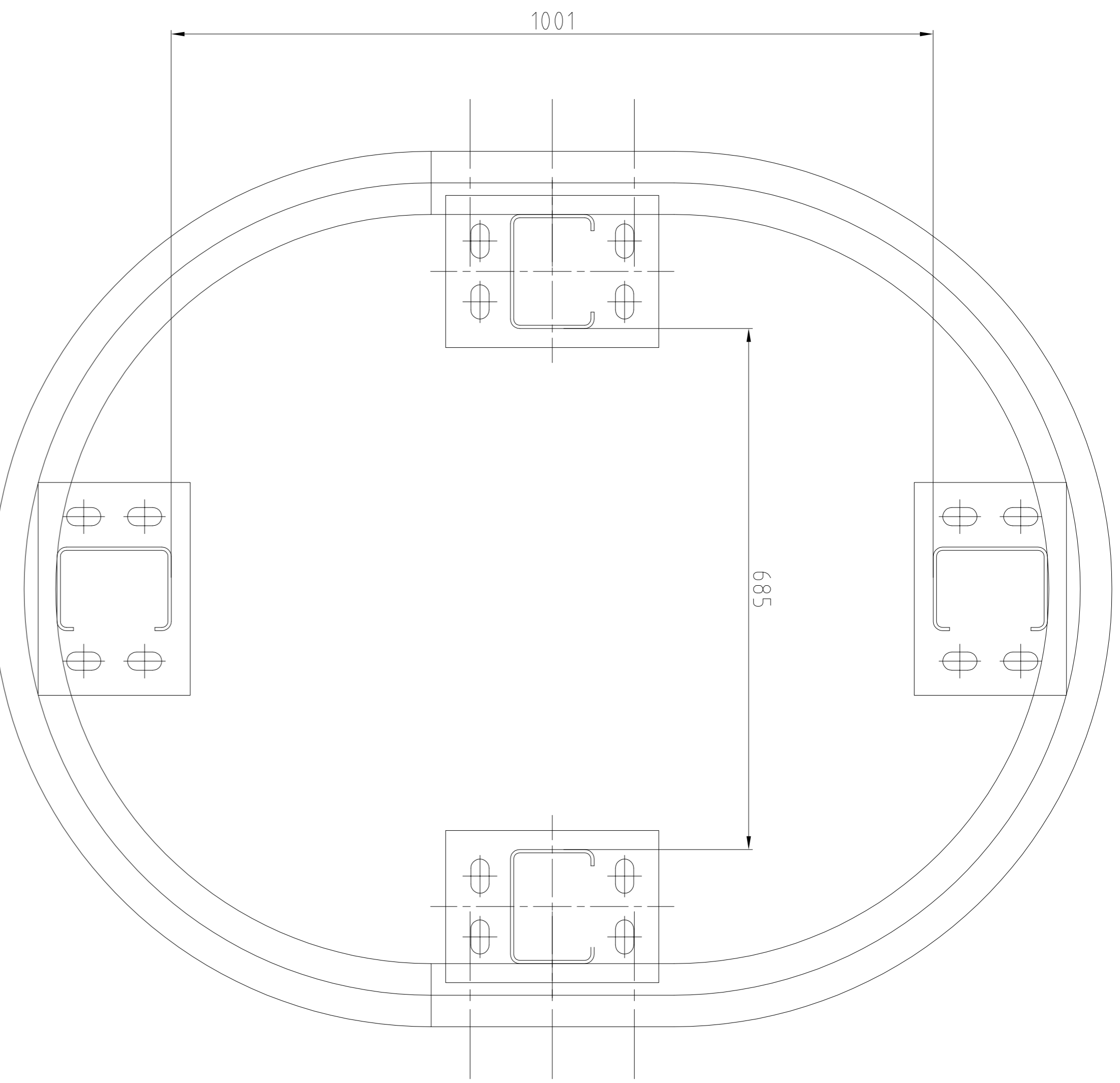
REVISIONS			
REV	DATE	DESCRIPTION	

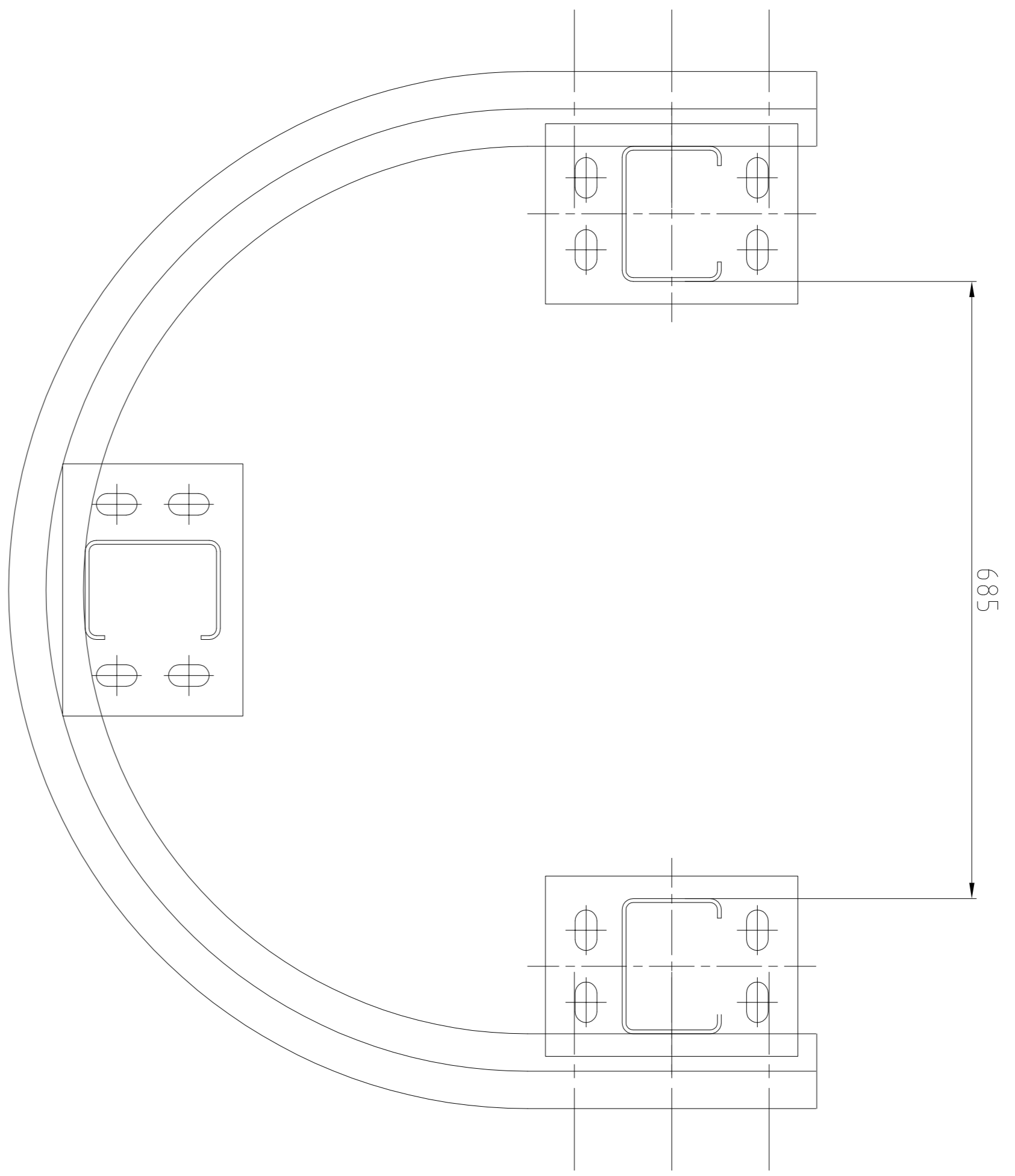


SAFE DIRECTION

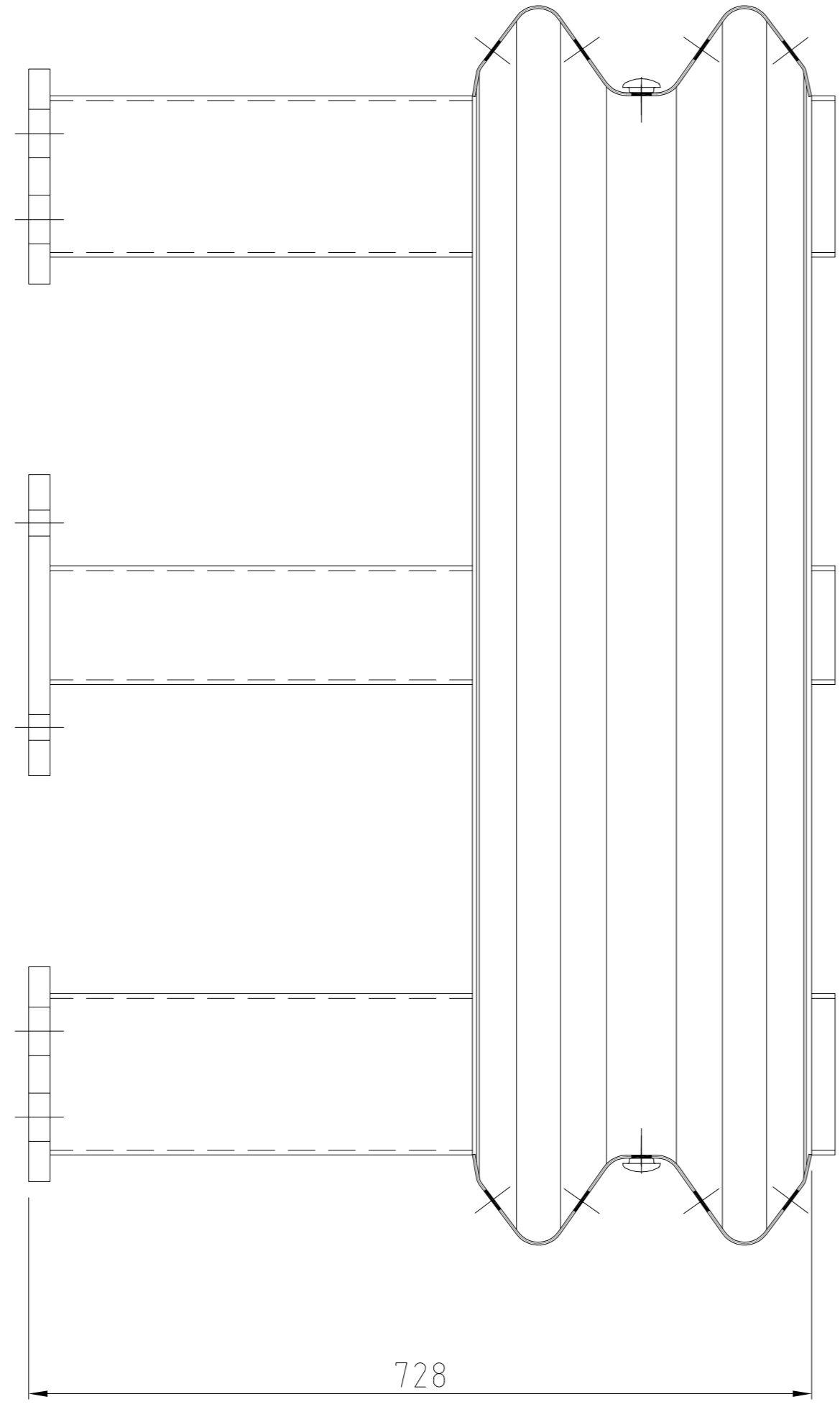
DRAWING DESCRIPTION
DRAWING REFERENCE

COLUMN GUARD TYPE 2		DRAWN BY	AUSTEC DRAFTING	DIMENSIONS	mm
GR-WB-051	CHECKED	H. WALLACE	SCALE	NTS	07.03.2014
	APPROVED	T. COLQUHOUN	DATE		

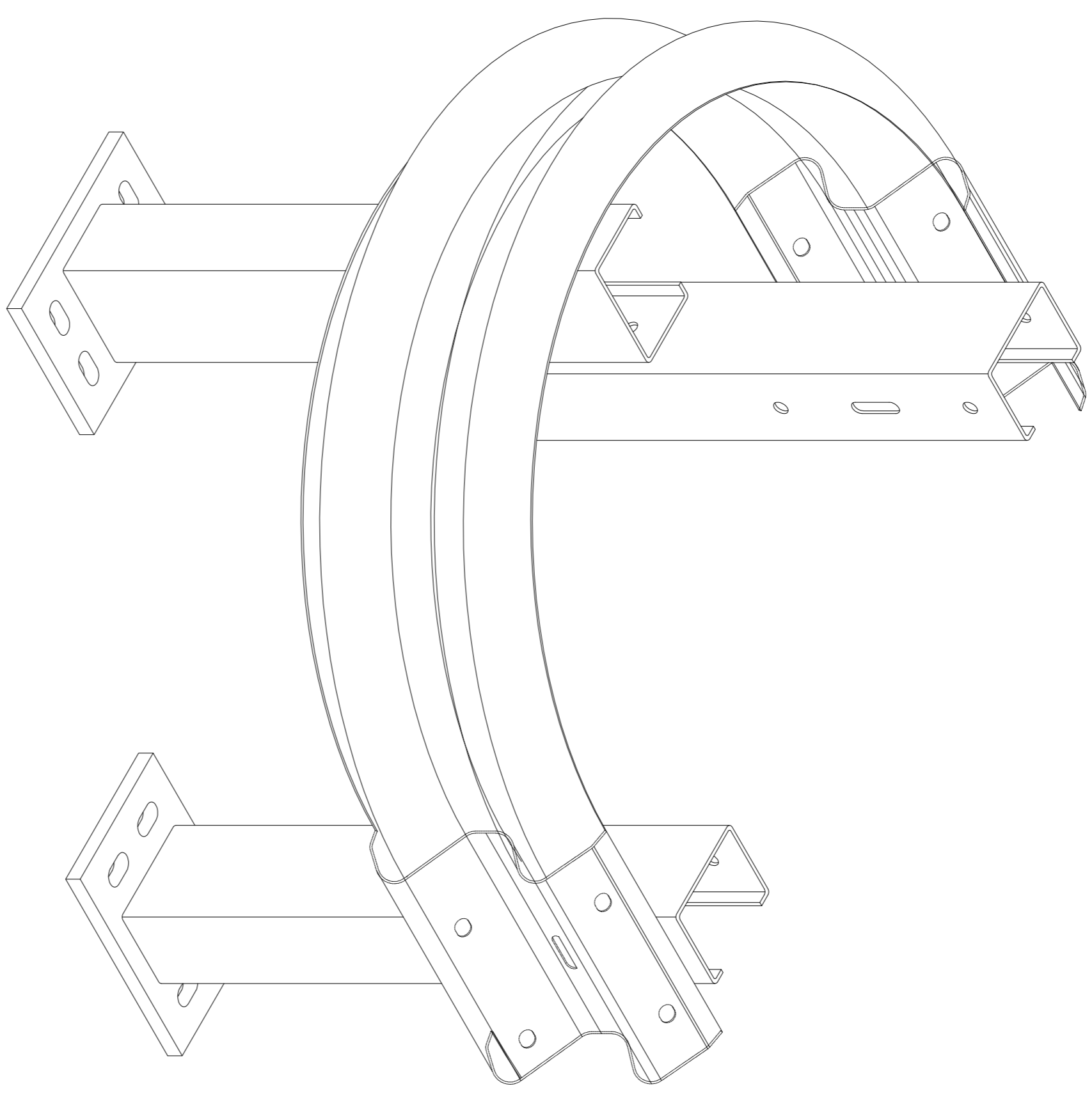




PLAN



ELEVATION



ISO VIEW

REVISIONS			
REV	DATE	DESCRIPTION	
A	07.03.14	INITIAL ISSUE	

REVISIONS			
REV	DATE	DESCRIPTION	

DRAWN	DB		
APPRD.	TC		

SAFE DIRECTION

DRAWING DESCRIPTION		COLUMN GUARD TYPE 3			
DRAWING REFERENCE		GR-WB-052			
DRAWN BY	AUSTEC DRAFTING	DIMENSIONS	mm		
CHECKED	H. WALLACE	SCALE	NTS		
APPROVED	T. COLQUHOUN	DATE	07.03.2014		

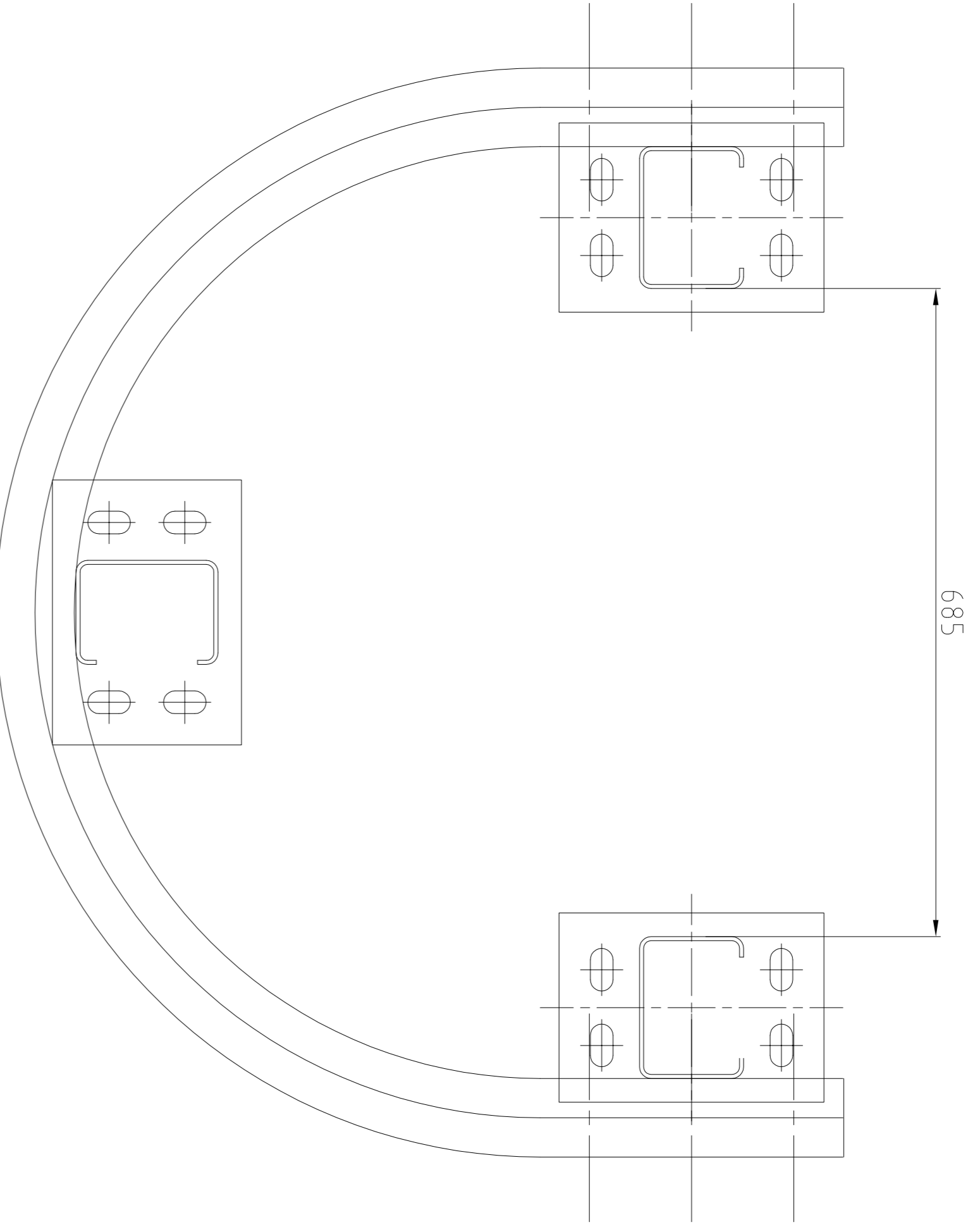
REVISIONS			
REV	DATE	DESCRIPTION	
A	07.03.14	INITIAL ISSUE	

REVISIONS			
REV	DATE	DESCRIPTION	

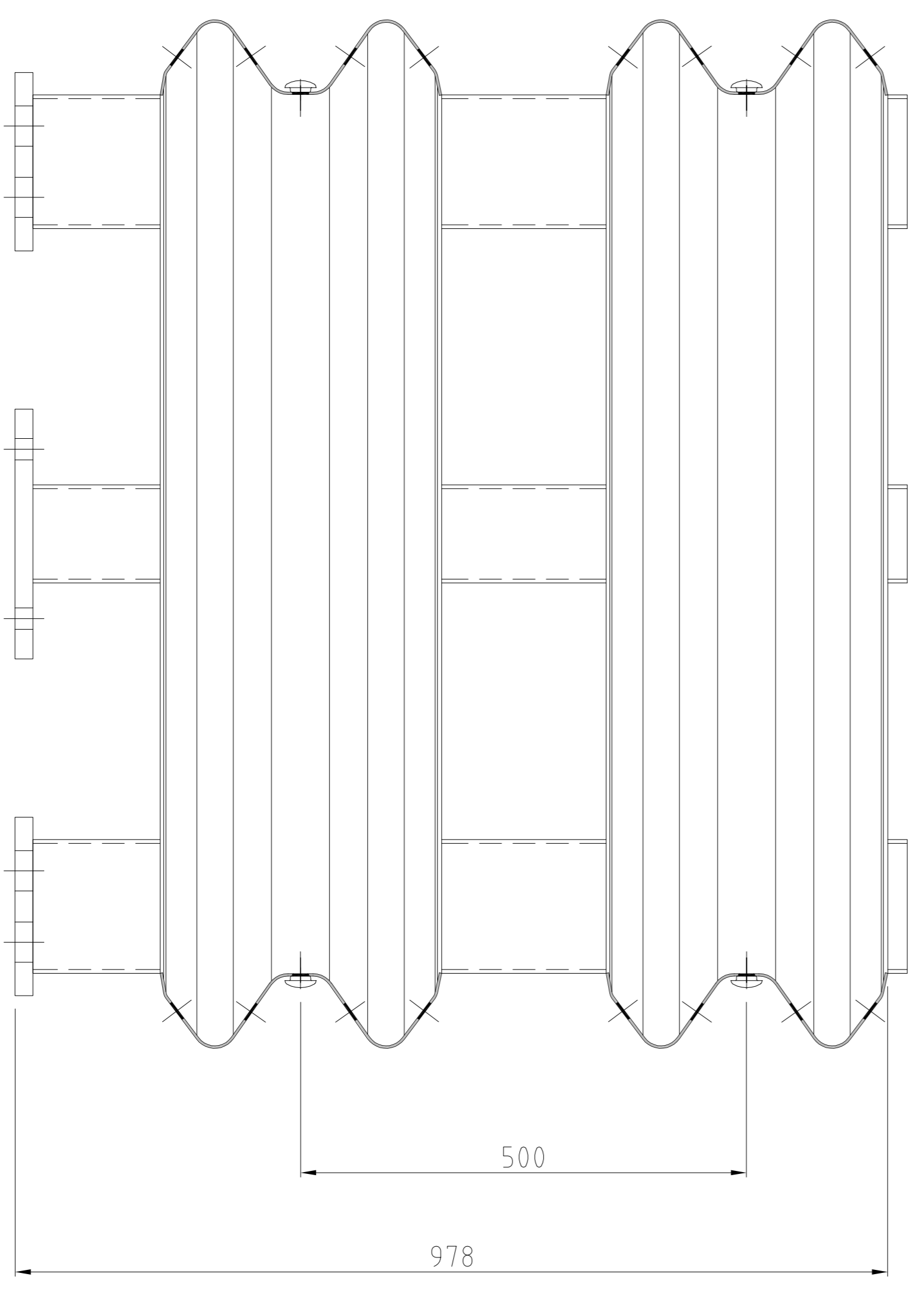


DRAWING DESCRIPTION
DRAWING REFERENCE

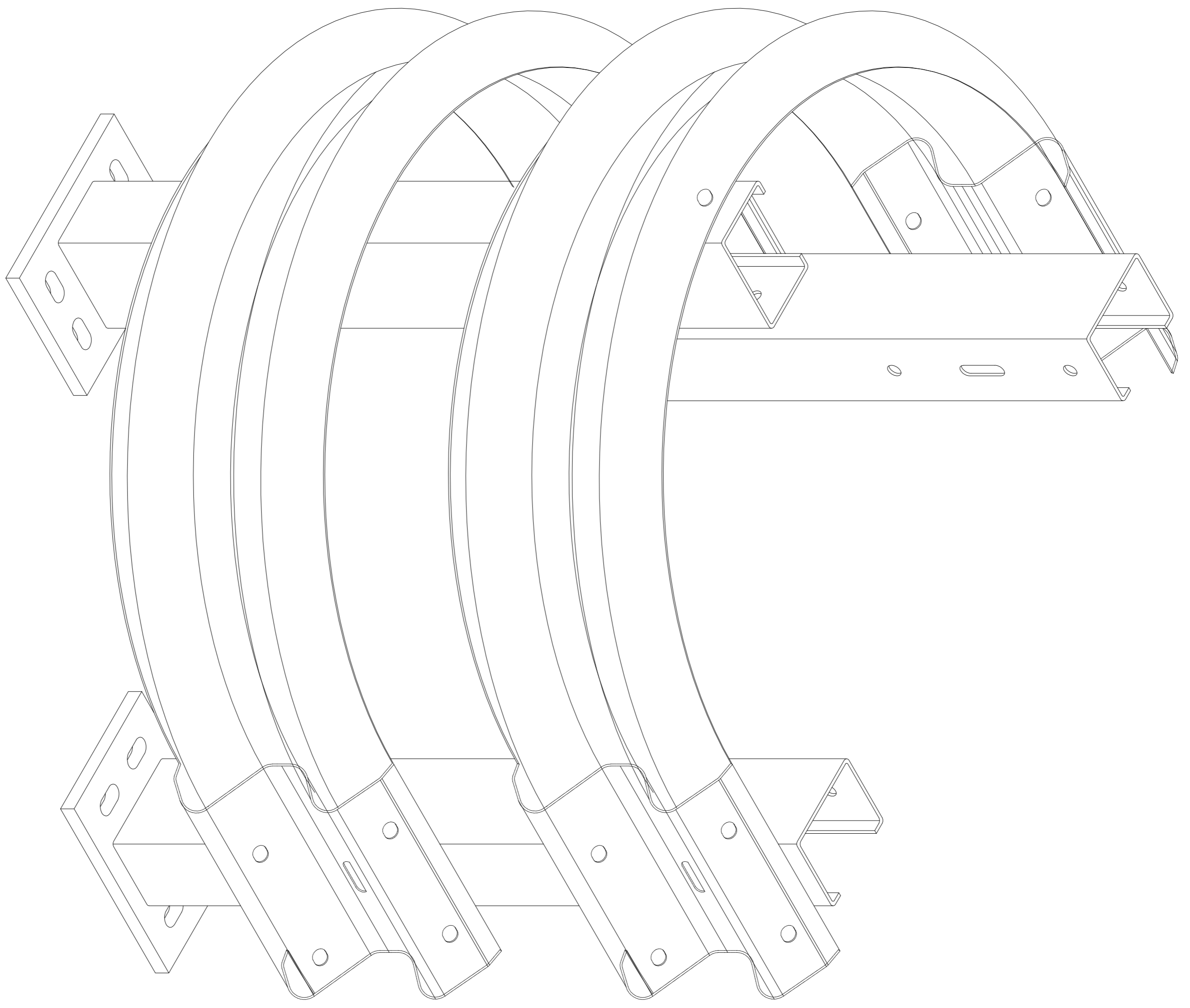
COLUMN GUARD TYPE 4			
GR-WB-053	DRAWN BY	AUSTEC DRAFTING	DIMENSIONS
	CHECKED	H. WALLACE	SCALE
	APPROVED	T. COLOUHOON	DATE
			mm
			NTS
			07.03.2014



PLAN



ELEVATION



ISO VIEW