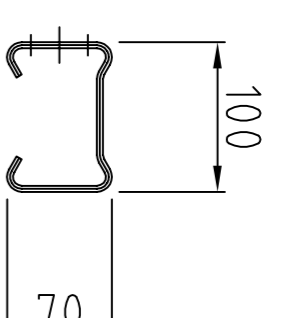
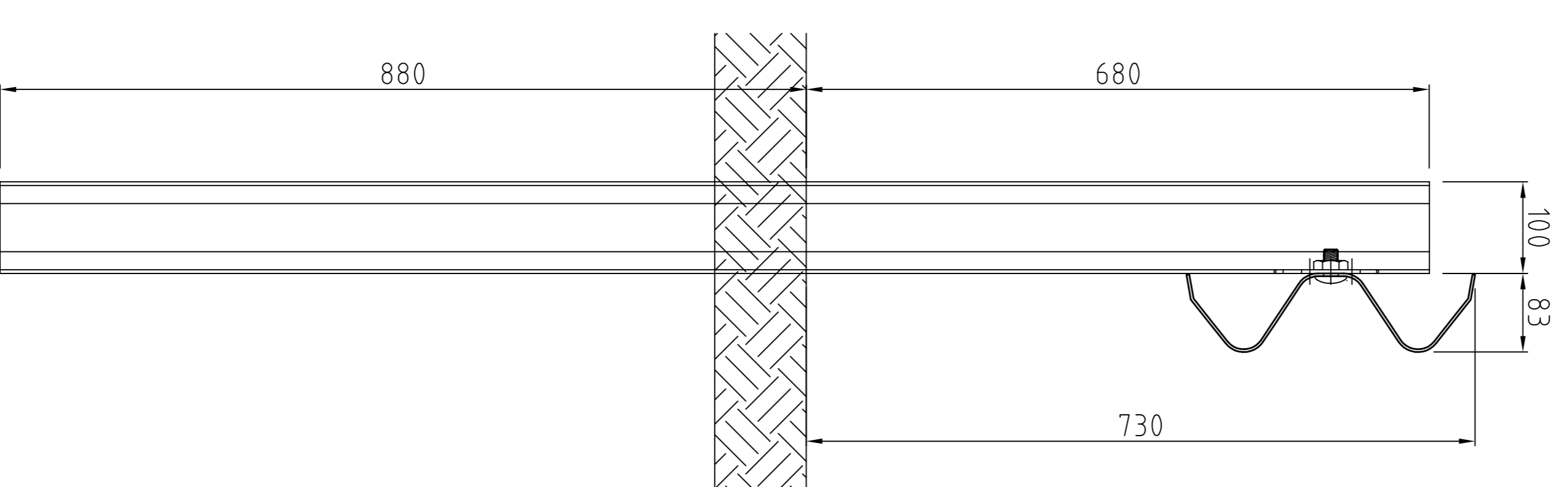


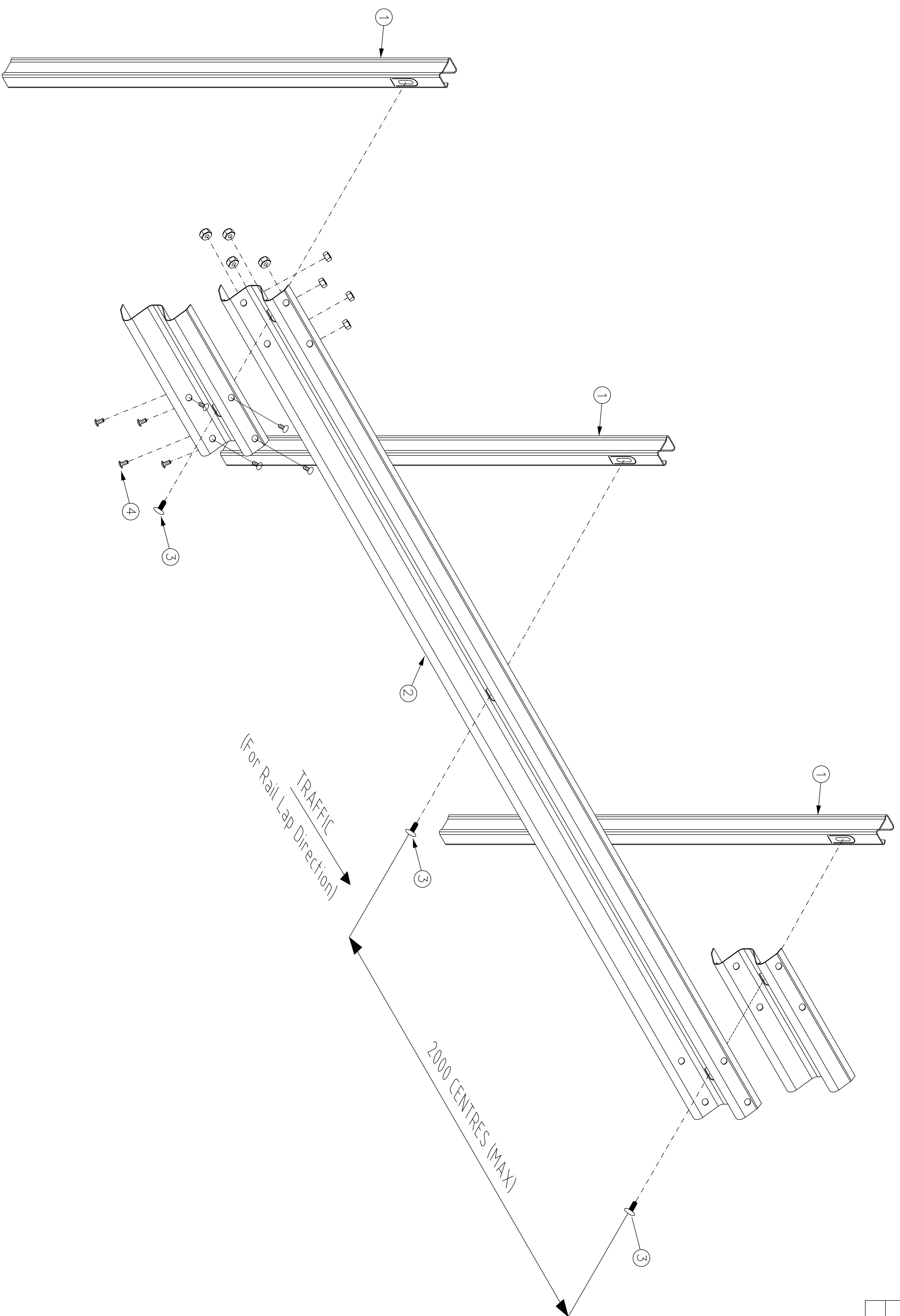
BILL OF MATERIALS	
ITEM	DESCRIPTION
1	RAMSHIELD POST
2	W-BEAM GUARDRAIL
3	M16 x 50mm POST BOLT & NUT
4	M16 x 32mm SPLICE BOLT & NUT




POST PLAN



POST ELEVATION



REVISIONS			
REV	DATE	DESCRIPTION	DRAWN
A	06.11.14	INITIAL ISSUE	DB



SAFE DIRECTION

RAMSHIELD™ ASSEMBLY

GR-WB-060

DRAWING DESCRIPTION	DRAWING REFERENCE	DRAWN BY	CHECKED	APPROVED
		AUSTEC DRAFTING	H. WALLACE	T. COLQUHOUN

DIMENSIONS	SCALE	NTS
mm		