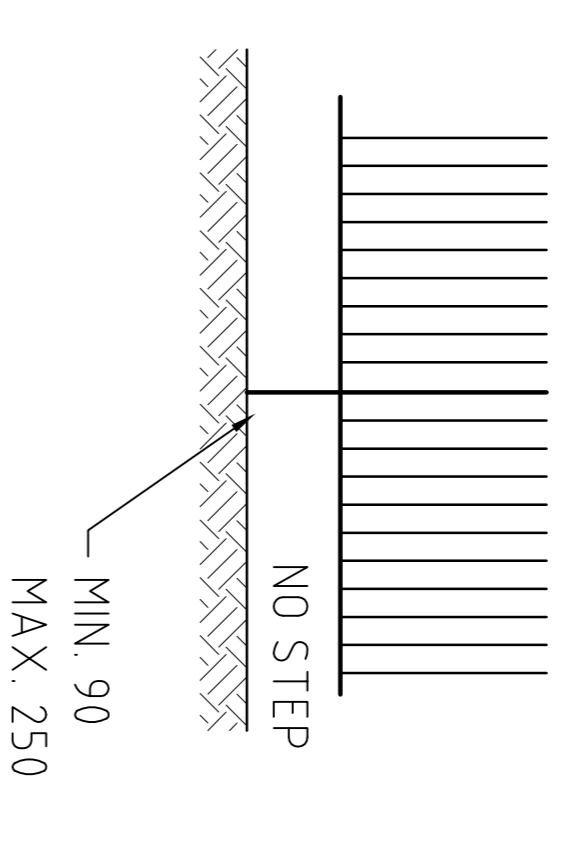
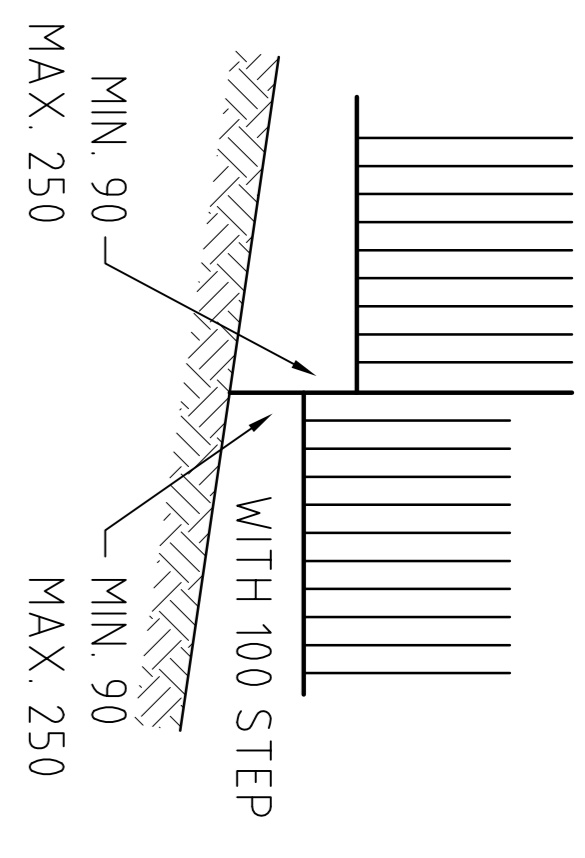
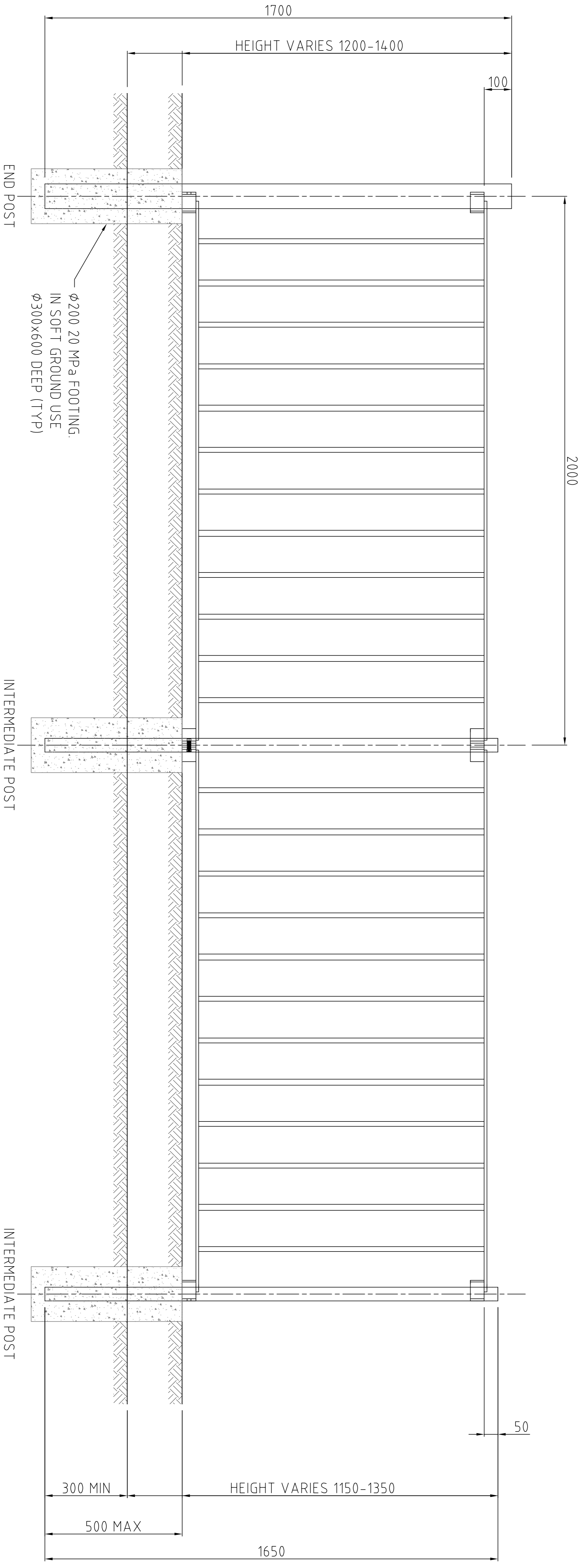


BALUSTER ORIENTATION



BOTTOM CLEARANCE DETAILS



ELEVATION

REVISIONS		
REV	DATE	DESCRIPTION
A	29.07.14	INITIAL ISSUE

DRAWN	DB
APPRD.	TC

REVISIONS		
REV	DATE	DESCRIPTION

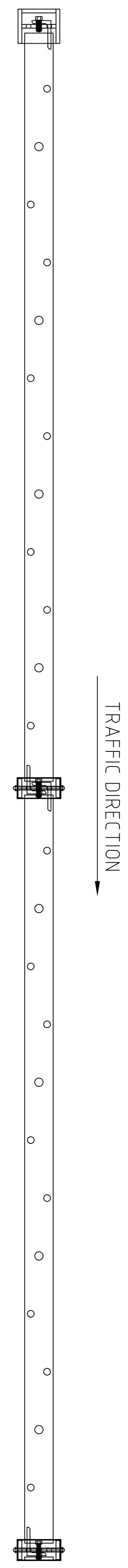
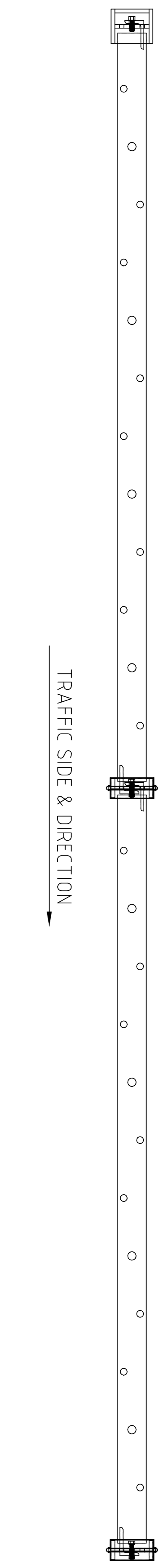
SAFE DIRECTION

DRAWING DESCRIPTION	DRAWING REFERENCE
---------------------	-------------------

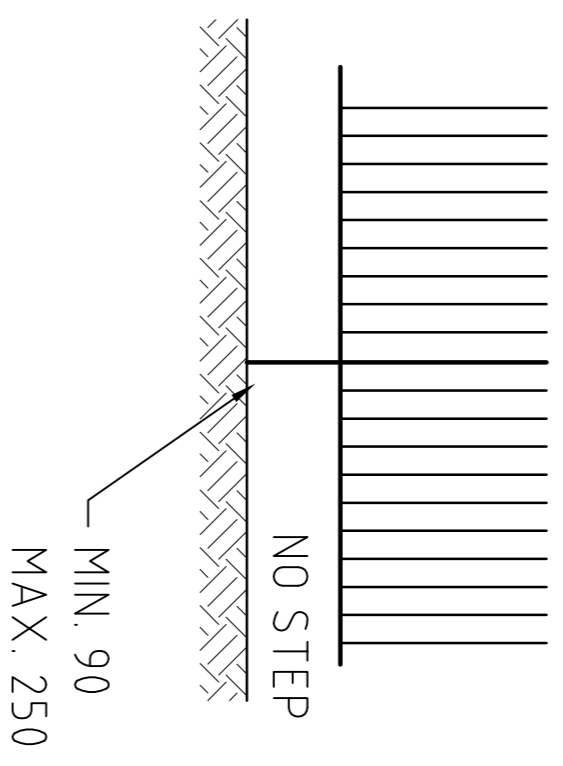
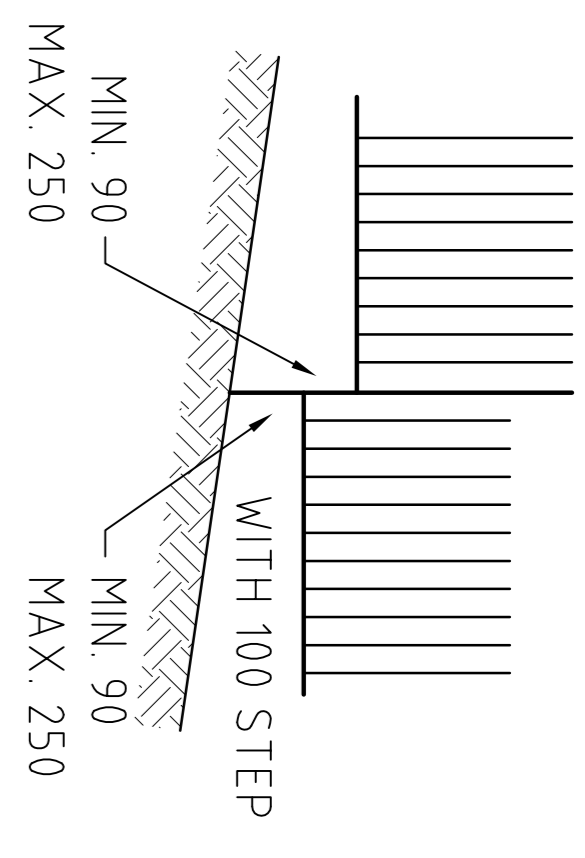
TYPE 1 PEDESTRIAN FENCE - CONCRETE FOOTINGS

PF-SD-001

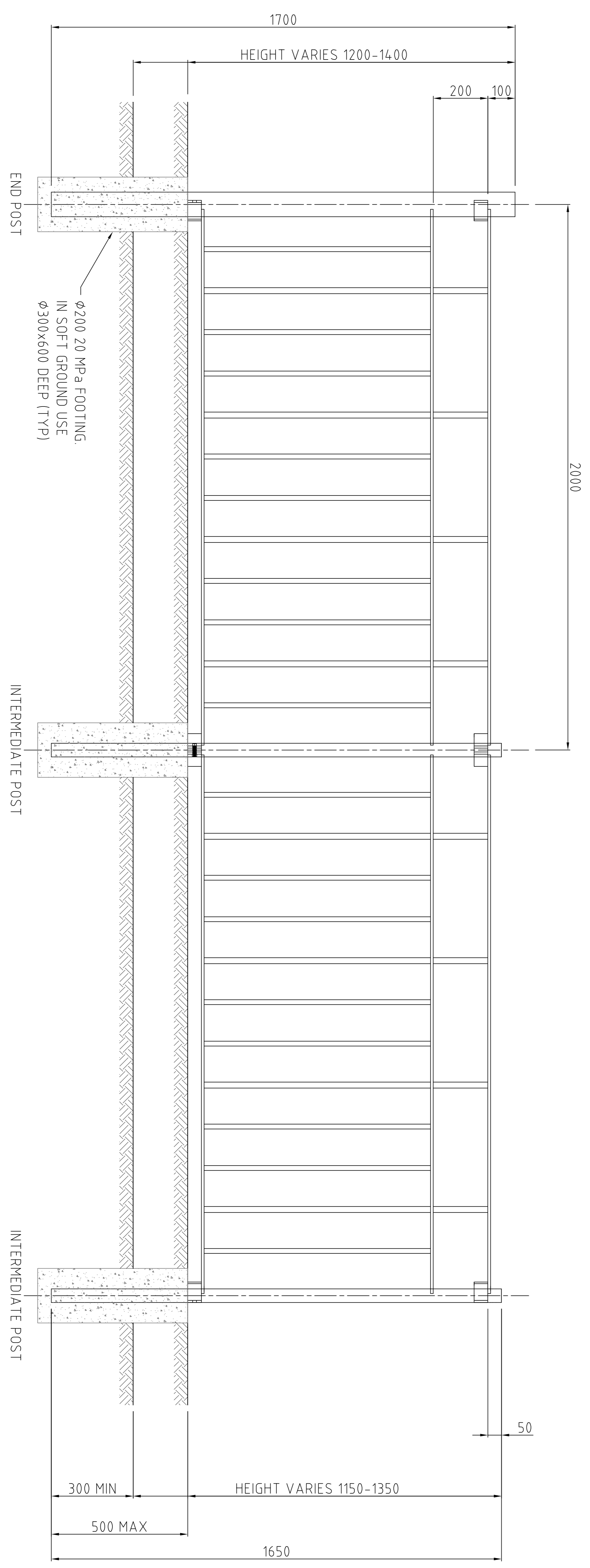
DRAWN BY		AUSTEC DRAFTING		DIMENSIONS	
CHECKED	H. WALLACE	SCALE		mm	
APPROVED	T. COLQUHOUN			NTS	



BALUSTER ORIENTATION



BOTTOM CLEARANCE DETAILS



ELEVATION

REVISIONS	
REV	DESCRIPTION
A	29.07.14 INITIAL ISSUE

DRAWN	DB
APPRD.	TC

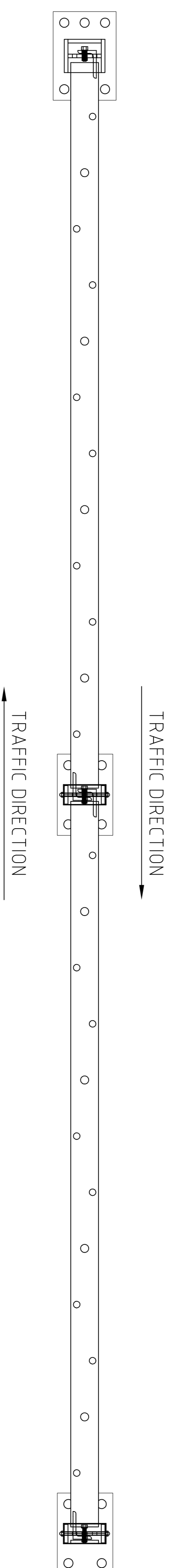
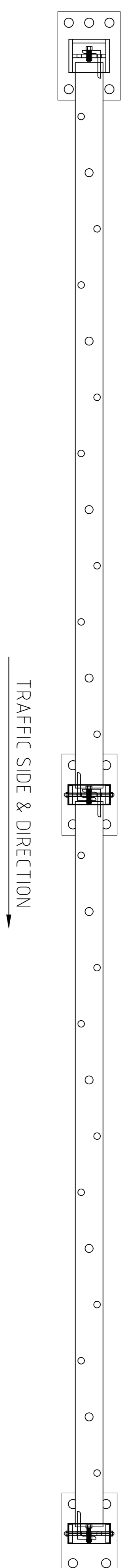
REVISIONS	
REV	DESCRIPTION

SAFE DIRECTION

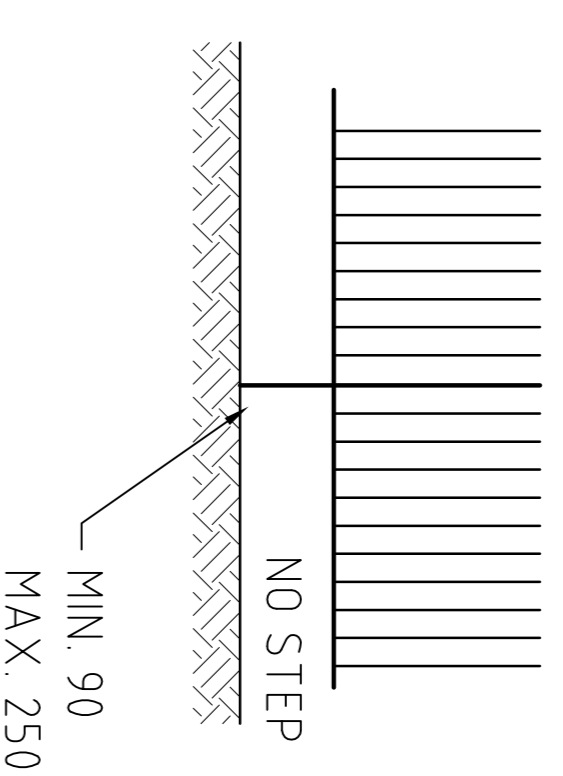
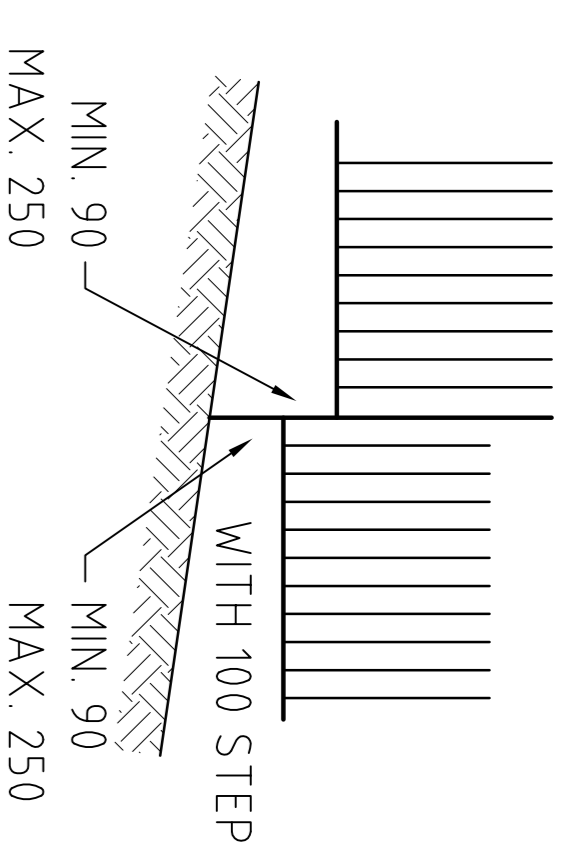
DRAWING DESCRIPTION
DRAWING REFERENCE

TYPE 5 PEDESTRIAN FENCE - CONCRETE FOOTINGS
PF-SD-002

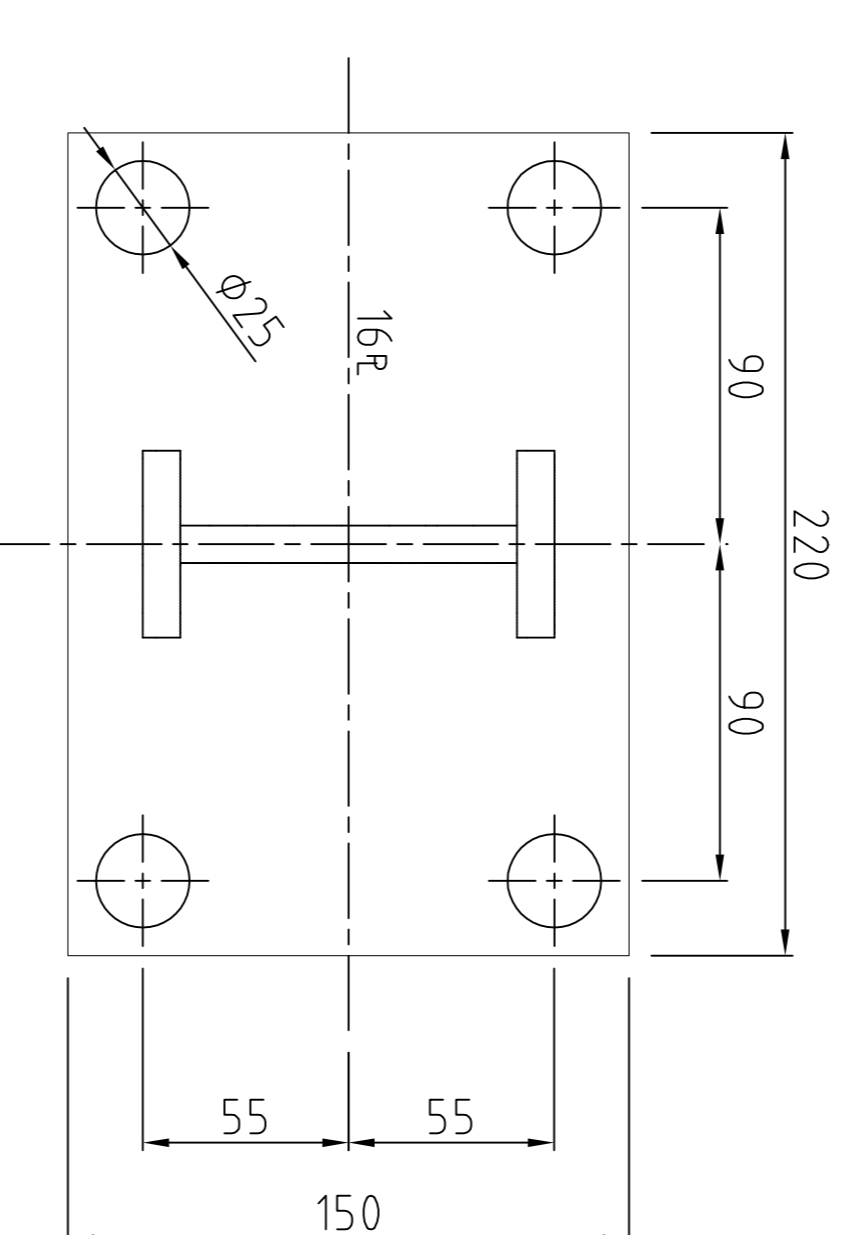
DRAWING DESCRIPTION		DRAWING REFERENCE		DIMENSIONS	
DRAWN BY	AUSTEC DRAFTING	CHECKED	H. WALLACE	SCALE	mm
T. COLQUHOUN		APPROVED			NTS



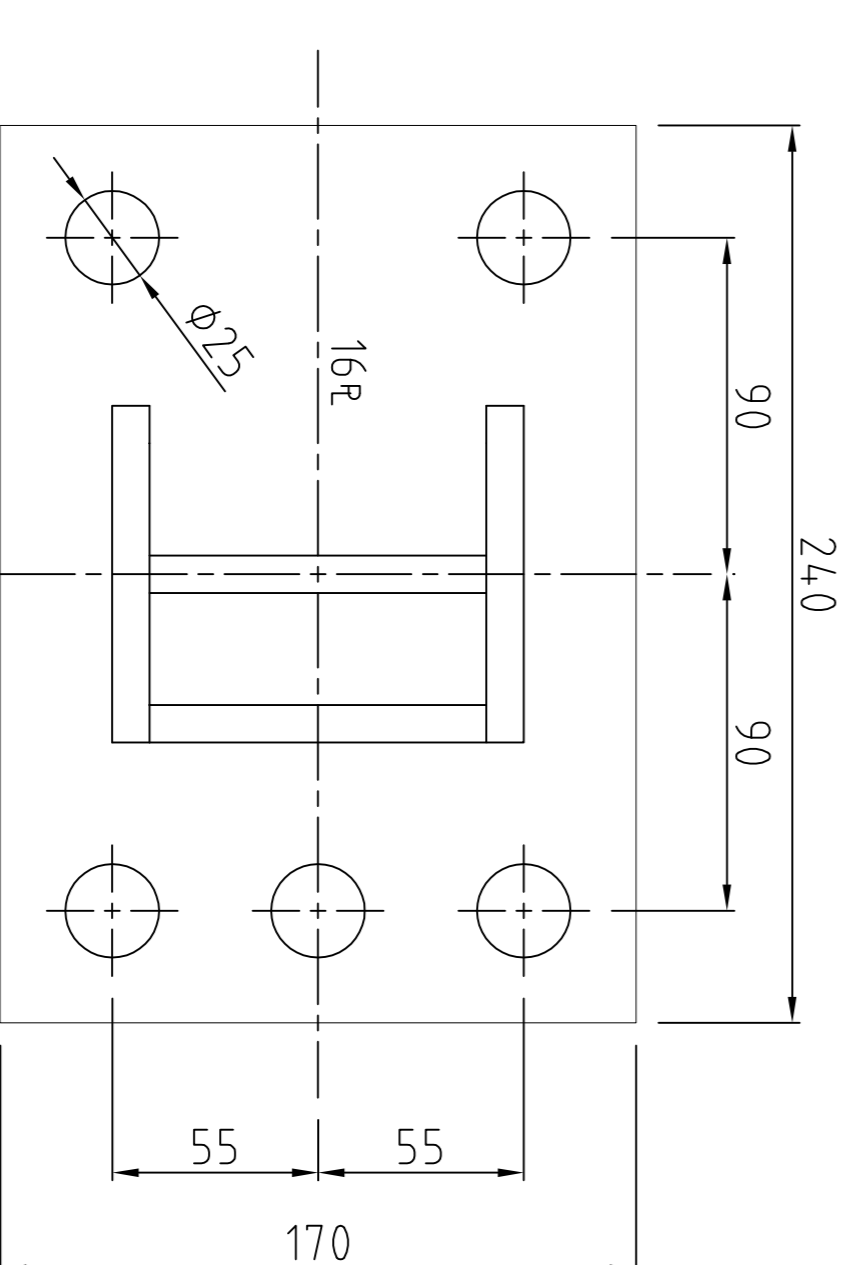
BALUSTER ORIENTATION



BOTTOM CLEARANCE DETAILS

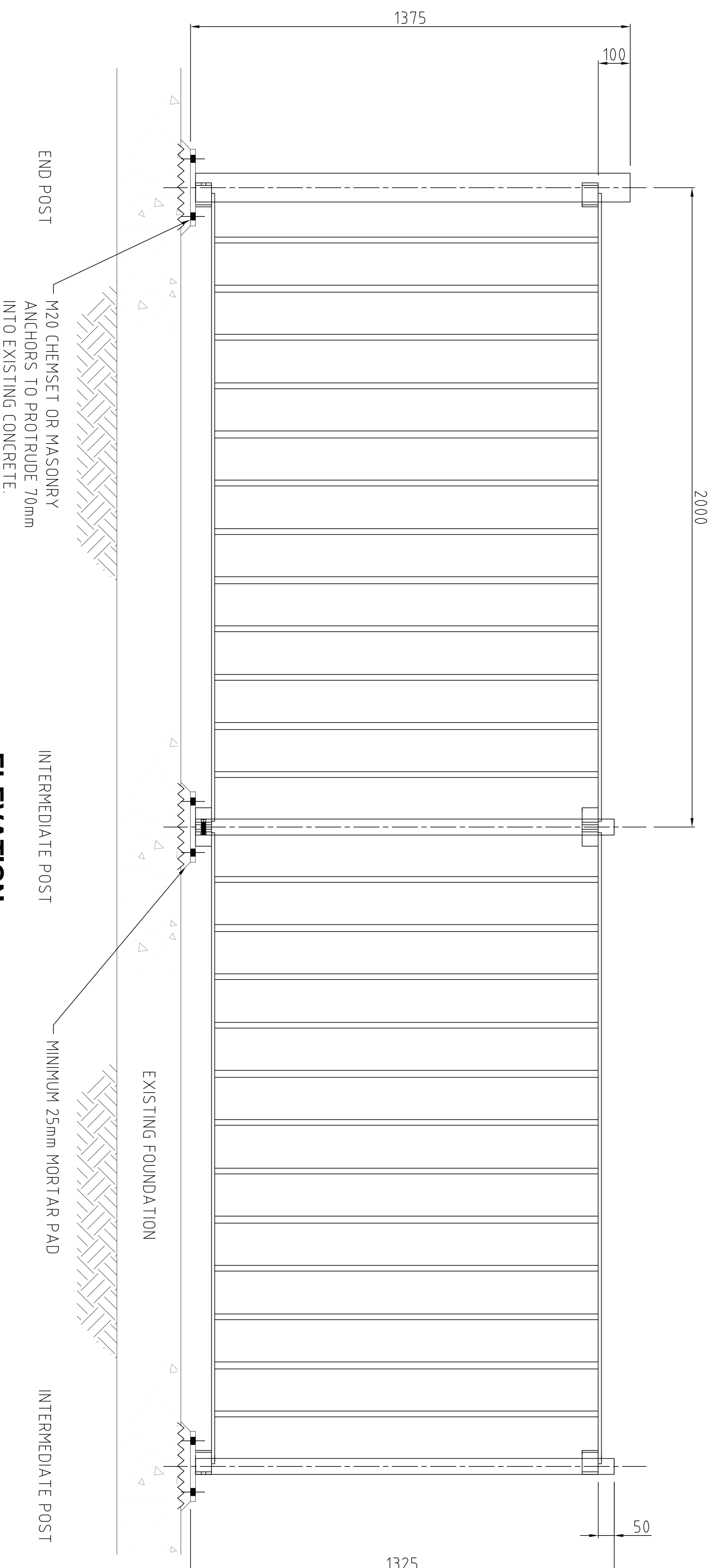


**INTERMEDIATE POST
BASE PLATE DETAIL**



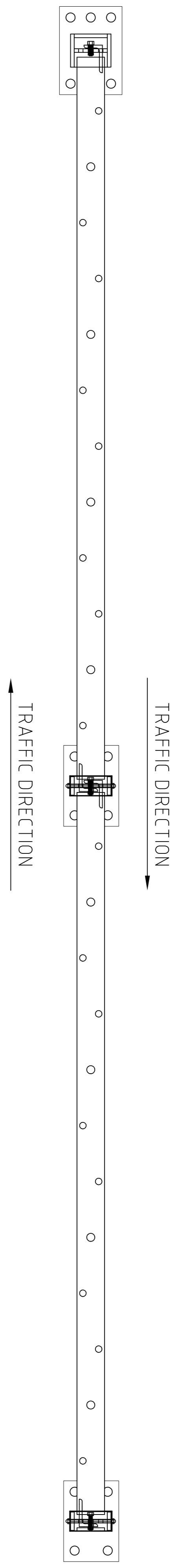
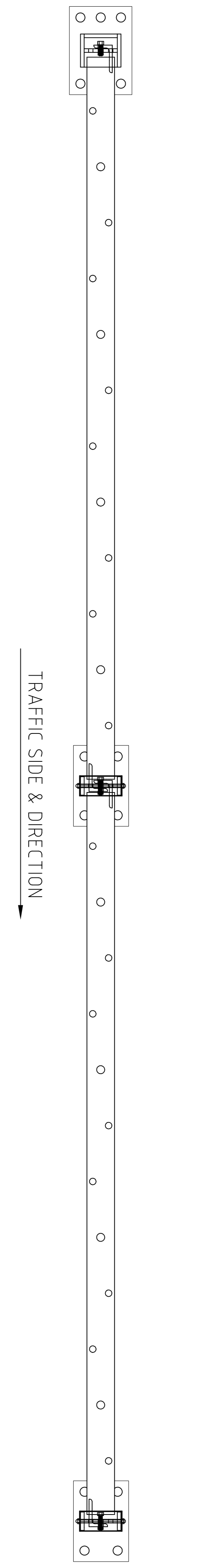
**END POST
BASE PLATE DETAIL**

ELEVATION

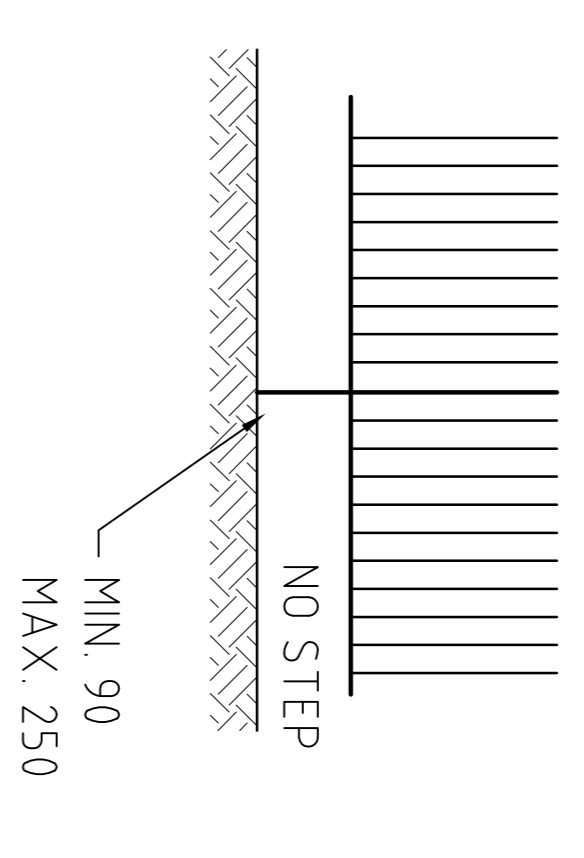
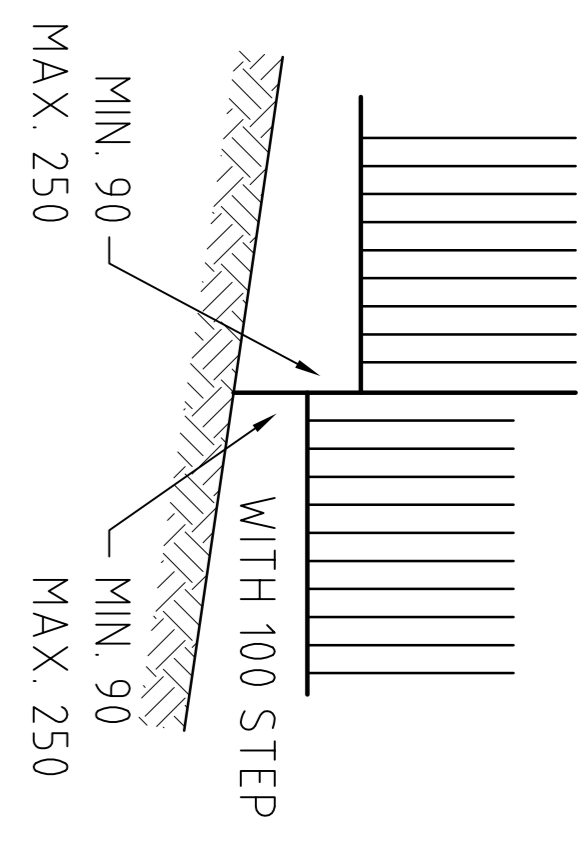


TYPE 1 PEDESTRIAN FENCE - BASE PLATES

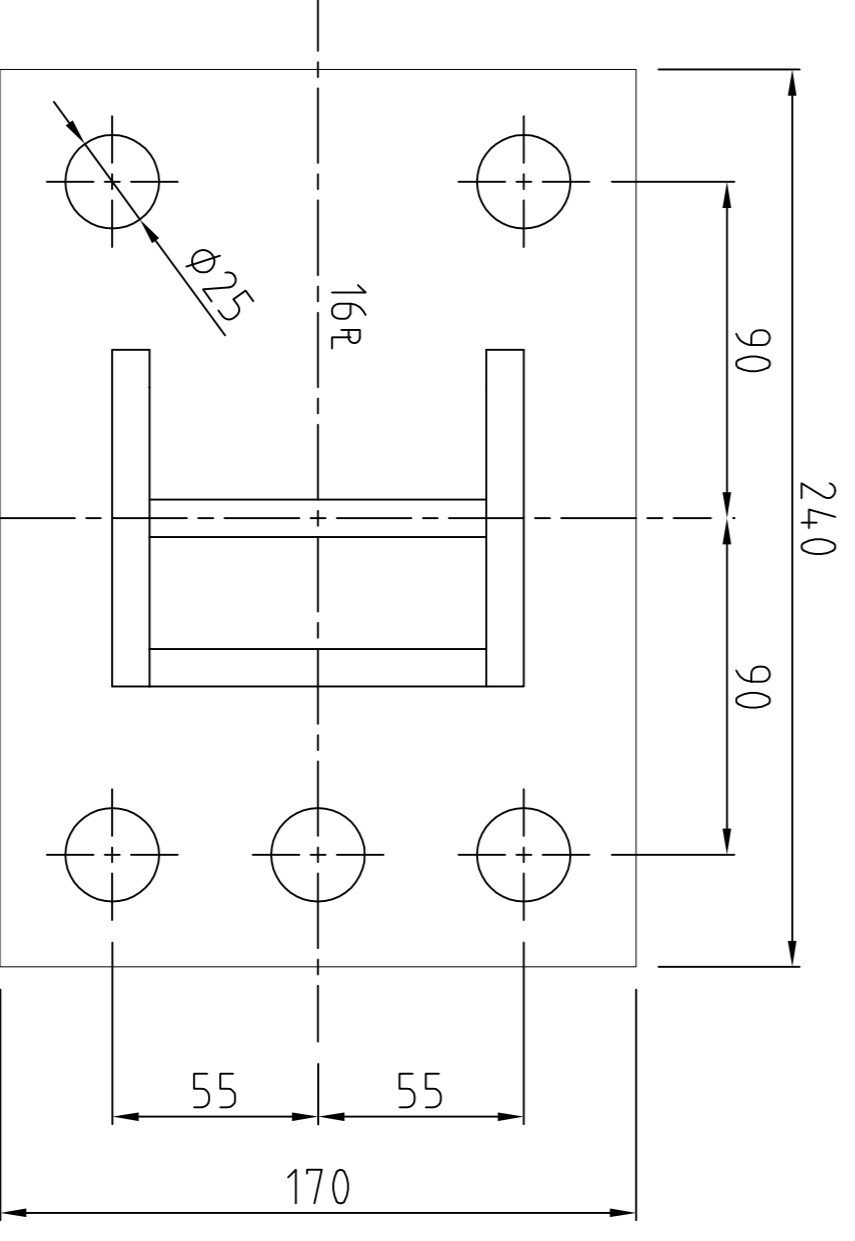
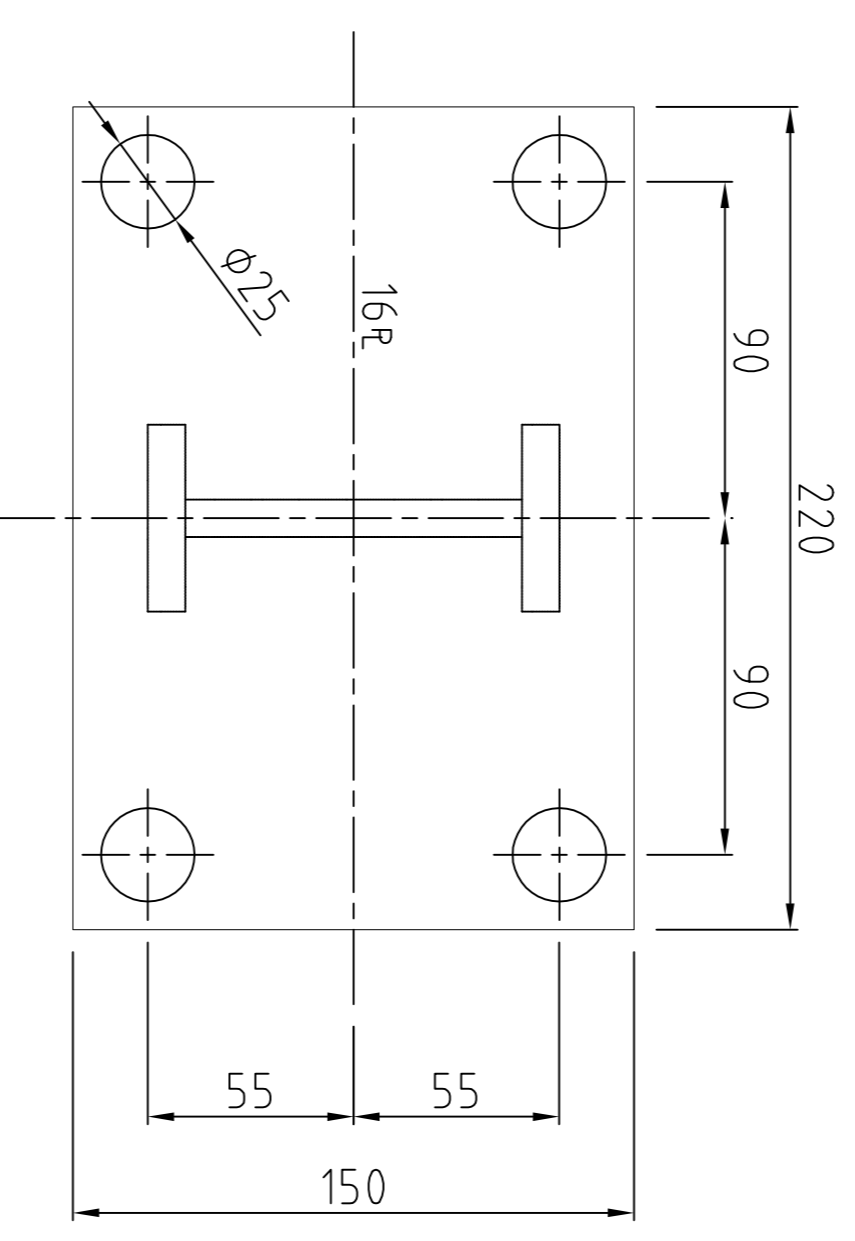
REVISIONS			REVISIONS			SAFE DIRECTION	DRAWING DESCRIPTION	DRAWING REFERENCE	TYPE 1 PEDESTRIAN FENCE - BASE PLATES	DIMENSIONS		
REV	DATE	DESCRIPTION	REV	DATE	DESCRIPTION					DRAWN BY	CHECKED	APPROVED
A	29.07.14	INITIAL ISSUE				DB			H. WALLACE	SCALE	NTS	
						TC			T. COLQUHOUN			



BALUSTER ORIENTATION

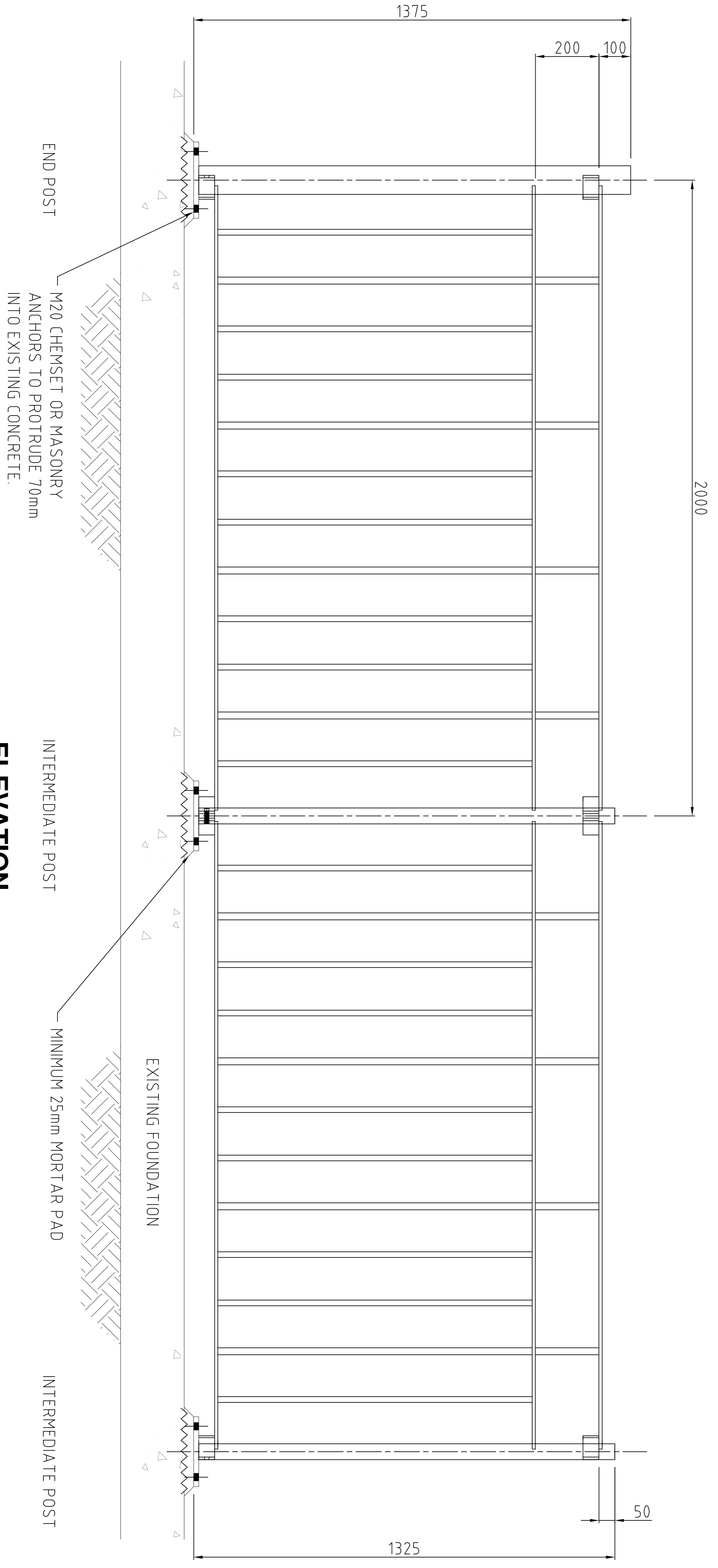


BOTTOM CLEARANCE DETAILS



**INTERMEDIATE POST
BASE PLATE DETAIL**

**END POST
BASE PLATE DETAIL**



ELEVATION

REVISIONS		
REV	DATE	DESCRIPTION
A	29.07.14	INITIAL ISSUE

REVISIONS		
REV	DATE	DESCRIPTION

SAFE DIRECTION

DRAWING DESCRIPTION	DRAWING REFERENCE

TYPE 5 PEDESTRIAN FENCE - BASE PLATES

PF-SD-004

DRAWN BY	AUSTEC DRAFTING	DIMENSIONS	mm
CHECKED	H. WALLACE	SCALE	NTS
APPROVED	T. COLQUHOUN		