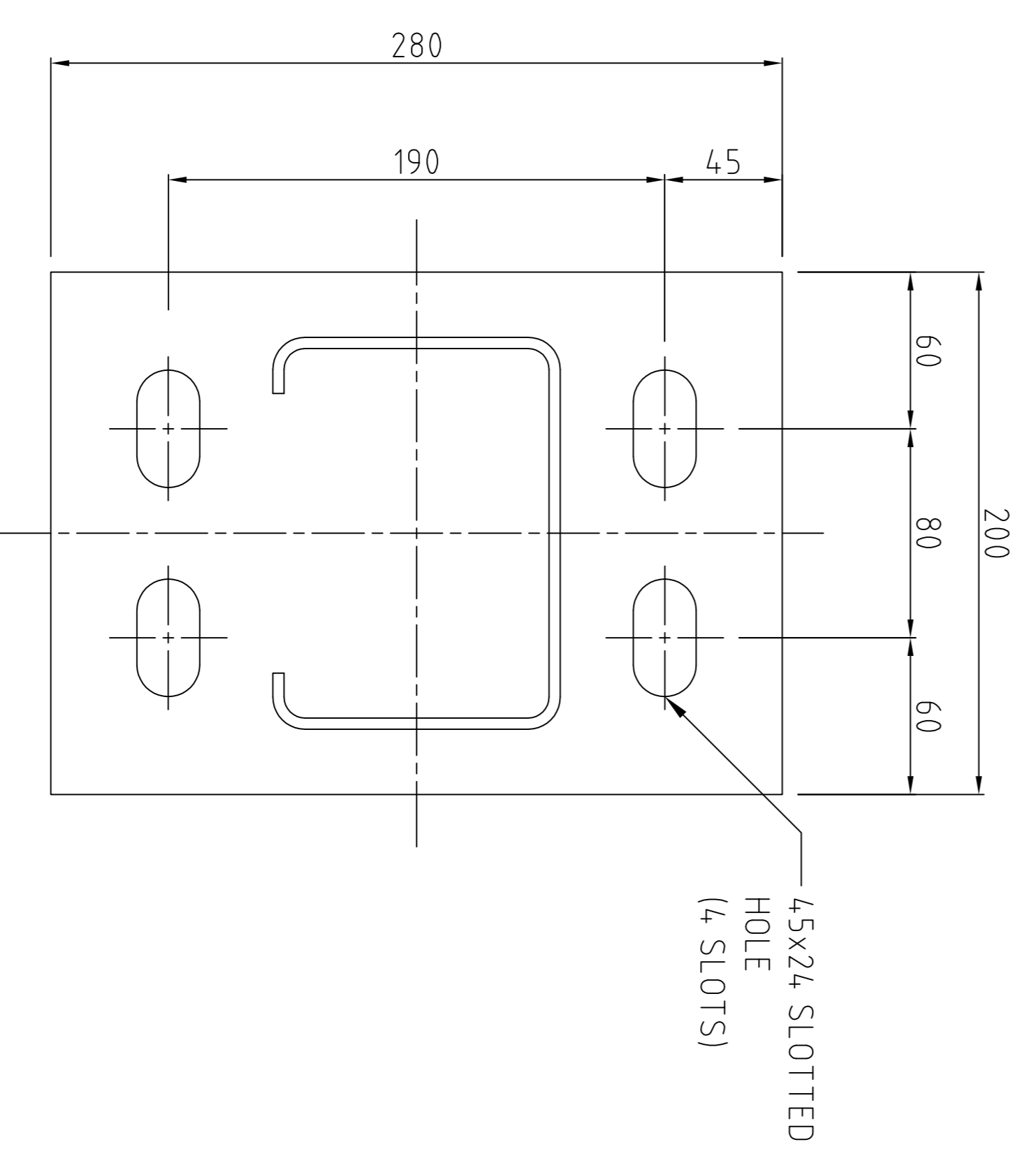
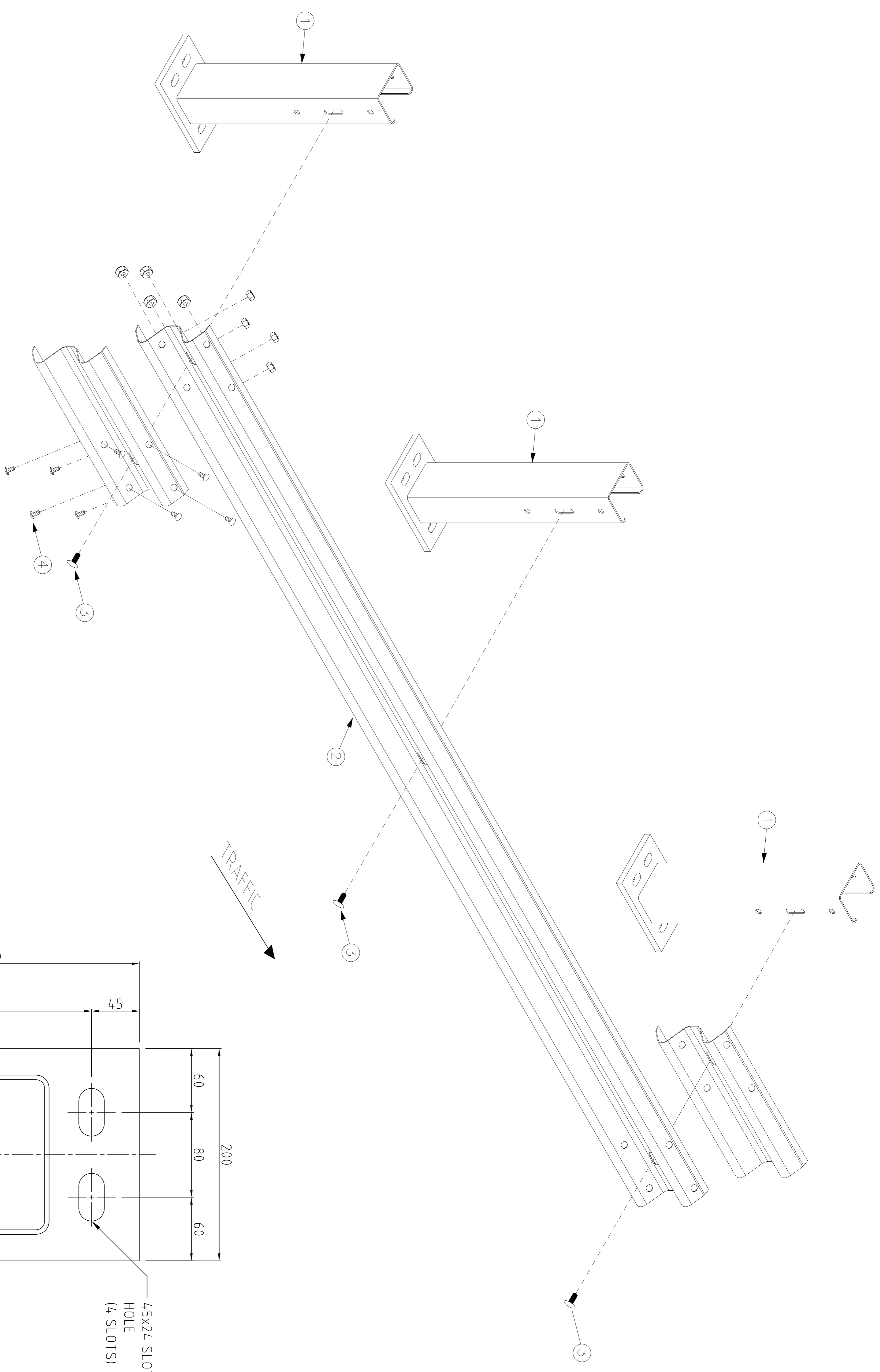
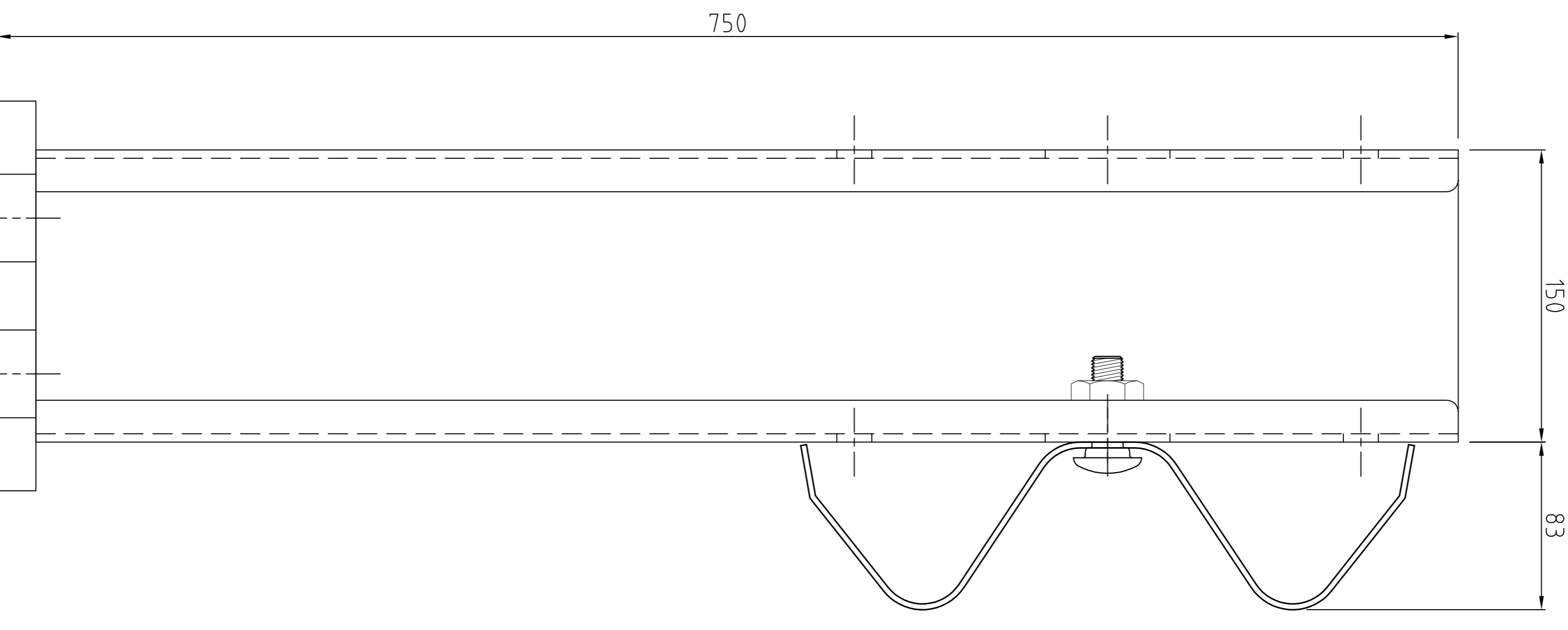


POST PLAN



BASE PLATE DETAIL



POST ELEVATION

BILL OF MATERIALS	
ITEM	DESCRIPTION
1	C-POST ON BASE PLATE
2	W-BEAM GUARDRAIL
3	M16 x 50mm POST BOLT & NUT
4	M16 x 32mm SPLICE BOLT & NUT

REVISIONS		
REV	DATE	DESCRIPTION
A	02.10.2013	INITIAL ISSUE

REVISIONS		
REV	DATE	DESCRIPTION



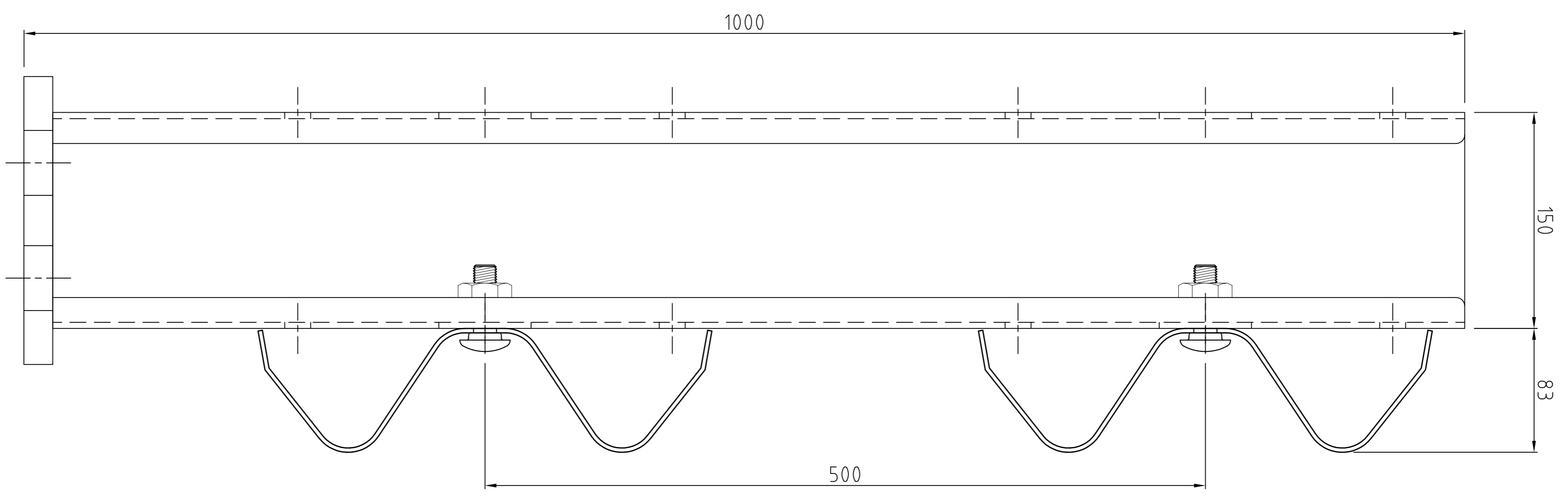
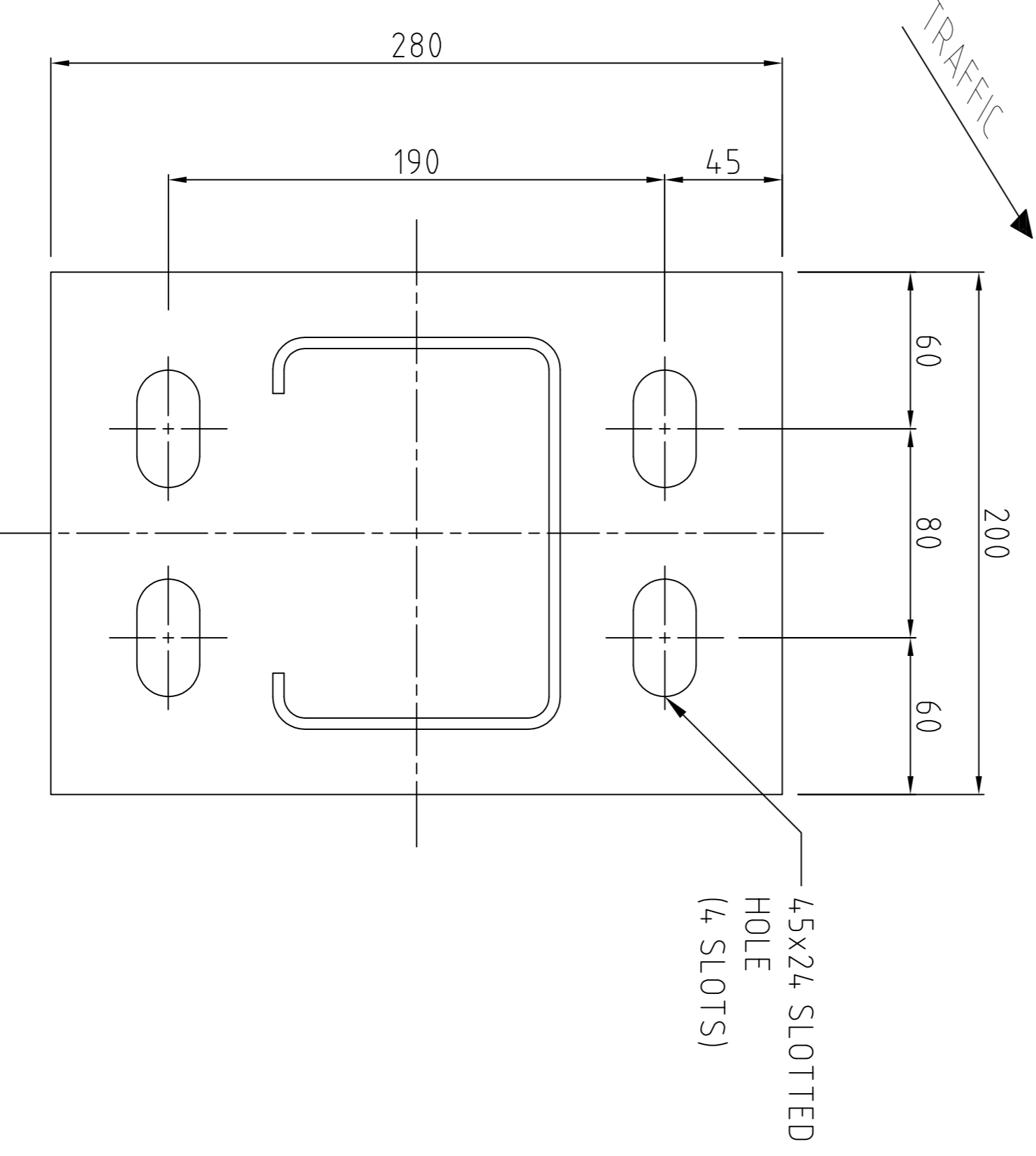
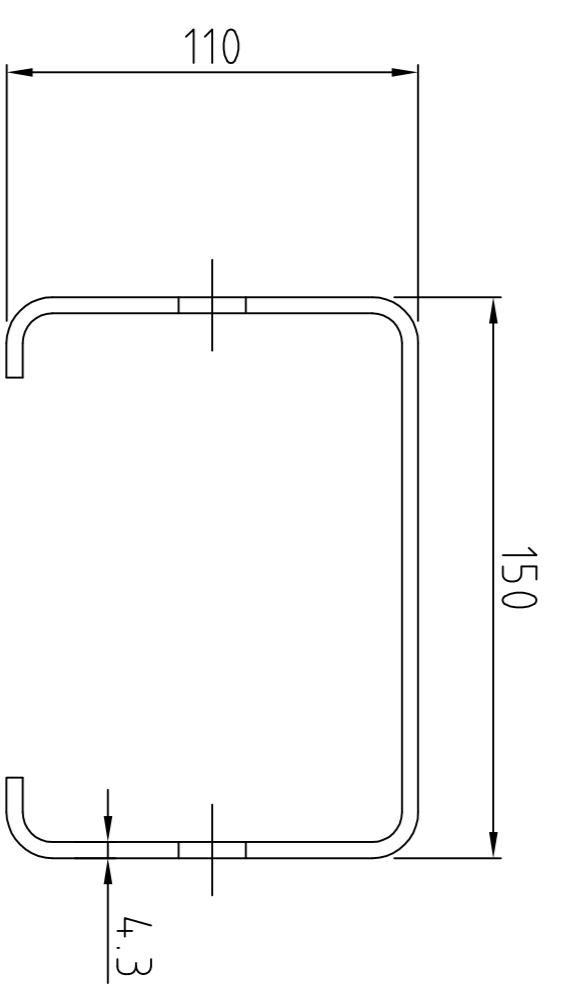
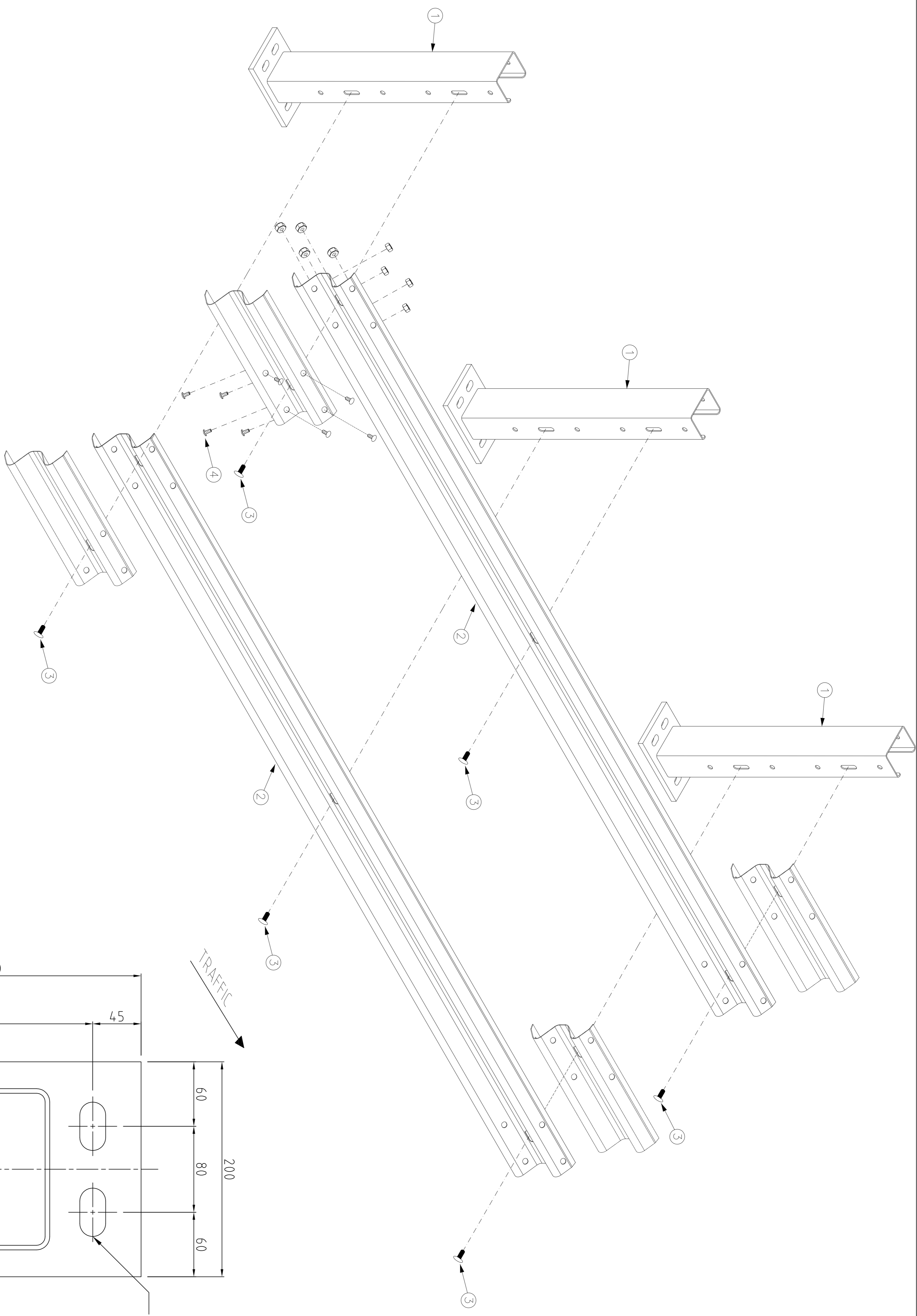
DRAWING DESCRIPTION

DRAWING REFERENCE

C-POST ON BASE PLATE & W BEAM ASSEMBLY	
DRAWN BY	AUSTEC DRAFTING
CHECKED	H. WALLACE
APPROVED	T. COLOUHQUN

GR-WB-003

DIMENSIONS	
SCALE	NTS



BILL OF MATERIALS

ITEM	DESCRIPTION
1	C-POST ON BASE PLATE
2	W-BEAM GUARDRAIL
3	M16 x 50mm POST BOLT & NUT
4	M16 x 32mm SPLICE BOLT & NUT

REVISIONS

REV	DATE	DESCRIPTION	DRAWN	APPRD.
A	10/10/2013	INITIAL ISSUE	DB	TC

REVISIONS

REV	DATE	DESCRIPTION	DRAWN	APPRD.



DRAWING DESCRIPTION

DRAWING REFERENCE

DRAWN BY

CHECKED

APPROVED

AUSTEC DRAFTING
H. WALLACE
T. COLUOHOUN

BASE PLATE DETAIL

POST ELEVATION

C-POST ON BASE PLATE & DOUBLE W-BEAM ASSEMBLY

GR-WB-004

DIMENSIONS
SCALE
NTS
mm

REVISIONS		
REV	DATE	DESCRIPTION
A	30.10.13	INITIAL ISSUE

REVISIONS		
REV	DATE	DESCRIPTION



DRAWING DESCRIPTION
DRAWING REFERENCE

U-POST ON BASE PLATE & W BEAM ASSEMBLY

GR-WB-010

DRAWN BY	AUSTEC DRAFTING	DIMENSIONS	mm
CHECKED	H. WALLACE	SCALE	NTS
APPROVED	T. COLQUHOUN		

BILL OF MATERIALS	
ITEM	DESCRIPTION
1	U-POST ON BASE PLATE
2	W-BEAM GUARDRAIL
3	M16 x 50mm POST BOLT & NUT
4	M16 x 32mm SPLICE BOLT & NUT

