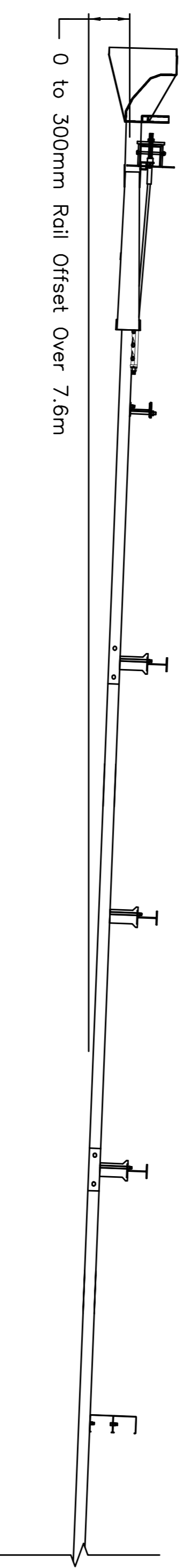
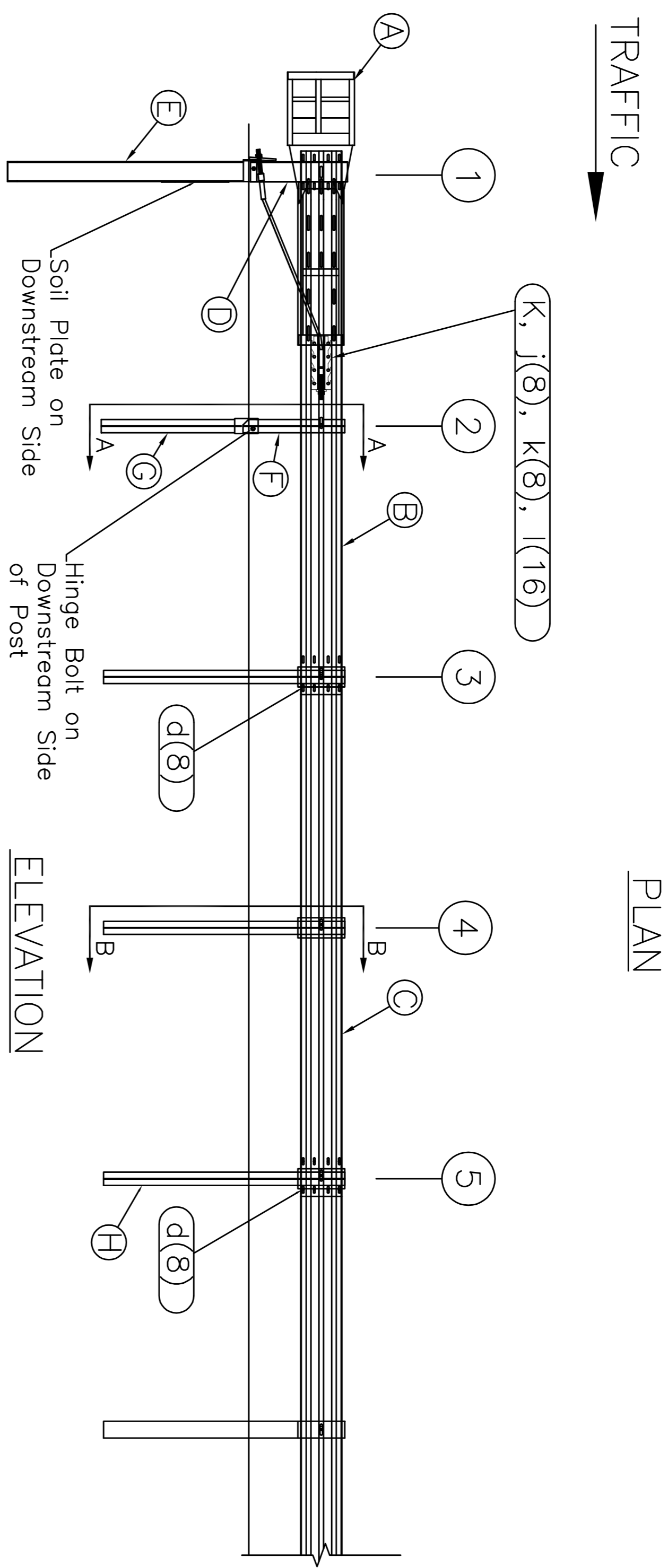
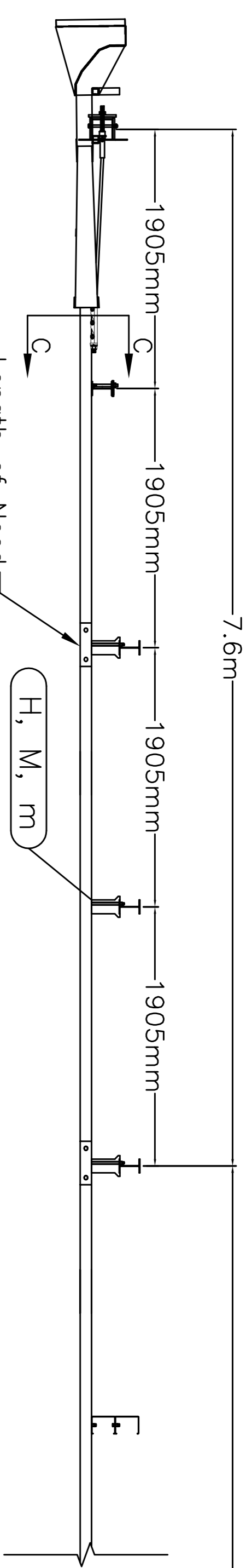


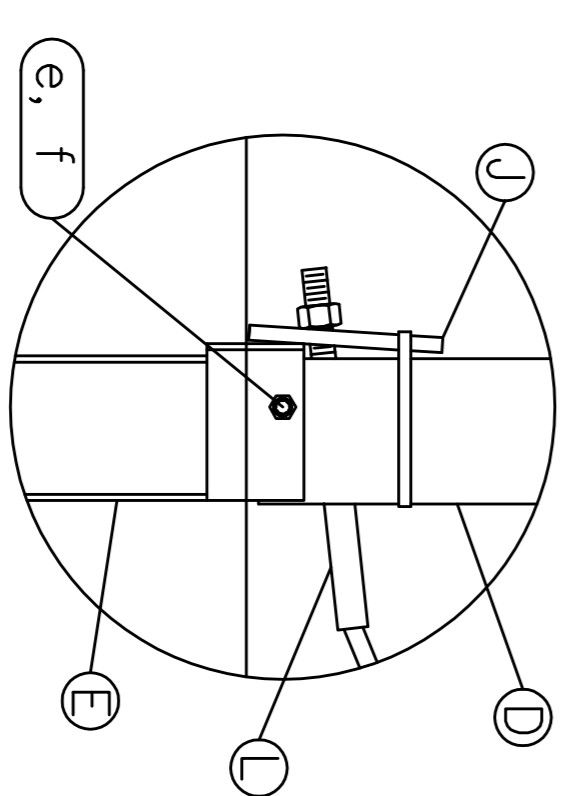
STANDARD POSTS &  
GUARDRAIL SECTIONS



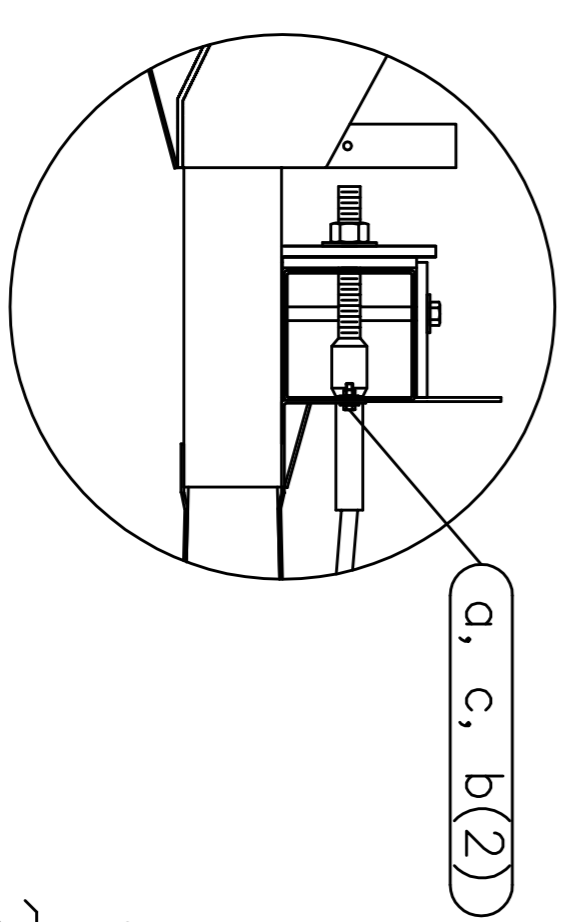
OPTIONAL FLARED INSTALLATION  
25:1 maximum flare rate

ITEM	QTY	BILL OF MATERIALS	ITEM NO.
A	1	SKT IMPACT HEAD	GE-EF-MX-3333-AG
B	1	SLOTTED ANCHOR RAIL	GE-WB-SR-3810-BG
C	1	W-BEAM GUARDRAIL 3810	GR-WB-SR-3810-AG
D	1	TOP POST 1	GE-PG-IS-0650-BG
E	1	BOTTOM POST 1	GE-PG-IS-1900-BG
F	1	TOP POST 2	GE-PG-IS-0700-AG
G	1	BOTTOM POST 2	GE-PG-IS-1100-AG
H	3	STEEL LINE POST	GE-PG-IS-1830-CG
J	1	BEARING PLATE	GE-EF-MX-0011-AG
K	1	ANCHOR CABLE BRACKET	GE-EF-MX-0015-AG
L	1	CABLE ASSEMBLY	GE-EF-MX-2000-AG
M	3	COMPOSITE BLOCK	GE-BL-SS-0310-AS
HARDWARE			
a	2	5/16" x 1" HEX BOLT	GE-FS-56-0001-HG
b	4	5/16" WASHER	GE-FS-56-0000-AG
c	2	5/16" NUT	GE-FS-56-0000-HG
d	17	M16 x 32mm SPLICE BOLT/NUT	GR-FS-16-0016-MG
e	1	M16 x 220mm BOLT/NUT/WASHER	GE-FS-16-0220-HG
f	1	M16 WASHER	GE-FS-16-0000-CG
g	1	M20 x 220mm BOLT/NUT/WASHER	GE-FS-20-0220-HG
h	1	M20 WASHER	GE-FS-20-0000-BG
j	8	1/2" x 1 1/4" ANCHOR BRACKET SHOULDER BOLT	GE-FS-12-0114-HG
k	8	1/2" ANCHOR BRACKET NUT	GE-FS-12-0000-HG
l	16	1/2" ANCHOR BRACKET WASHER	GE-FS-12-0000-AG
m	3	M16 x 255mm POST BOLT/NUT	GE-FS-16-0255-NG

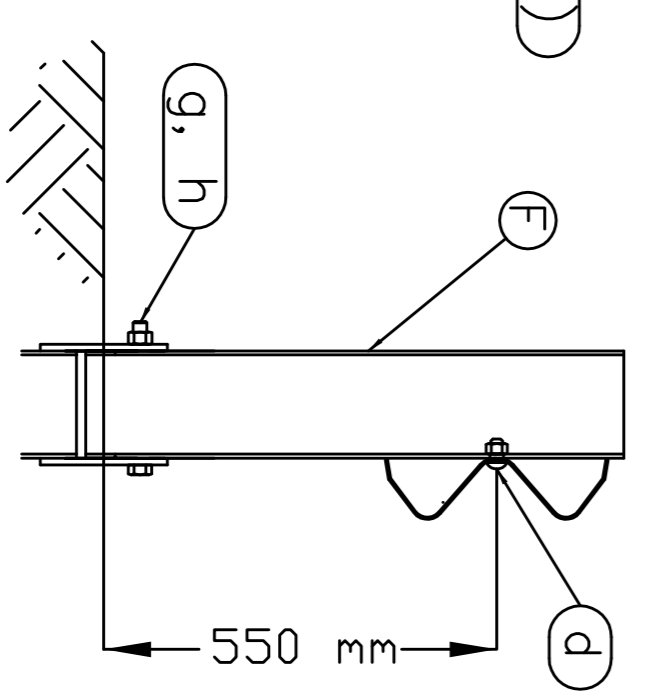
- NOTES:
1. THE LOWER SECTIONS OF POSTS 1 & 2 SHALL NOT PROTRUDE MORE THAN 100mm ABOVE GROUND.
  2. THE CABLE ASSEMBLY MUST BE TAUT.



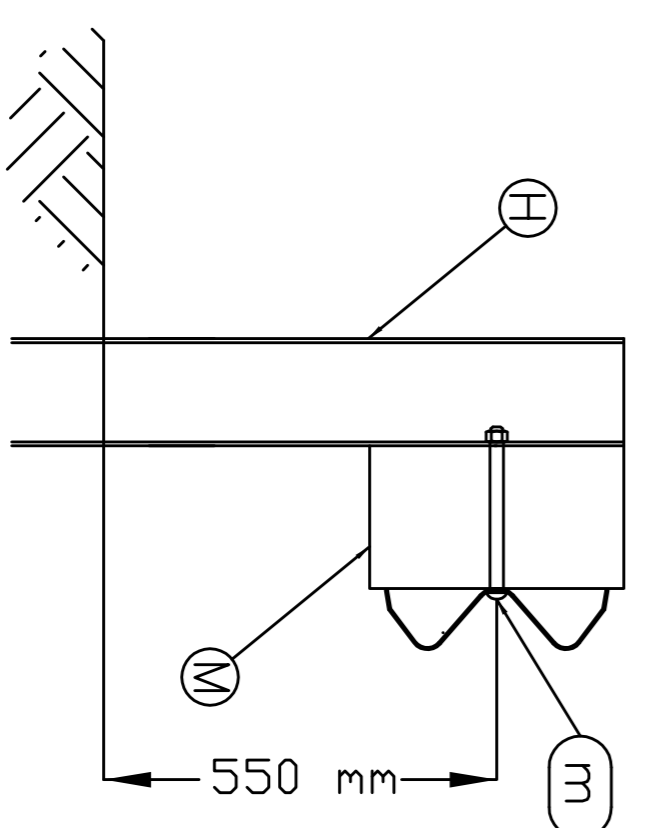
Post #1 Connection Detail



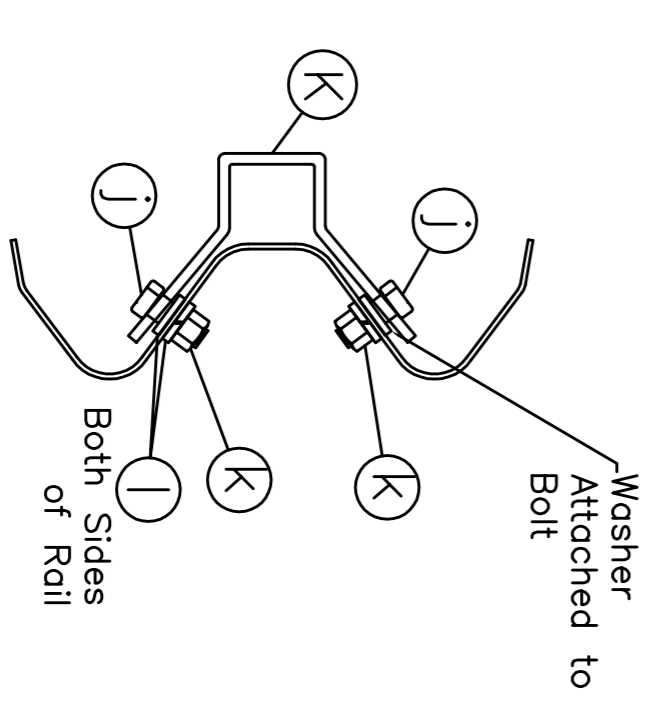
Impact Head Connection Detail



SECTION A-A  
Post #2



SECTION B-B  
Posts #3 thru #5



SECTION C-C  
Anchor Bracket

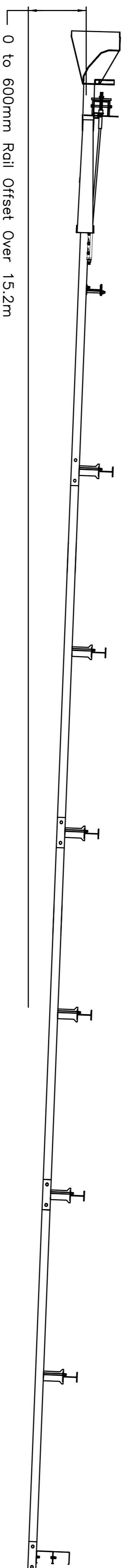
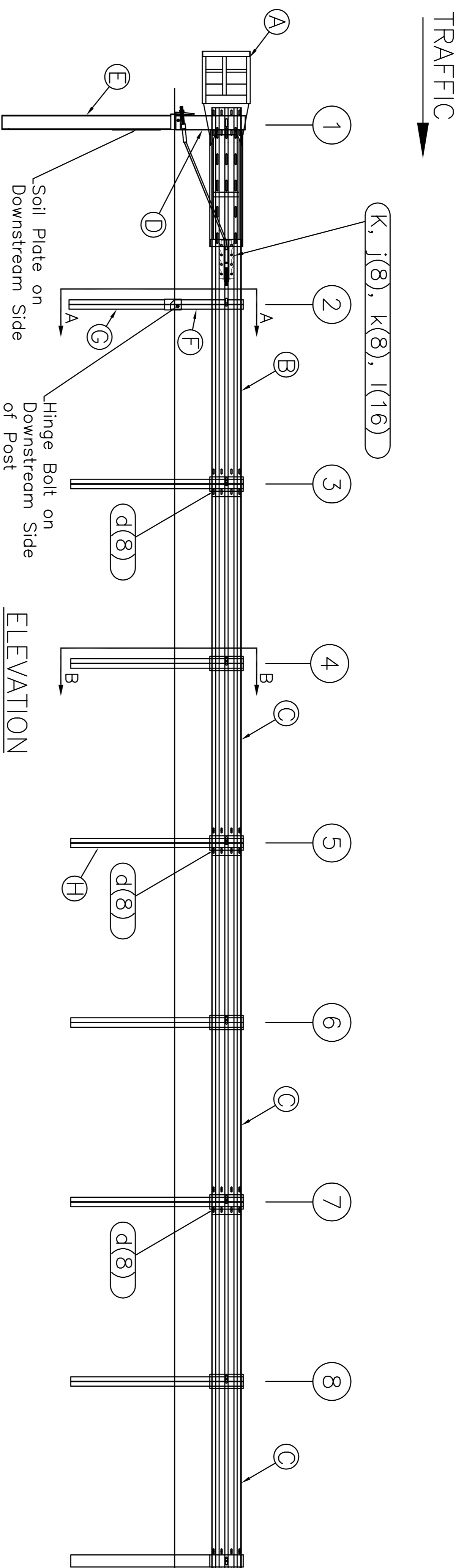
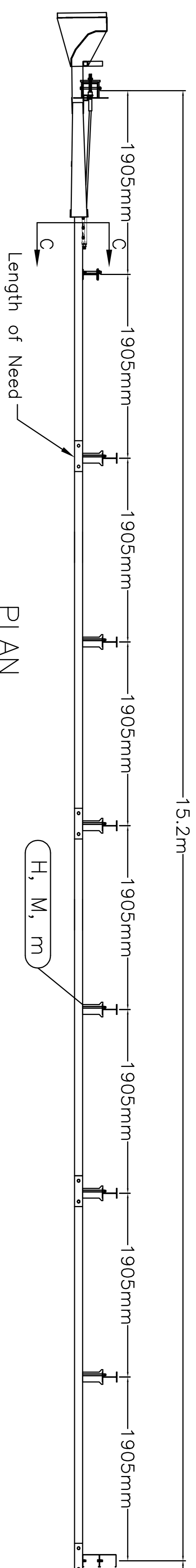
REVISIONS		
E	26.04.13	REVISED AND REISSUED FOR REVIEW
D	23.04.13	REVISED AND ISSUED FOR REVIEW
C	07.03.13	INITIAL ISSUE
B	06.03.13	ISSUED FOR APPROVAL
A	01.03.13	ISSUED FOR REVIEW

REVISIONS		
F	21.05.13	ISSUED FOR APPROVAL
G	03.09.14	REISSUED FOR APPROVAL

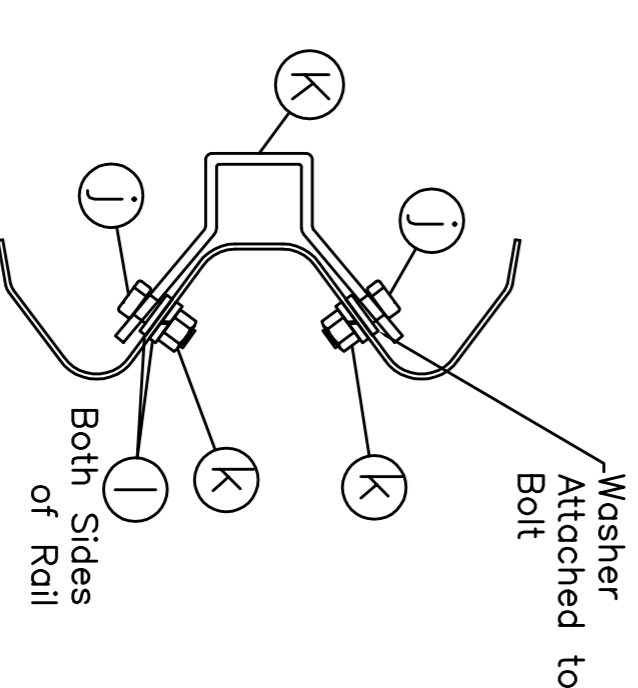
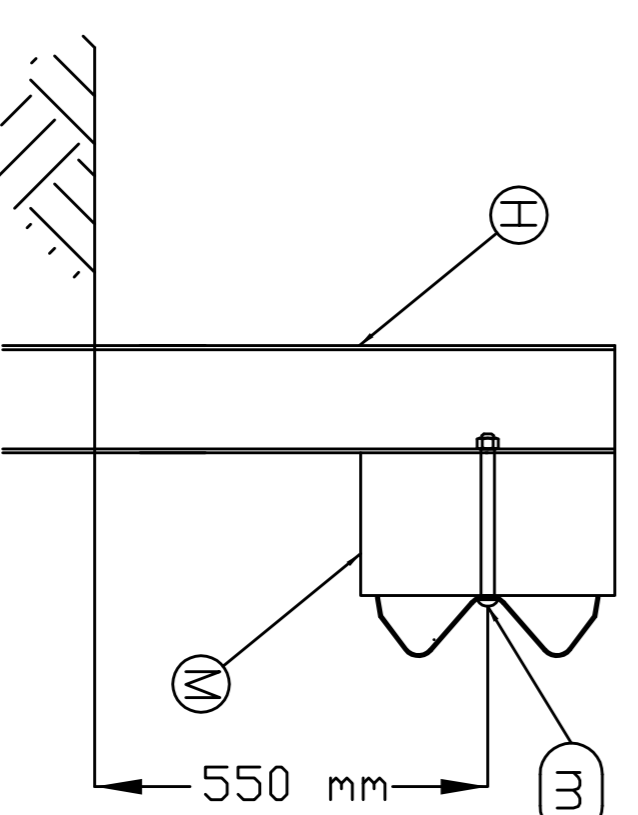
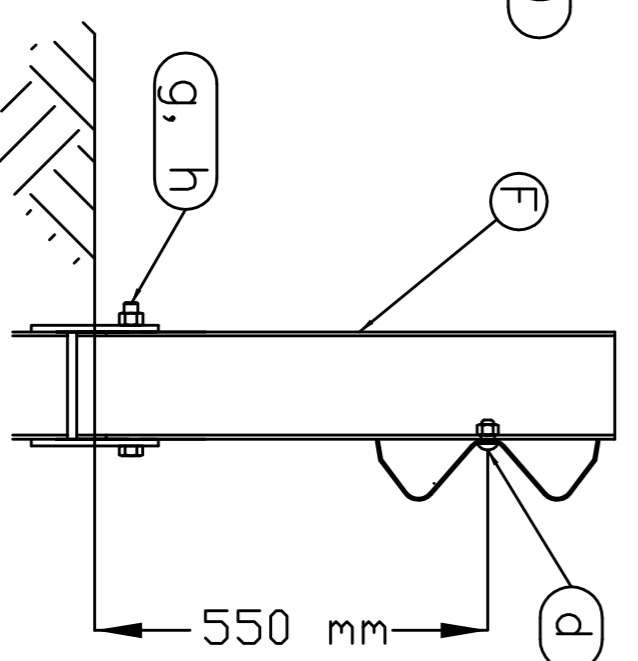
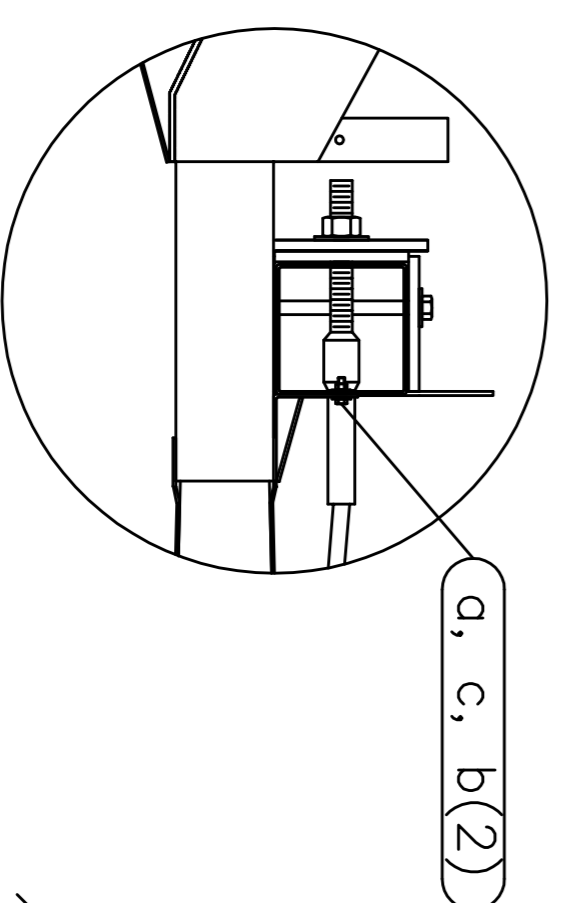
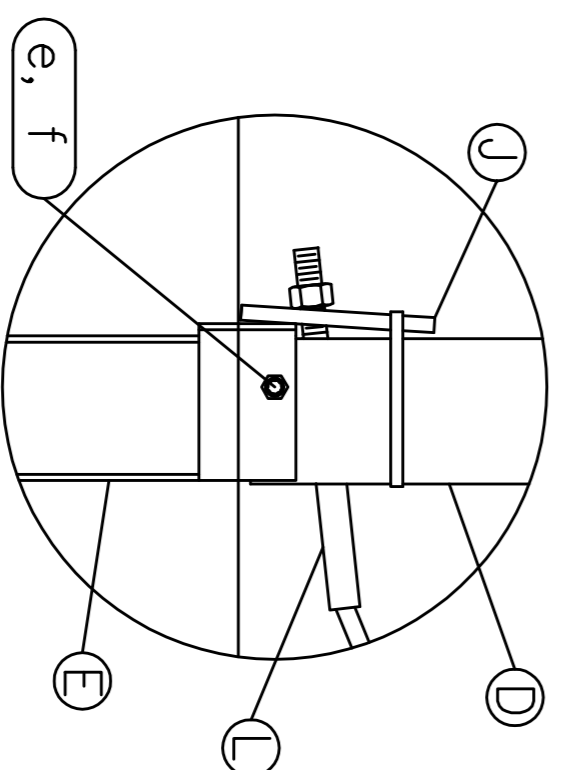
SAFE DIRECTION

DRAWING DESCRIPTION		DRAWING REFERENCE	
NCHRP-350 TL2 SKT-SP TERMINAL		K-SKT SP TL2	
DRAWN BY	AUSTEC DRAFTING	CHECKED	H. WALLACE
APPROVED	T. COLQUHOUN	SCALE	NTS
DIMENSIONS		mm	

STANDARD POSTS &  
GUARDRAIL SECTIONS



OPTIONAL FLARED INSTALLATION  
25:1 maximum flare rate



Post #1 Connection Detail

Impact Head Connection Detail

SECTION A-A  
Post #2

SECTION B-B  
Posts #3 thru #8

SECTION C-C  
Anchor Bracket

ITEM	QTY	BILL OF MATERIALS	ITEM NO.
A	1	SKT IMPACT HEAD	GE-EF-NX-3333-AG
B	1	SLOTTED ANCHOR RAIL	GE-WB-SR-3810-BG
C	3	W-BEAM GUARDRAIL 3810	GR-WB-SR-3810-AG
D	1	TOP POST 1	GE-PG-IS-0650-BG
E	1	BOTTOM POST 1	GE-PG-IS-1900-BG
F	1	TOP POST 2	GE-PG-IS-0700-AG
G	1	BOTTOM POST 2	GE-PG-IS-1100-AG
H	6	STEEL LINE POST	GE-PG-IS-1830-CG
J	1	BEARING PLATE	GE-EF-MX-0011-AG
K	1	ANCHOR CABLE BRACKET	GE-EF-MX-0015-AG
L	1	CABLE ASSEMBLY	GE-EF-NX-2000-AG
M	6	COMPOSITE BLOCK	GE-BL-SS-0310-AS
HARDWARE			
a	2	5/16" x 1" HEX BOLT	GE-FS-56-0001-HG
b	4	5/16" WASHER	GE-FS-56-0000-AG
c	2	5/16" NUT	GE-FS-56-0000-HG
d	25	M16 x 32mm SPLICE BOLT/NUT	GR-FS-16-0016-MG
e	1	M16 x 220mm BOLT/NUT/WASHER	GE-FS-16-0220-HG
f	1	M16 WASHER	GE-FS-16-0000-CG
g	1	M20 x 220mm BOLT/NUT/WASHER	GE-FS-20-0220-HG
h	1	M20 WASHER	GE-FS-20-0000-BG
j	8	1/2" x 1 1/4" ANCHOR BRACKET SHOULDER BOLT	GE-FS-12-0114-HG
k	8	1/2" ANCHOR BRACKET NUT	GE-FS-12-0000-HG
l	16	1/2" ANCHOR BRACKET WASHER	GE-FS-12-0000-AG
m	6	M16 x 255mm POST BOLT/NUT	GE-FS-16-0255-NG

NOTES:

1. THE LOWER SECTIONS OF POSTS 1 & 2 SHALL NOT PROTRUDE MORE THAN 100mm ABOVE GROUND.
2. THE CABLE ASSEMBLY MUST BE TAUT.

REVISIONS		REVISIONS		REVISIONS		DRAWING DESCRIPTION	DRAWING REFERENCE	NCHRP-350 TL3 SKT-SP TERMINAL
REV	DATE	DESCRIPTION	REV	DATE	DESCRIPTION			
E	26.04.13	REVISED AND REISSUED FOR REVIEW	DB	TC		SAFE DIRECTION	DRAWING REFERENCE	K-SKT SP TL3
D	23.04.13	REVISED AND ISSUED FOR REVIEW	DB	TC				
C	07.03.13	INITIAL ISSUE	DB	TC				
B	04.03.13	ISSUED FOR APPROVAL	DB	TC				
A	01.03.13	ISSUED FOR REVIEW	DB	TC				
REVISIONS		REVISIONS		REVISIONS		SAFE DIRECTION	DRAWING DESCRIPTION	NCHRP-350 TL3 SKT-SP TERMINAL
REV	DATE	DESCRIPTION	REV	DATE	DESCRIPTION			
F	21.05.13	ISSUED FOR APPROVAL	DB	TC		SAFE DIRECTION	DRAWING REFERENCE	K-SKT SP TL3
G	03.09.14	REISSUED FOR APPROVAL	DB	TC				