

Product Data

Spring Steel Buffers

Flexible Barrier System

Spring Steel Buffers designed to yield and absorb the energy of an impacting vehicle. The yielding action of the post minimises damage to the vehicle and the barrier. In addition, the forces transmitted to the foundation are reduced and only (1) anchor bolt per post is required. This is a significant advantage when compared to rigid post systems and facilitates rapid installation whilst fewer anchor bolts reduces potential damage to the car park deck.

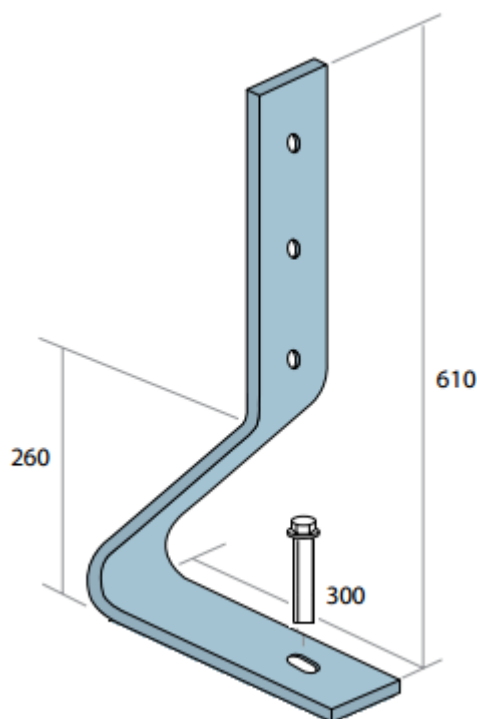
Spring Steel Buffers are available with two post options; the RB1 and RB1x.

Specifications

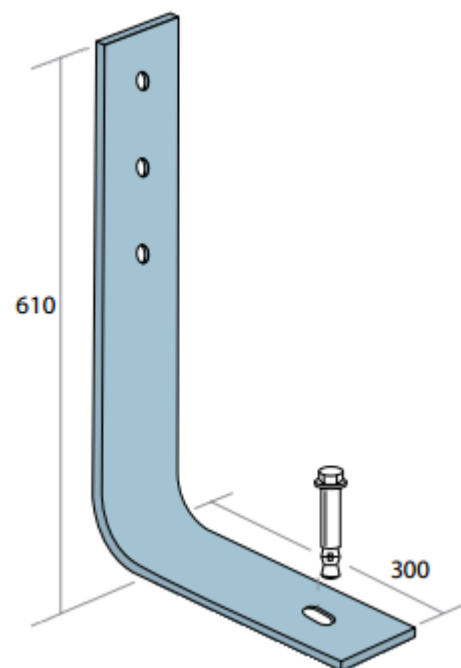
- Designed to withstand a horizontal force of 30kN acting 50mm above floor level, normal to and uniformly distributed over any length of 1.5m.
- Recommended maximum post spacing: 2m (to withstand 30kN).
- Post height: 610mm.
- Post footprint: 300mm long x 100mm wide.
- Number of anchor bolts per post: 1.

Features

- Flexible protection, energy-absorbing.
- Impact tested to evaluate performance and compliance to car park standards.
- The flexible action minimises damage to the impacting vehicle and barrier system.



RB1x Post



RB1 Post

