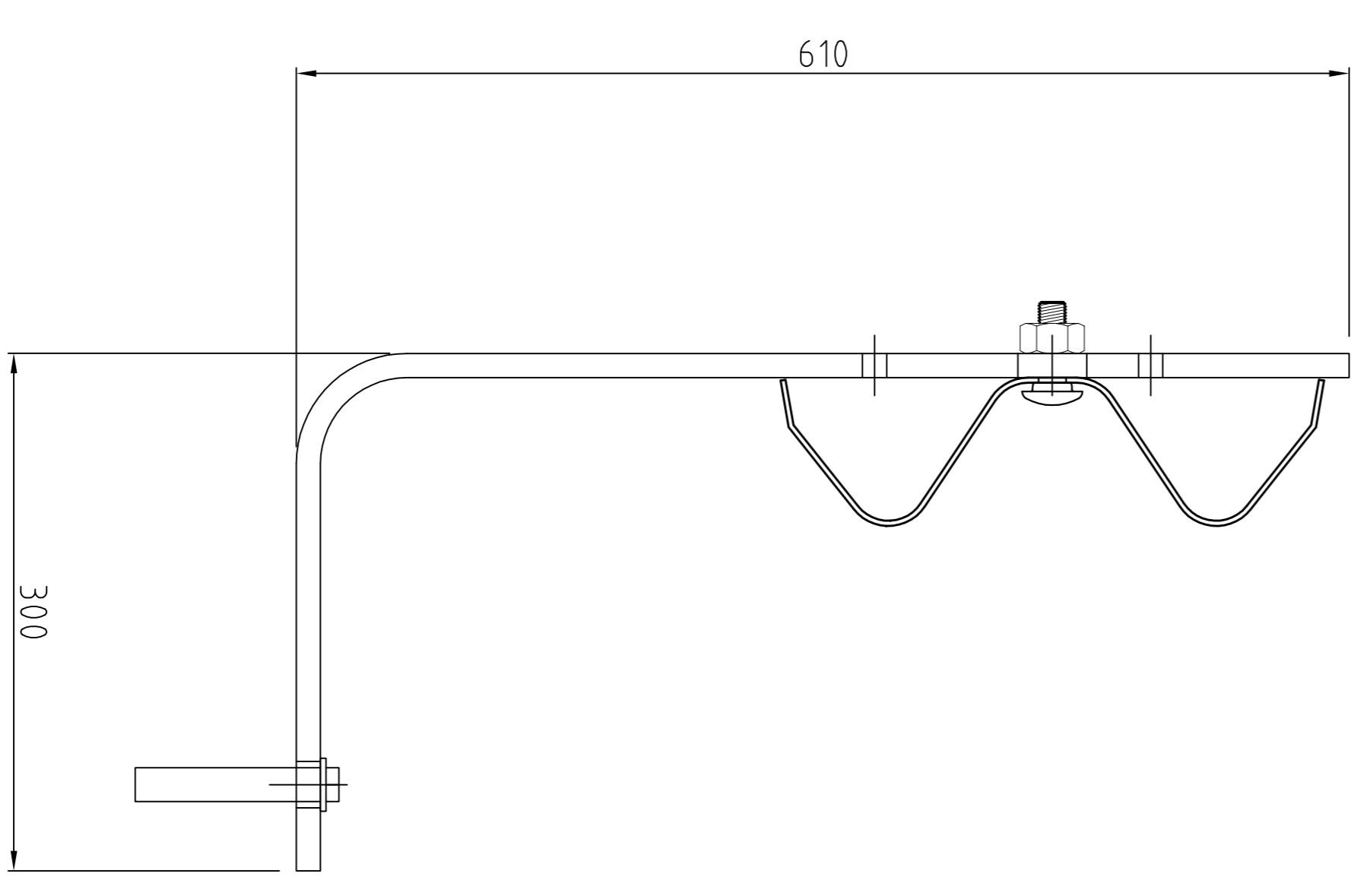
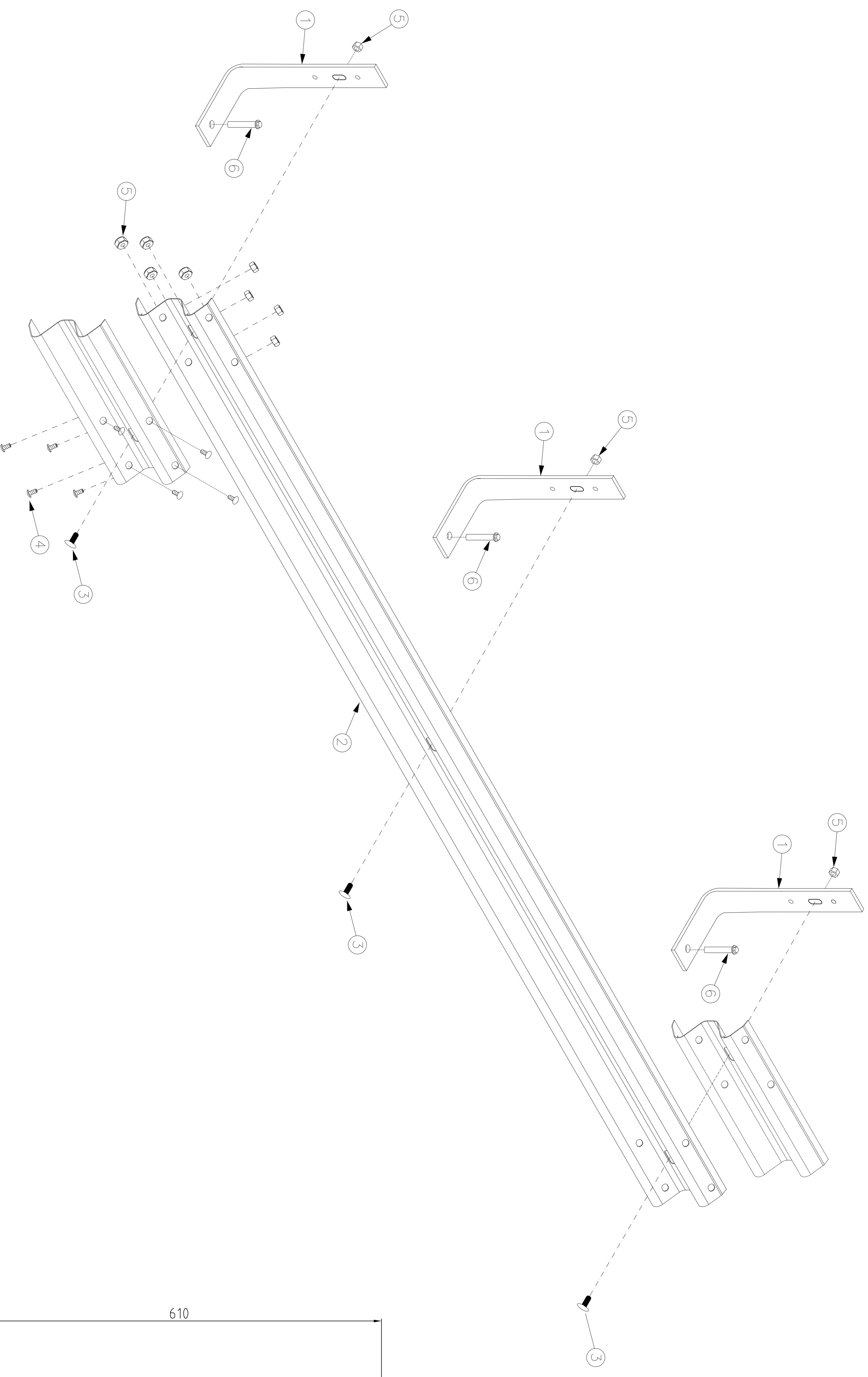


BILL OF MATERIALS	
ITEM	DESCRIPTION
1	RB1 SPRING STEEL POST
2	W-BEAM GUARDRAIL
3	M16 x 50mm POST BOLT
4	M16 x 32mm SPLICE BOLT
5	M16 OVERSIZE NUT
6	M20 ANCHOR BOLT



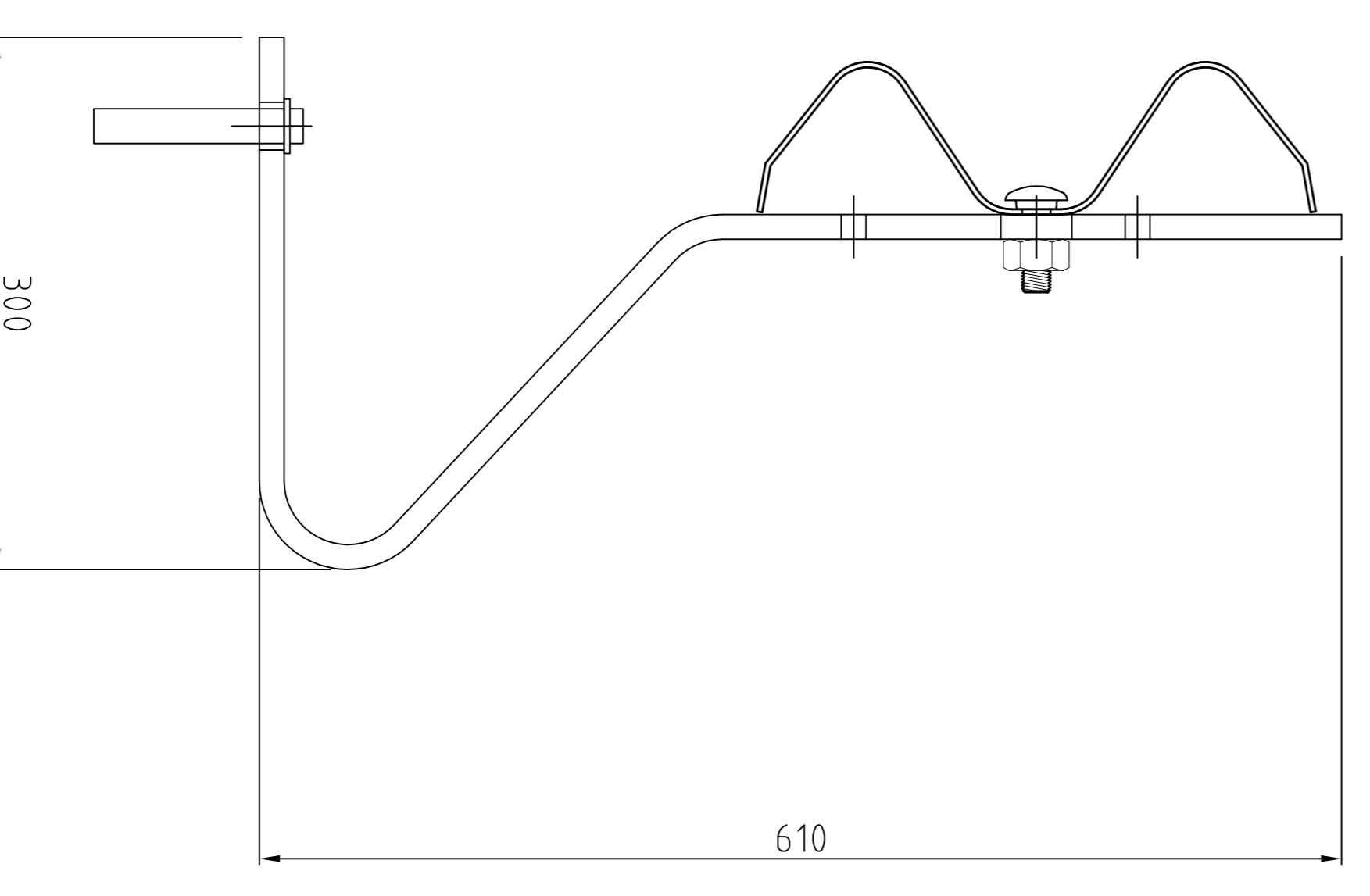
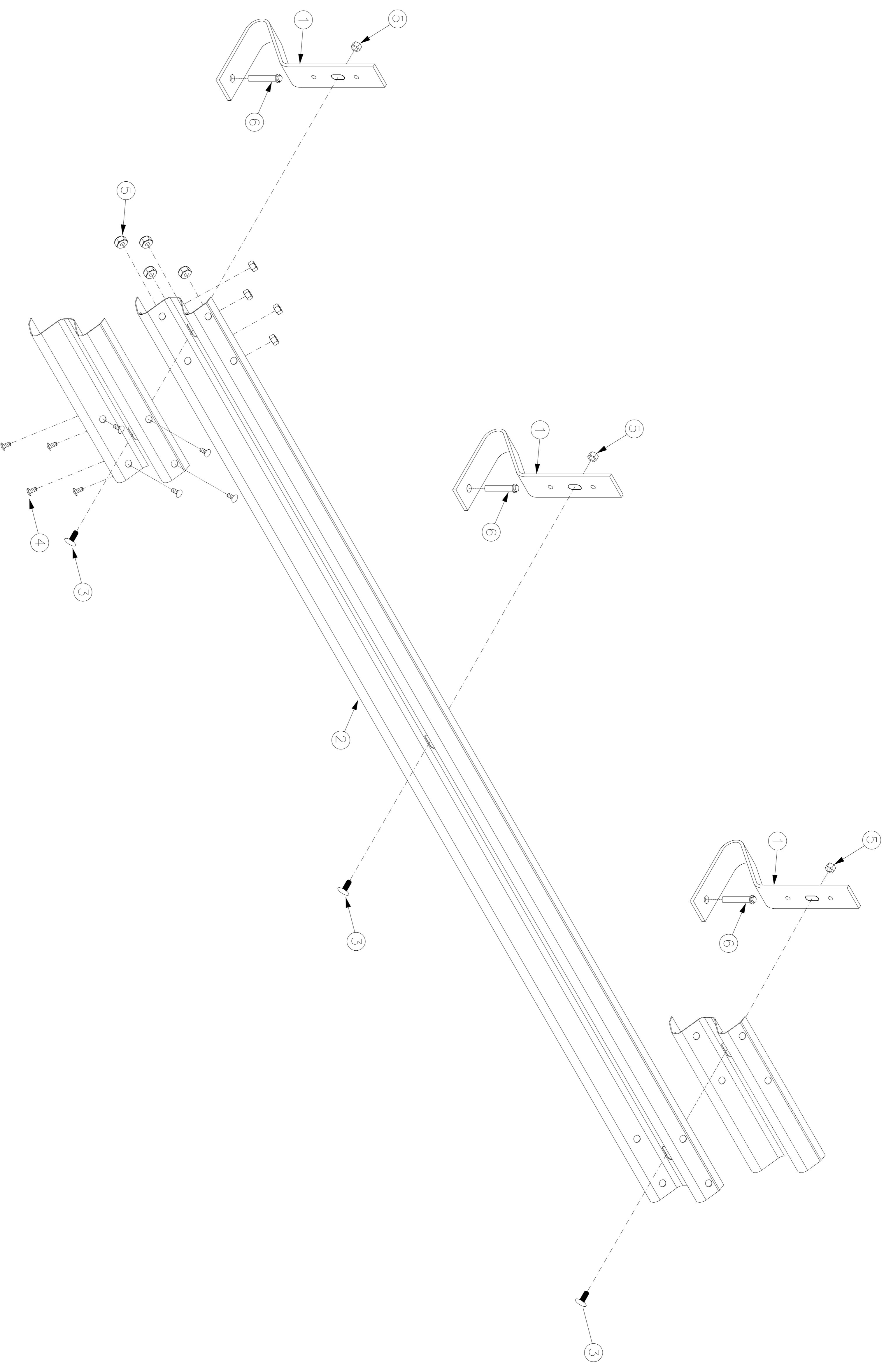
REVISIONS			
REV	DATE	DESCRIPTION	
A	26.09.13	INITIAL ISSUE	

REVISIONS			
REV	DATE	DESCRIPTION	

SAFE DIRECTION


DRAWING DESCRIPTION		DRAWING REFERENCE	
RB1 SPRING STEEL POST & W BEAM ASSEMBLY			
		GR-WB-001	
DRAWN BY	AUSTEC DRAFTING	DIMENSIONS	mm
CHECKED	H. WALLACE	SCALE	NTS
APPROVED	T. COLQUHOUN		

BILL OF MATERIALS	
ITEM	DESCRIPTION
1	RB1X SPRING STEEL POST
2	W-BEAM GUARDRAIL
3	M16 x 50mm POST BOLT
4	M16 x 32mm SPLICE BOLT
5	M16 OVERSIZE NUT
6	M20 ANCHOR BOLT



REVISIONS			
REV	DATE	DESCRIPTION	DRAWN
A	01/01/13	INITIAL ISSUE	DB

REVISIONS			
REV	DATE	DESCRIPTION	DRAWN

 SAFE DIRECTION	DRAWING DESCRIPTION	RB1X SPRING STEEL POST & W BEAM ASSEMBLY
	DRAWING REFERENCE	
DRAWN BY	AUSTEC DRAFTING	DIMENSIONS
CHECKED	H. WALLACE	SCALE
APPROVED	T. COLQUHOUN	NTS