


REVISIONS			
REV	DATE	DESCRIPTION	DRAWN
A	27/03/2015	INITIAL ISSUE	M.S

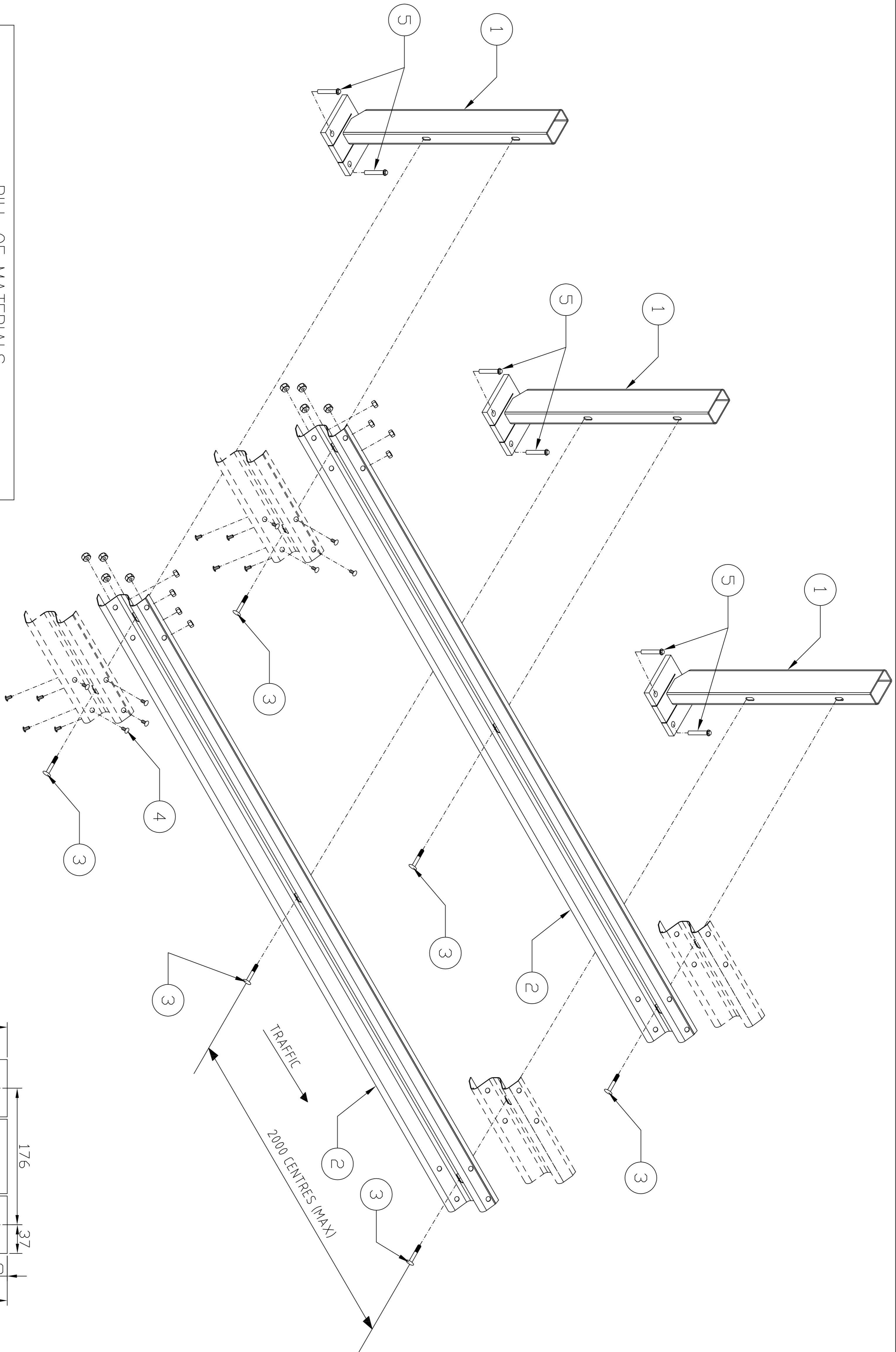
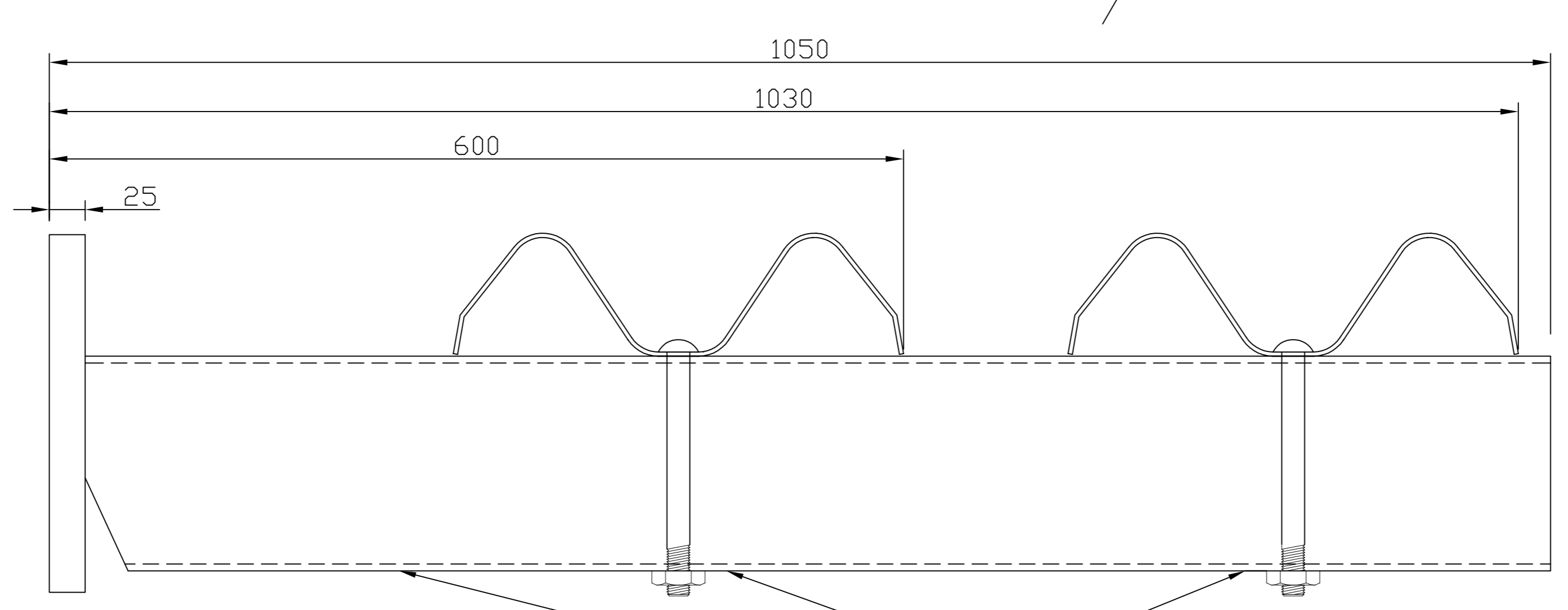
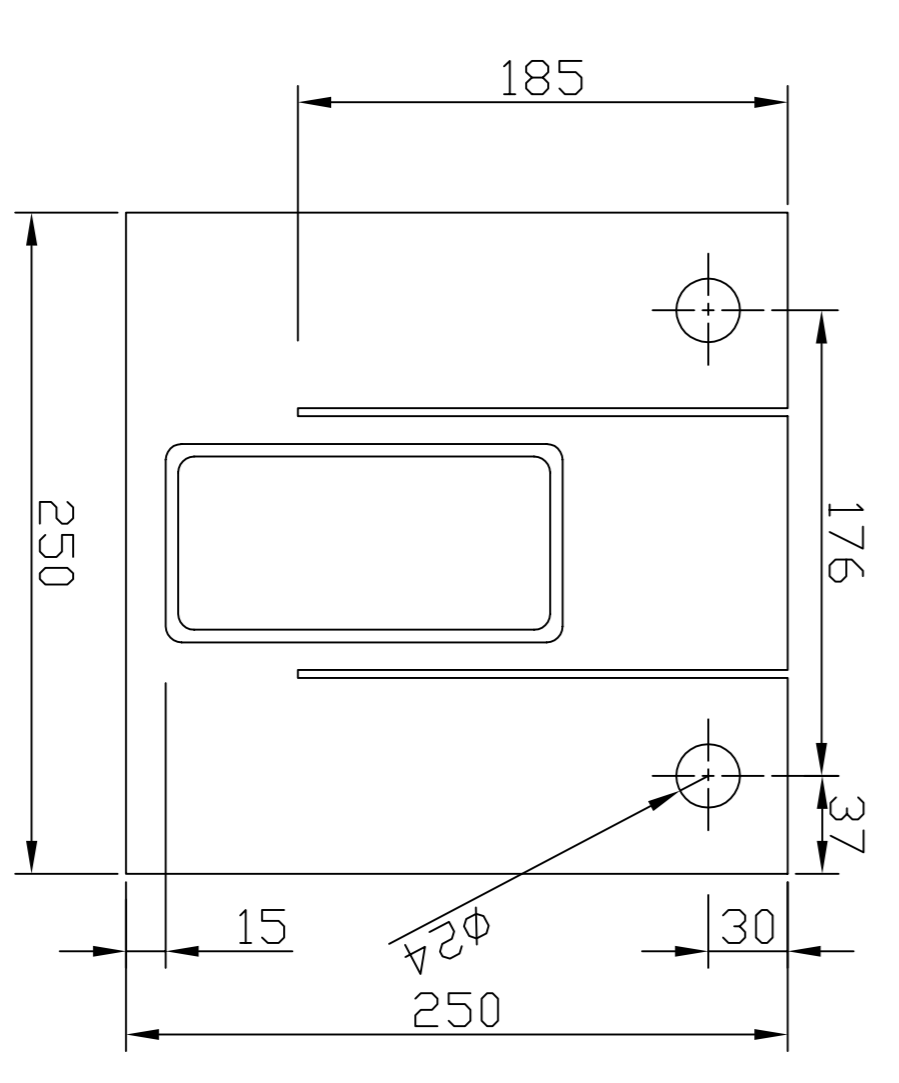
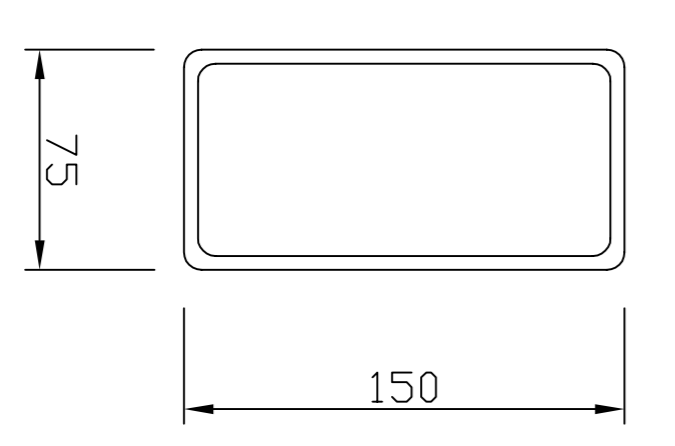
REVISIONS			
REV	DATE	DESCRIPTION	DRAWN

 SAFE DIRECTION	DRAWING DESCRIPTION	Rhino-Stop Truck Guard Type 1
	DRAWING REFERENCE	GR-WB-040
DRAWN BY	M. SEAL	CHECKED
DIMENSIONS		mm
SCALE		N.T.S
APPROVED	H. WALLACE	

Rhino-Stop Truck Guard has been assessed to exceed the 40kN impact load as described in AS/NZS 1170.1 for Medium Traffic areas.

Section Detail

BILL OF MATERIALS	
ITEM	DESCRIPTION
1	RHINO STOP TRUCK GUARD POST
2	W-BEAM GUARDRAIL
3	M16 x 180mm POST BOLT / NUT
4	M16 x 32mm SPLICE BOLT/NUT
5	M20 ANCHOR BOLT



NOTE: Do not bolt rails to this side of posts

Ø18 x 64 Slotted Holes

