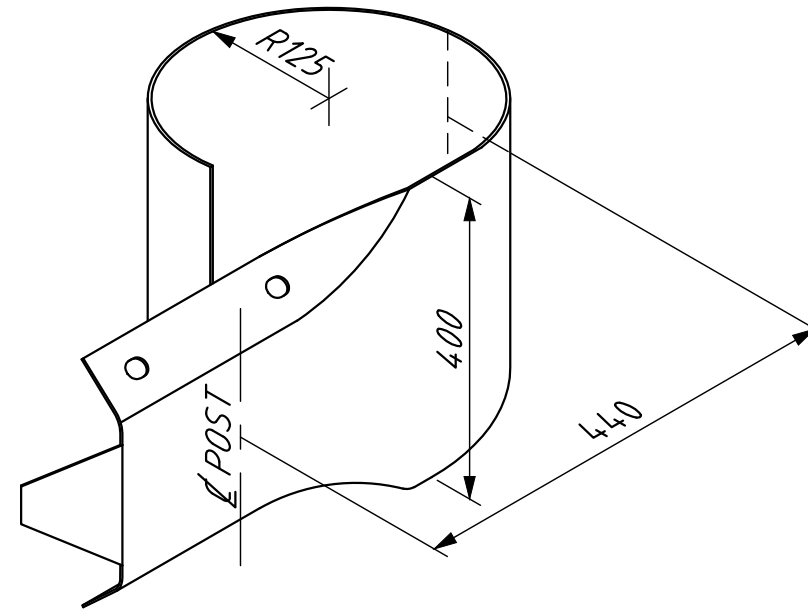


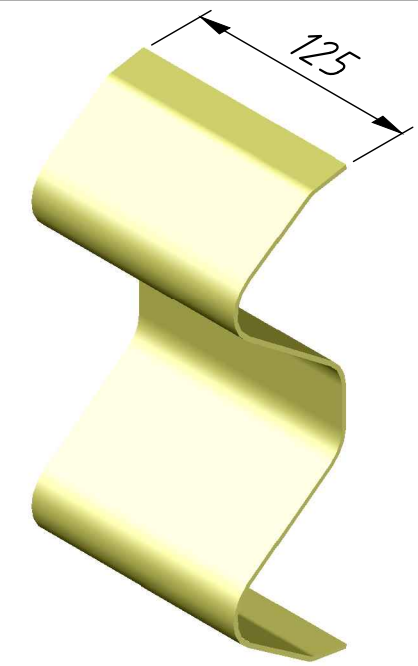
FISHTAIL

ITEM: GE-EF-MX-0105-AG



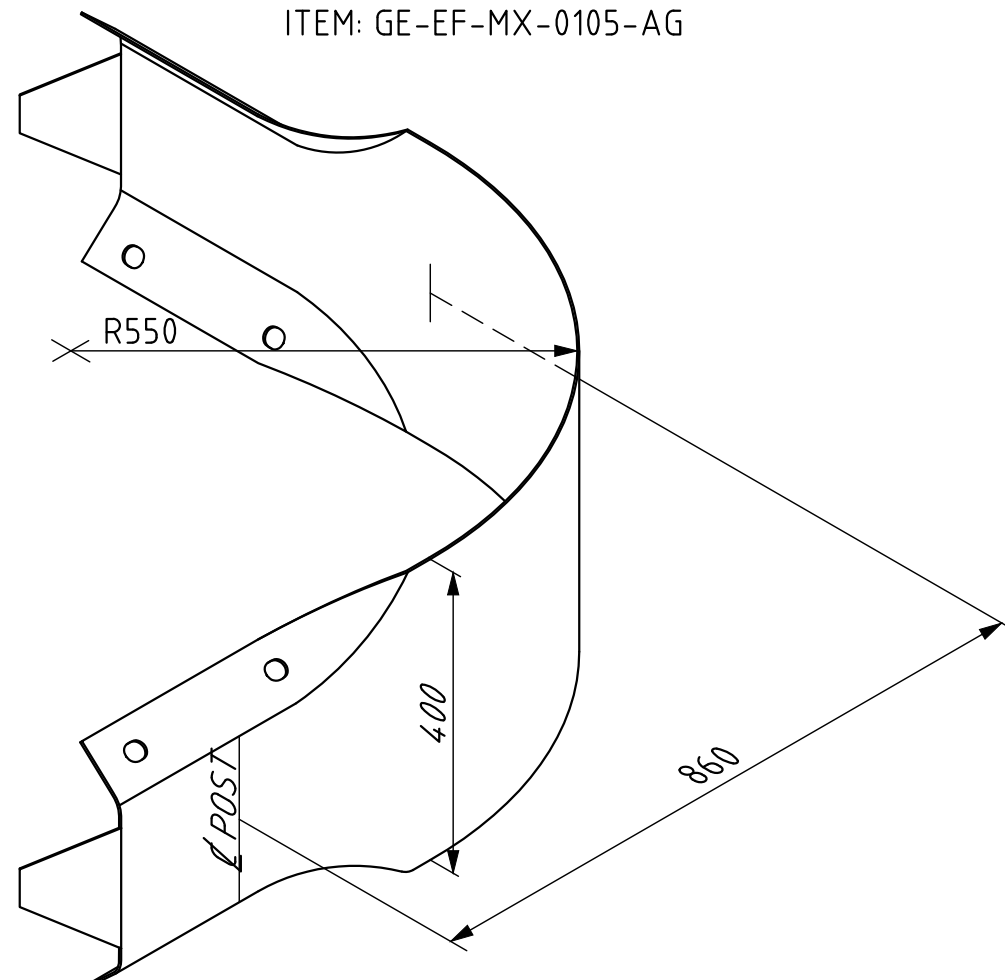
SHORT BULLNOSE

ITEM: GE-EF-MX-0103-AG



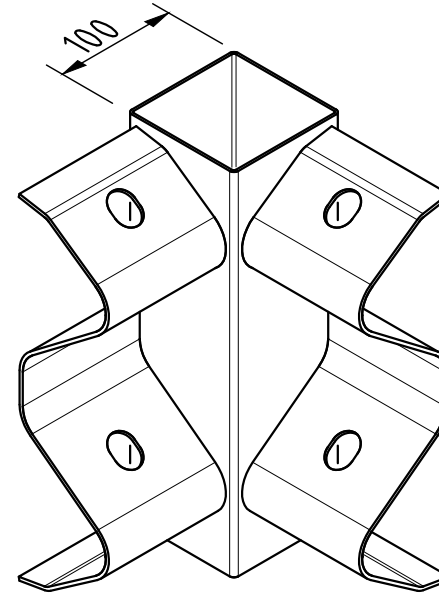
YELLOW END CAP

ITEM: GE-EF-MX-0016-AS



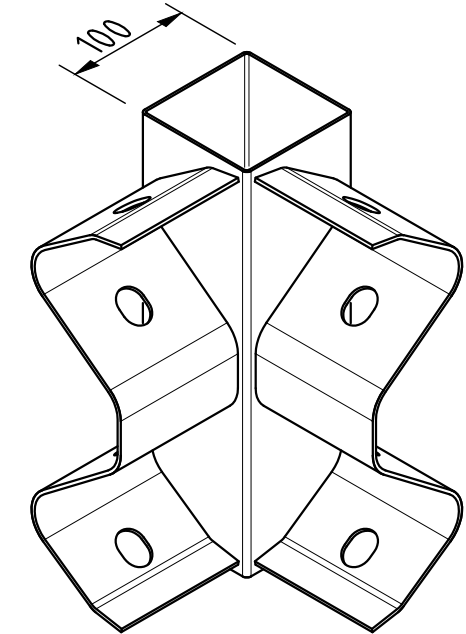
FLEXIBLE CONNECTOR

ITEM: GE-EF-MX-0107-AG



90 DEGREE - INSIDE CORNER

ITEM: GE-EF-MX-0022-AG



90 DEGREE - OUTSIDE CORNER

ITEM: GE-EF-MX-0023-AG

REV	DATE	DESCRIPTION	DRAWN	APPRD.
A	13.06.14	INITIAL ISSUE	DB	TC

REV	DATE	DESCRIPTION	DRAWN	APPRD.



DRAWING DESCRIPTION	W-BEAM GUARDRAIL ACCESSORIES
DRAWING REFERENCE	GR-WB-017

DRAWN BY	AUSTEC DRAFTING	DIMENSIONS	mm
CHECKED	H. WALLACE	SCALE	NTS
APPROVED	T. COLQUHOUN		