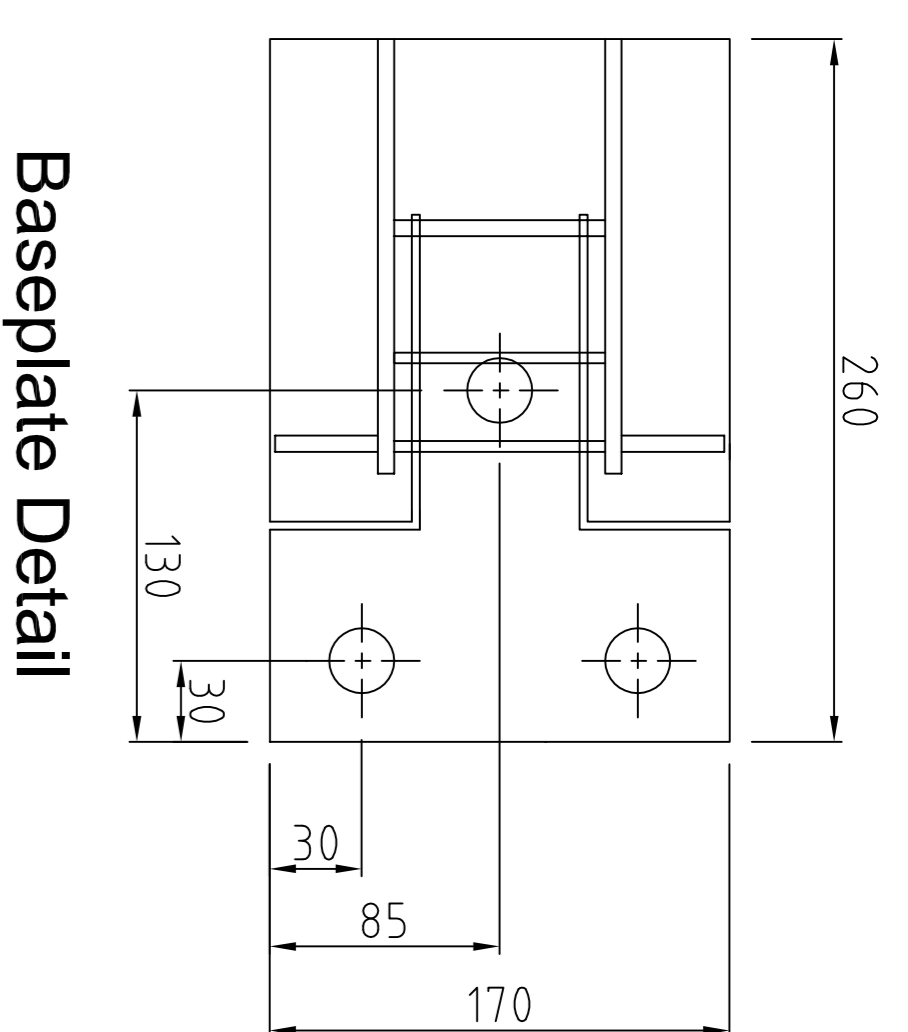
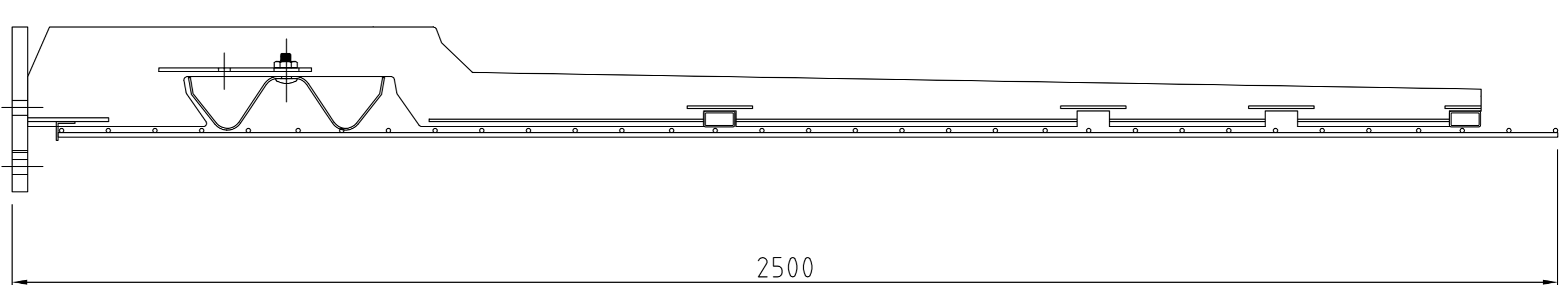
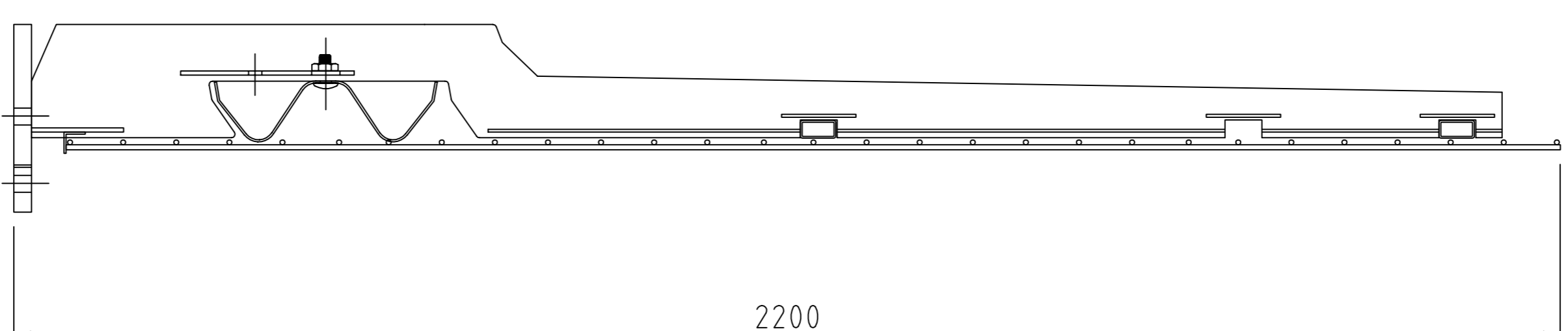
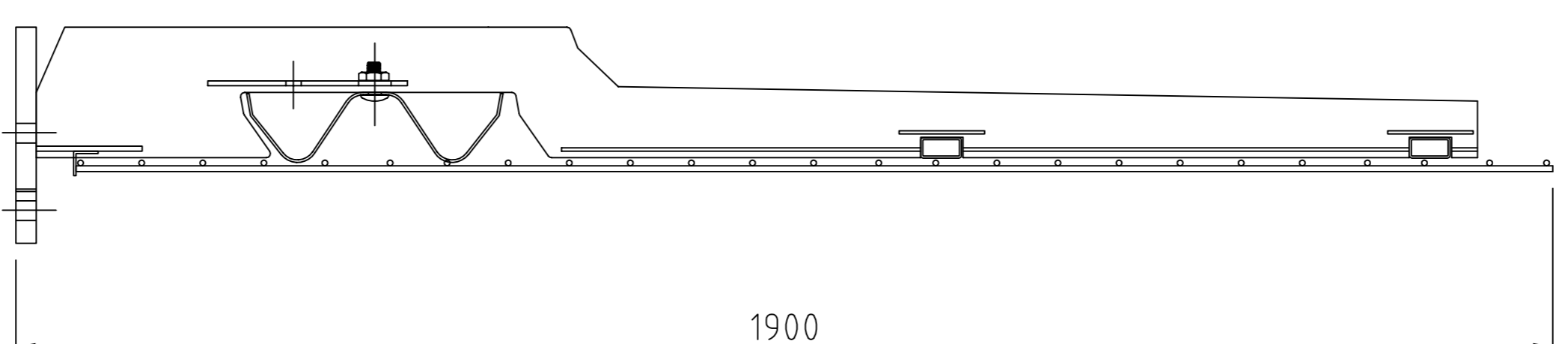


Isometric View



Baseplate Detail



Height Can be Customised
below 2500mm

Standard Height
Configuration

REVISIONS			
REV	DATE	DESCRIPTION	
A	25.06.15	INITIAL ISSUE	

REVISIONS			
REV	DATE	DESCRIPTION	



SAFE DIRECTION

DRAWING DESCRIPTION	DRAWING REFERENCE	DIMENSIONS	
RHINO-STOP SCREEN ASSEMBLY			mm
CUSTOMISED HEIGHTS			NTS
GR-WB-082			

DRAWN BY	M. SEAL	DIMENSIONS	
CHECKED	H. WALLACE	SCALE	NTS
APPROVED	T. COLQUHOUN		