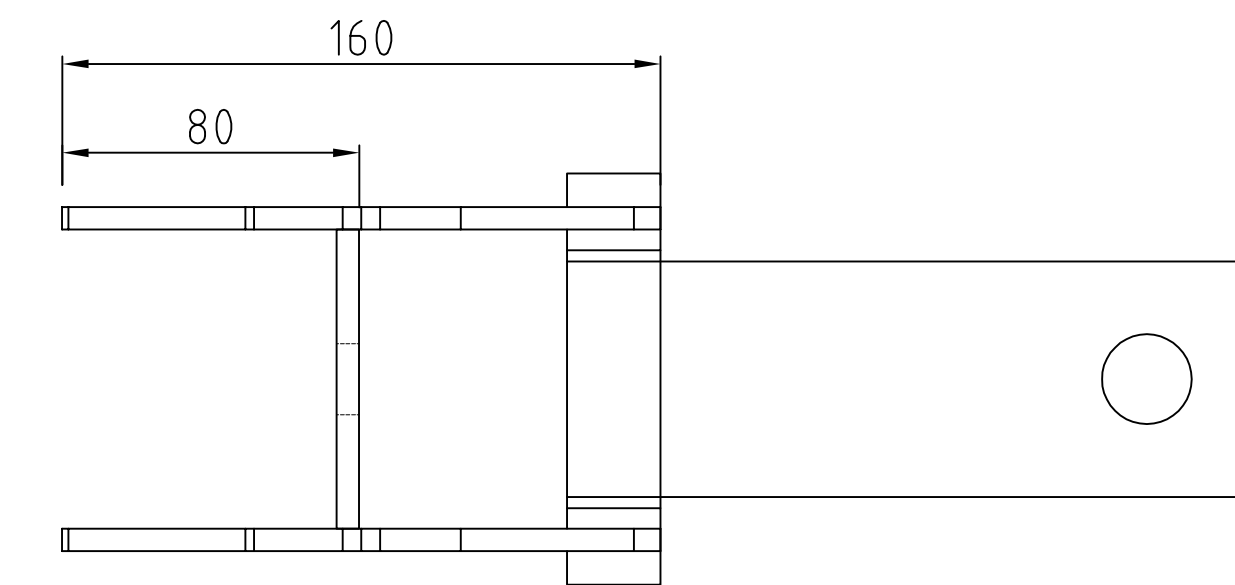
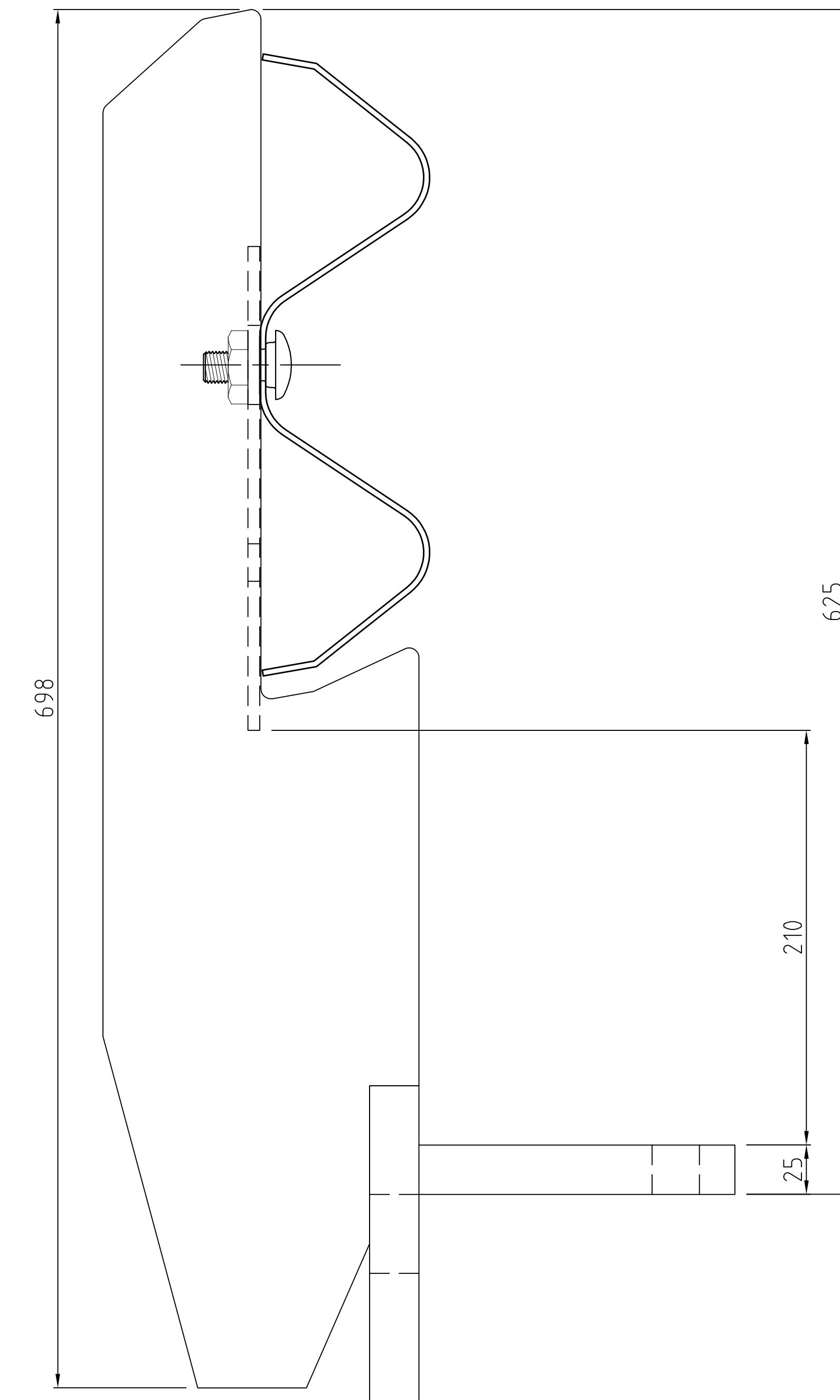
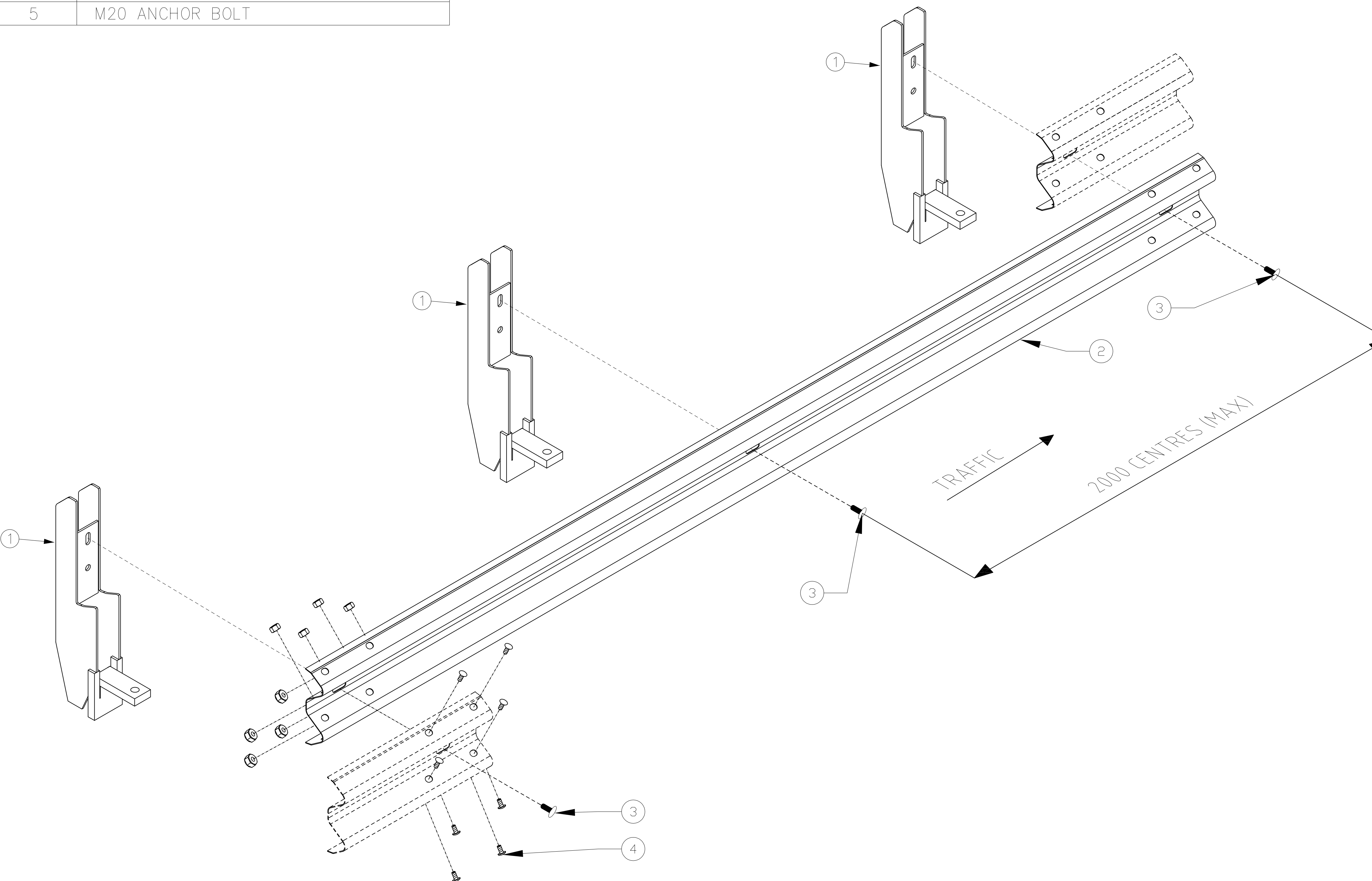


BILL OF MATERIALS

ITEM	DESCRIPTION
1	RHINO POST SKY-EDGE
2	W-BEAM GUARDRAIL
3	M16 x 50mm POST BOLT/NUT
4	M16 x 32mm SPLICE BOLT/NUT
5	M20 ANCHOR BOLT



**POST PLAN**



**POST ELEVATION**

RHINO-STOP HAS BEEN ASSESSED TO EXCEED THE 30kN IMPACT LOAD AS DESCRIBED IN AS/NZS 1170.1 FOR LIGHT TRAFFIC AREAS.

REV	DATE	DESCRIPTION	DRAWN	APPRD.
A	26.06.14	INITIAL ISSUE	DB	TC

REV	DATE	DESCRIPTION	DRAWN	APPRD.



DRAWING DESCRIPTION	RHINO-STOP SKY-EDGE TYPE 1 ASSEMBLY
DRAWING REFERENCE	GR-WB-030

DRAWN BY	AUSTEC DRAFTING	DIMENSIONS	mm
CHECKED	H. WALLACE	SCALE	NTS
APPROVED	T. COLQUHOUN		