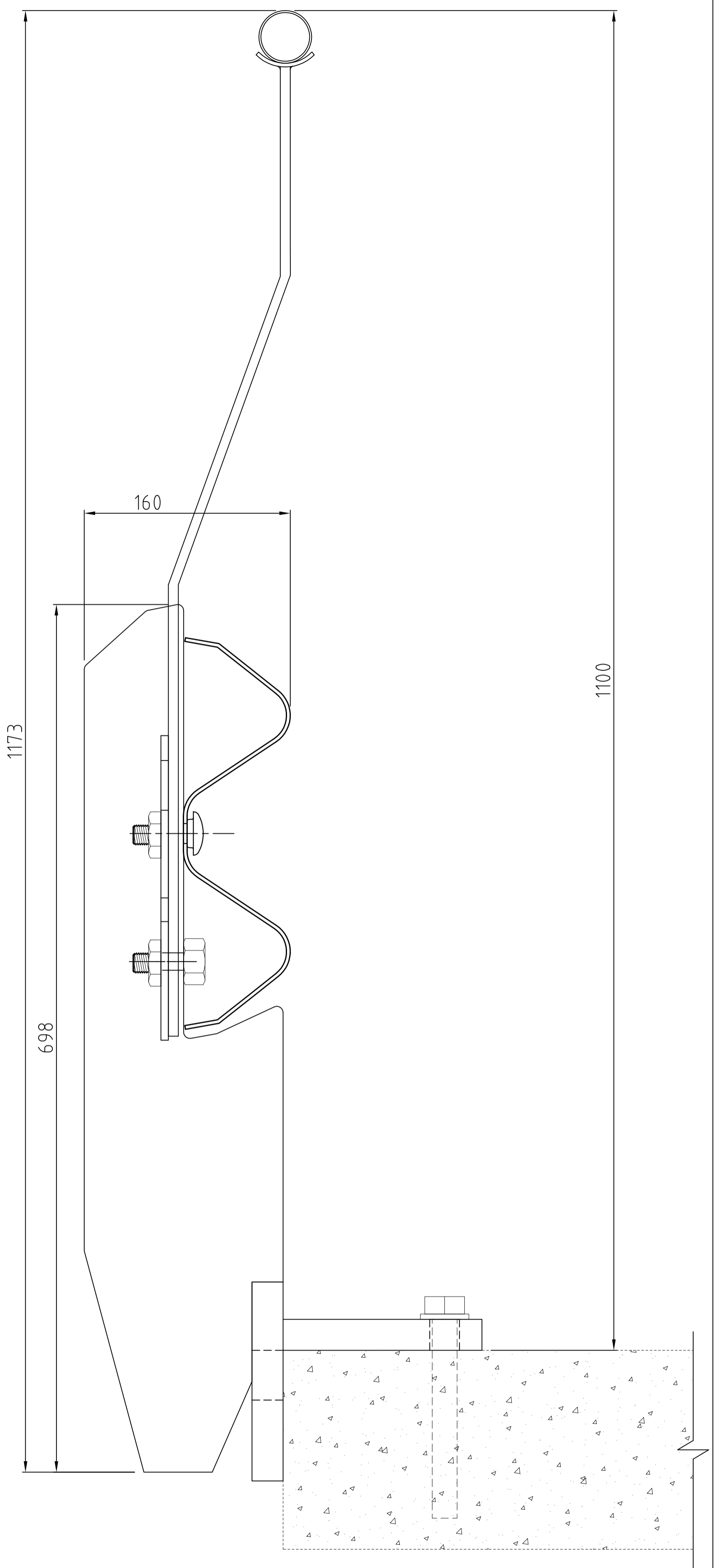
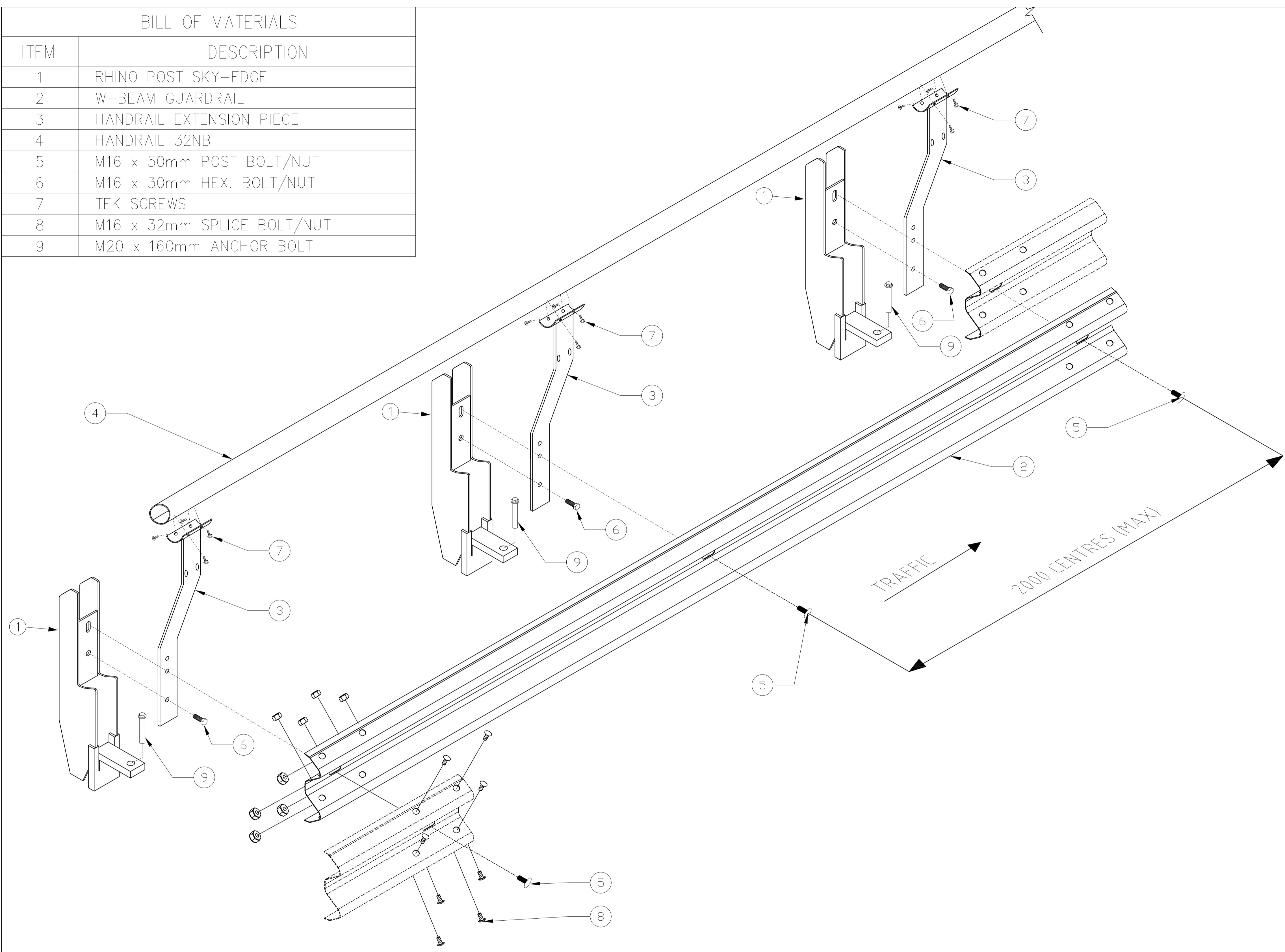


BILL OF MATERIALS

| ITEM | DESCRIPTION                |
|------|----------------------------|
| 1    | RHINO POST SKY-EDGE        |
| 2    | W-BEAM GUARDRAIL           |
| 3    | HANDRAIL EXTENSION PIECE   |
| 4    | HANDRAIL 32NB              |
| 5    | M16 x 50mm POST BOLT/NUT   |
| 6    | M16 x 30mm HEX. BOLT/NUT   |
| 7    | TEK SCREWS                 |
| 8    | M16 x 32mm SPLICE BOLT/NUT |
| 9    | M20 x 160mm ANCHOR BOLT    |



**POST ELEVATION**

RHINO-STOP HAS BEEN ASSESSED TO EXCEED THE 30kN IMPACT LOAD AS DESCRIBED IN AS/NZS 1170.1 FOR LIGHT TRAFFIC AREAS.

| REV | DATE     | DESCRIPTION   | DRAWN | APPRD. |
|-----|----------|---------------|-------|--------|
| A   | 26.06.14 | INITIAL ISSUE | DB    | TC     |

| REV | DATE | DESCRIPTION | DRAWN | APPRD. |
|-----|------|-------------|-------|--------|
|     |      |             |       |        |



|                     |                                     |                 |            |     |
|---------------------|-------------------------------------|-----------------|------------|-----|
| DRAWING DESCRIPTION | RHINO-STOP SKY-EDGE TYPE 2 ASSEMBLY |                 |            |     |
|                     | DRAWN BY                            | AUSTEC DRAFTING | DIMENSIONS | mm  |
| DRAWING REFERENCE   | GR-WB-031                           |                 |            |     |
|                     | CHECKED                             | H. WALLACE      | SCALE      | NTS |
| APPROVED            | T. COLQUHOUN                        |                 |            |     |