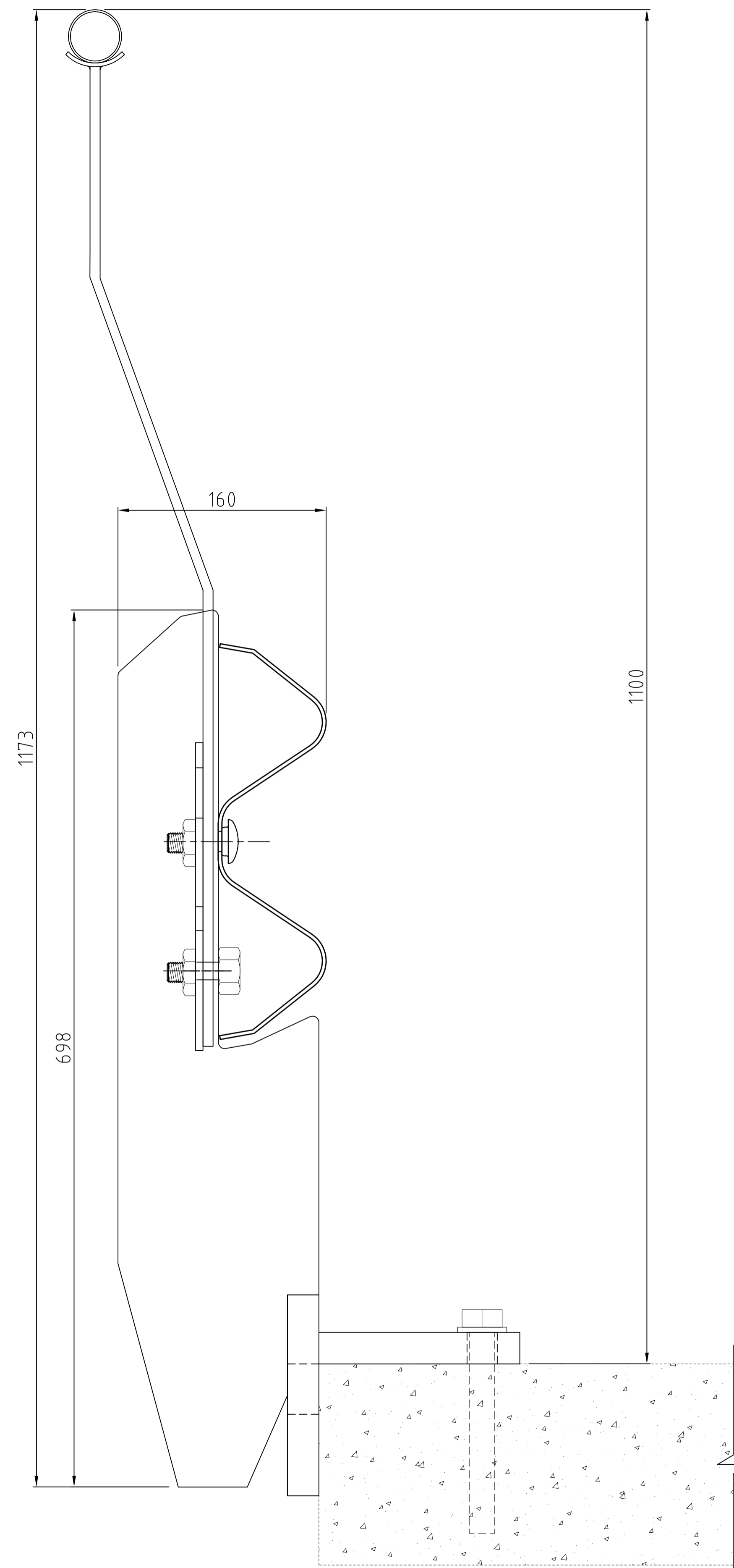
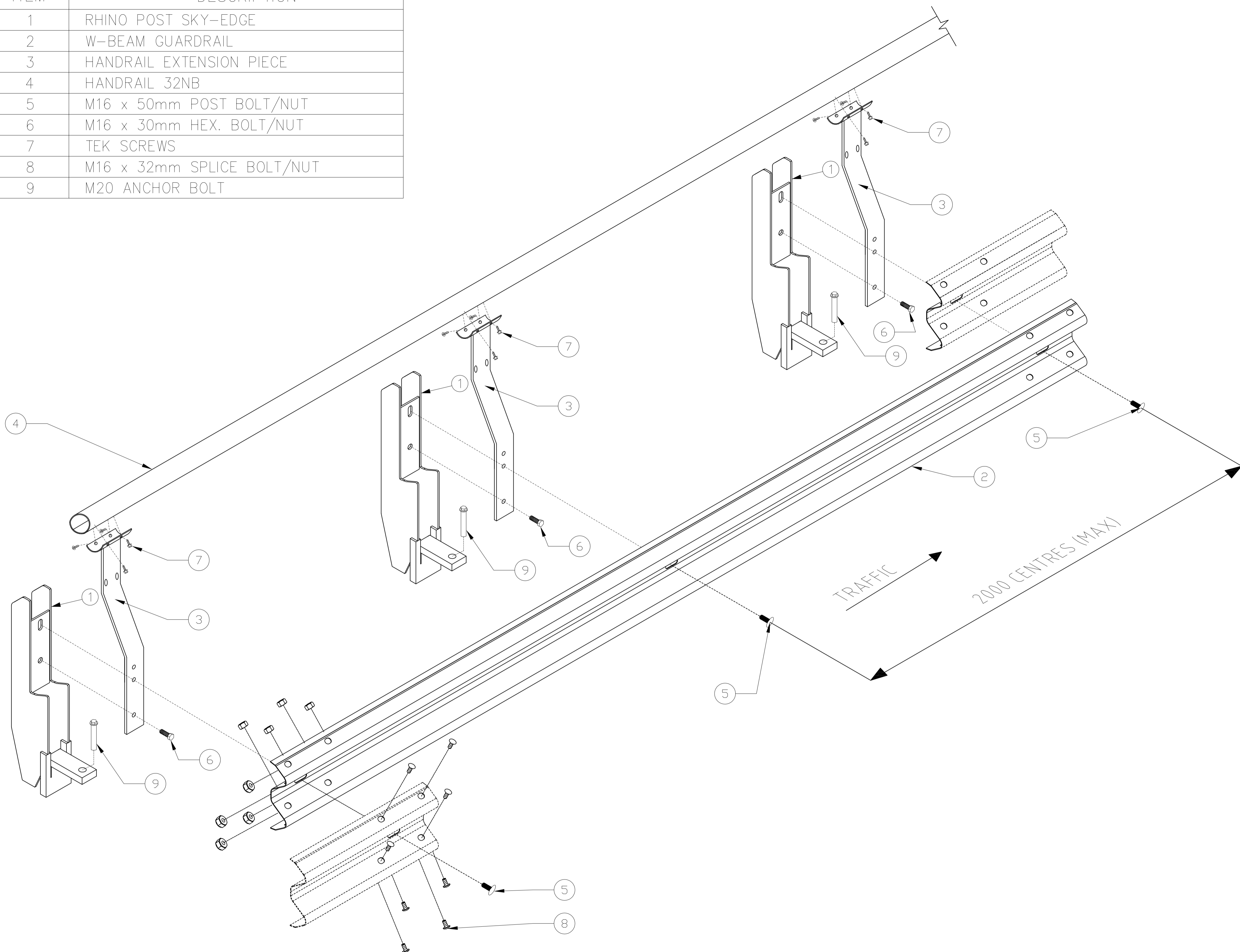


BILL OF MATERIALS

ITEM	DESCRIPTION
1	RHINO POST SKY-EDGE
2	W-BEAM GUARDRAIL
3	HANDRAIL EXTENSION PIECE
4	HANDRAIL 32NB
5	M16 x 50mm POST BOLT/NUT
6	M16 x 30mm HEX. BOLT/NUT
7	TEK SCREWS
8	M16 x 32mm SPLICE BOLT/NUT
9	M20 ANCHOR BOLT



POST ELEVATION

RHINO-STOP HAS BEEN ASSESSED TO EXCEED THE 30kN IMPACT LOAD AS DESCRIBED IN AS/NZS 1170.1 FOR LIGHT TRAFFIC AREAS.

REV	DATE	DESCRIPTION	DRAWN	APPRD.
A	16.09.14	INITIAL ISSUE	DB	TC

REV	DATE	DESCRIPTION	DRAWN	APPRD.



DRAWING DESCRIPTION	RHINO-STOP SKY-EDGE TYPE 3 ASSEMBLY			
	DRAWN BY	AUSTEC DRAFTING	DIMENSIONS	mm
DRAWING REFERENCE	GR-WB-032			
	CHECKED	H. WALLACE	SCALE	NTS
	APPROVED	T. COLQUHOUN		