

BILL OF MATERIALS	
ITEM	DESCRIPTION
1	RHINO POST SKY-EDGE
2	M20 ANCHOR BOLT
3	HANDRAIL EXTENSION PIECE
4	M16 x 30mm HEX. BOLT/NUT
5	HANDRAIL 32NB
6	TEK SCREWS
7	MESH SUPPORT ANGLE 30x30x2.5
8	M8 x 20mm CUP BOLT/NUT
9	W-BEAM GUARDRAIL
10	M16 x 50mm POST BOLT/NUT
11	M16 x 32mm SPLICE BOLT/NUT

RHINO-STOP HAS BEEN ASSESSED TO EXCEED THE 30kN IMPACT LOAD AS DESCRIBED IN AS/NZS 1170.1 FOR LIGHT TRAFFIC AREAS.

REVISIONS				
REV	DATE	DESCRIPTION	DRAWN	APPRD.
A	30.06.14	INITIAL ISSUE	DB	TC

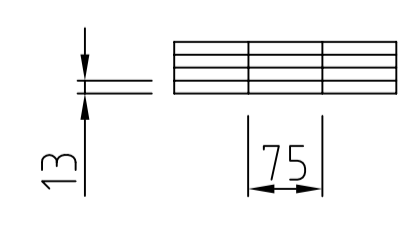
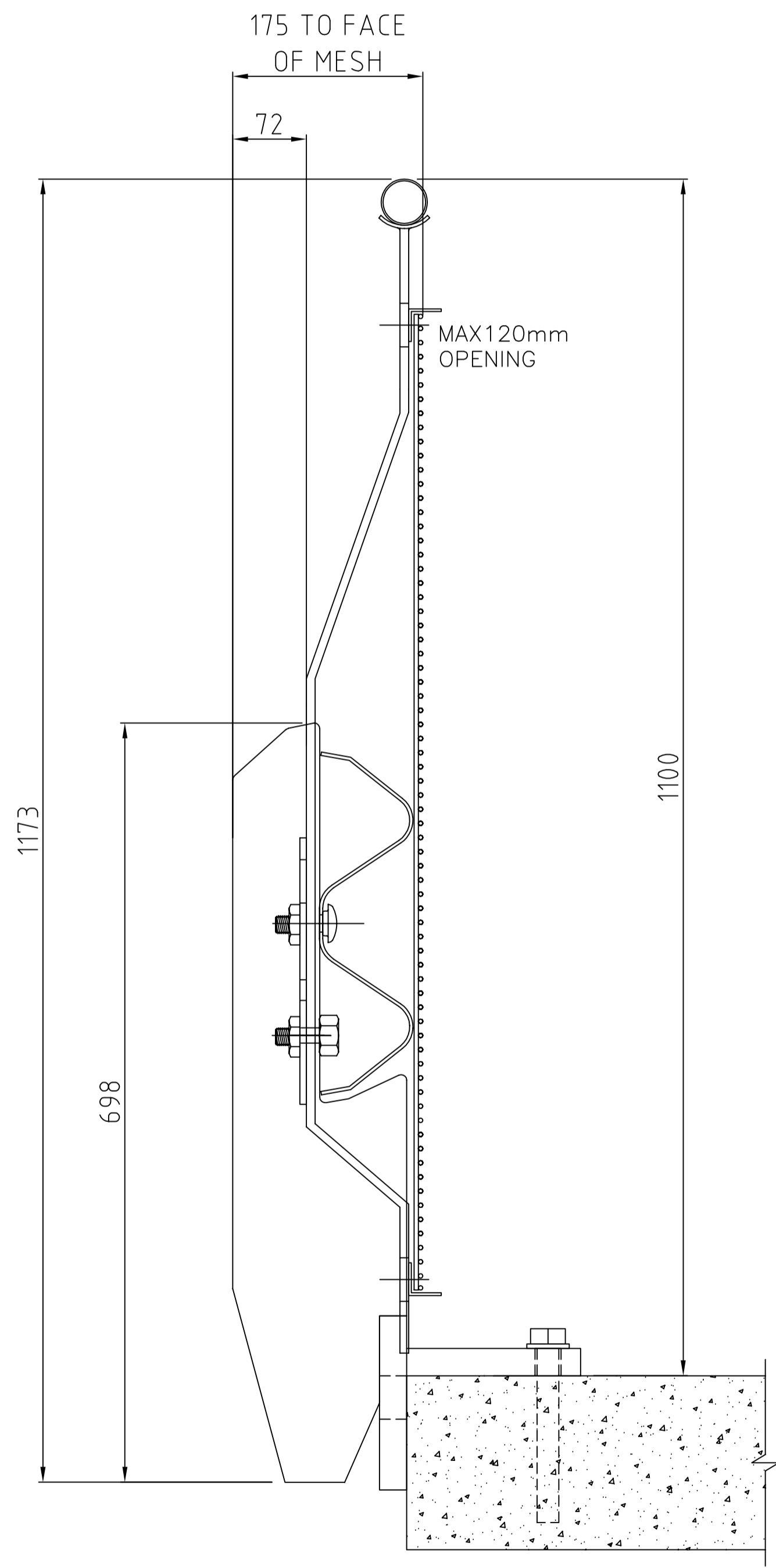
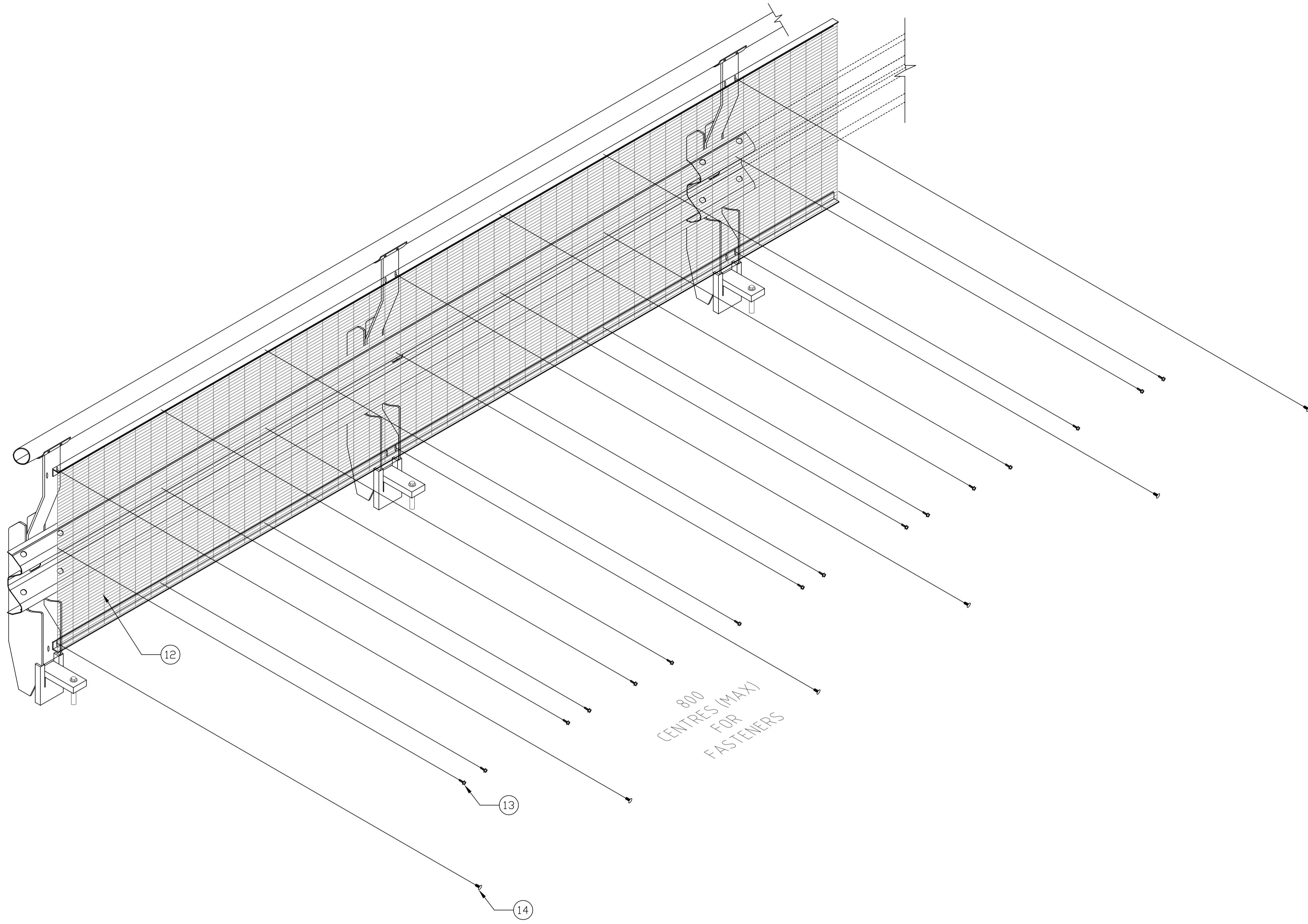
REVISIONS				
REV	DATE	DESCRIPTION	DRAWN	APPRD.



DRAWING DESCRIPTION
DRAWING REFERENCE

RHINO-STOP SKY-EDGE TYPE 4 ASSEMBLY SHEET 1 OF 2					
GR-WB-033		DRAWN BY	AUSTEC DRAFTING	DIMENSIONS	mm
		CHECKED	H. WALLACE	SCALE	NTS
		APPROVED	T. COLQUHOUN		

BILL OF MATERIALS	
ITEM	DESCRIPTION
10	MESH INFILL PANEL 2400x900
11	TEK SCREWS
12	M8 x 20mm CUP BOLT/NUT



MESH DETAIL

POST ELEVATION

RHINO-STOP HAS BEEN ASSESSED TO EXCEED THE 30kN IMPACT LOAD AS DESCRIBED IN AS/NZS 1170.1 FOR LIGHT TRAFFIC AREAS.

REVISIONS				
REV	DATE	DESCRIPTION	DRAWN	APPRD.
A	30.06.14	INITIAL ISSUE	DB	TC

REVISIONS				
REV	DATE	DESCRIPTION	DRAWN	APPRD.



DRAWING DESCRIPTION	RHINO-STOP SKY-EDGE TYPE 4 ASSEMBLY SHEET 2 OF 2				
	DRAWING REFERENCE	DRAWN BY	AUSTEC DRAFTING	DIMENSIONS	mm
		CHECKED	H. WALLACE	SCALE	NTS
APPROVED	T. COLQUHOUN				