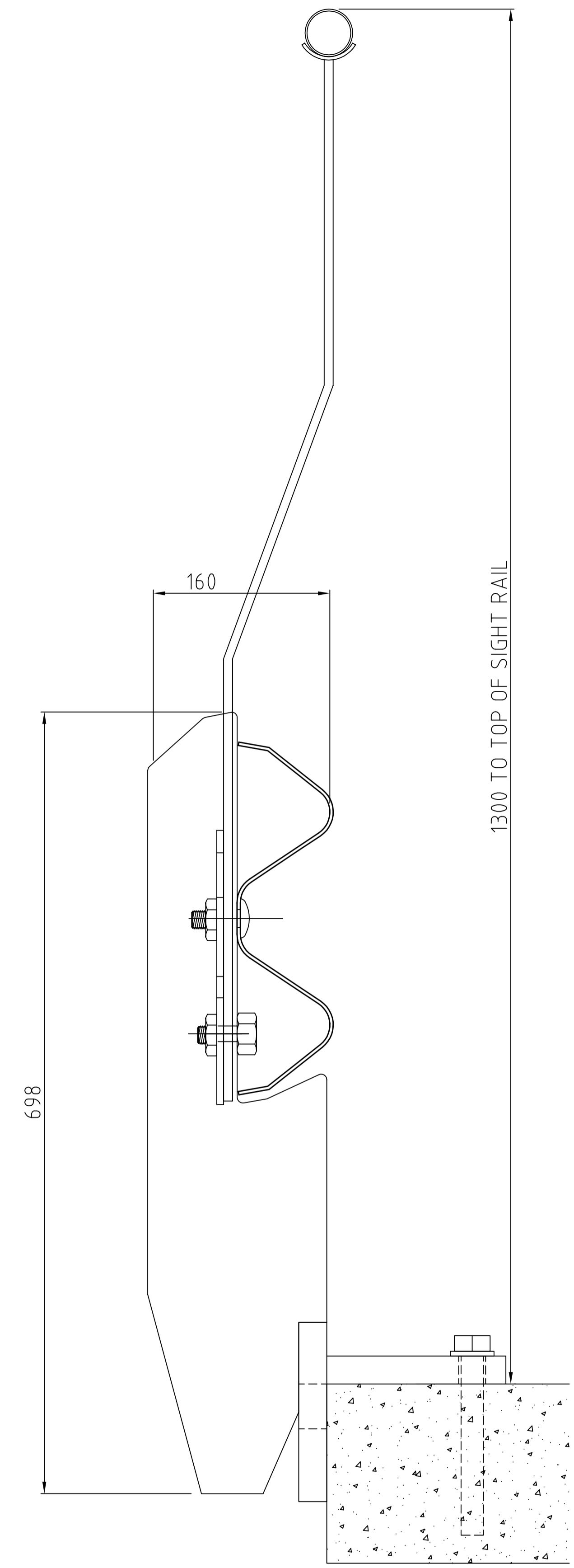
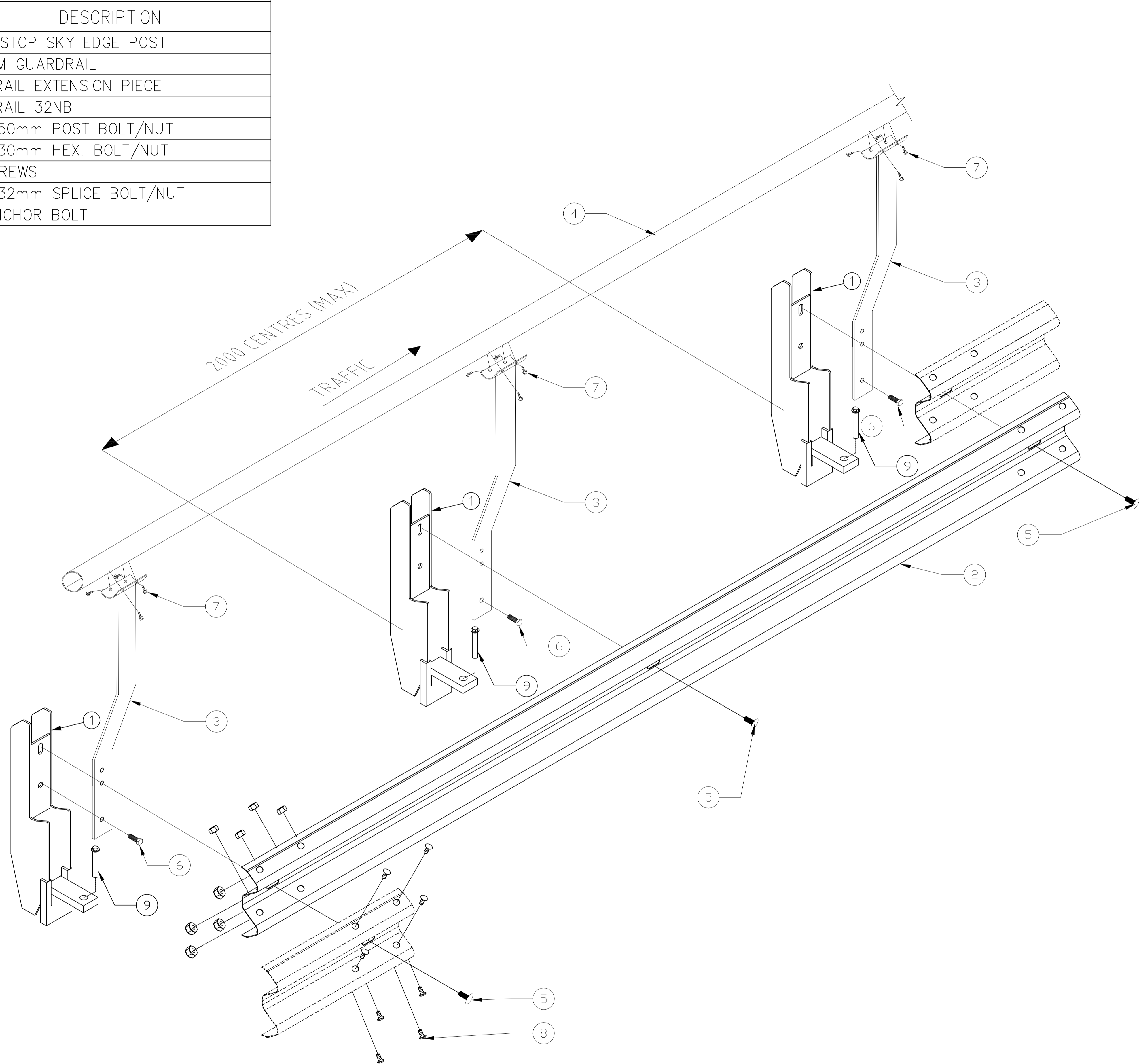


BILL OF MATERIALS

ITEM	DESCRIPTION
1	RHINO-STOP SKY EDGE POST
2	W-BEAM GUARDRAIL
3	SIGHT RAIL EXTENSION PIECE
4	SIGHT RAIL 32NB
5	M16 x 50mm POST BOLT/NUT
6	M16 x 30mm HEX. BOLT/NUT
7	TEK SCREWS
8	M16 x 32mm SPLICE BOLT/NUT
9	M20 ANCHOR BOLT



RHINO-STOP SKY EDGE HAS BEEN ASSESSED TO EXCEED THE 30kN IMPACT LOAD AS DESCRIBED IN AS/NZS 1170.1 FOR LIGHT TRAFFIC AREAS.

BASE PLATE DETAIL

POST ELEVATION

REV	DATE	DESCRIPTION	DRAWN	APPRD.	REV	DATE	DESCRIPTION	DRAWN	APPRD.
B	19.05.15	HANDRAIL EXTENSION CHANGED.	MS	TC					
A	16.09.14	INITIAL ISSUE	DB	TC					



DRAWING DESCRIPTION
DRAWING REFERENCE

RHINO-STOP SKY EDGE TYPE 5 ASSEMBLY			
GR-WB-034	DRAWN BY M. SEAL	DIMENSIONS mm	
	CHECKED H. WALLACE	SCALE NTS	
	APPROVED T. COLQUHOUN		