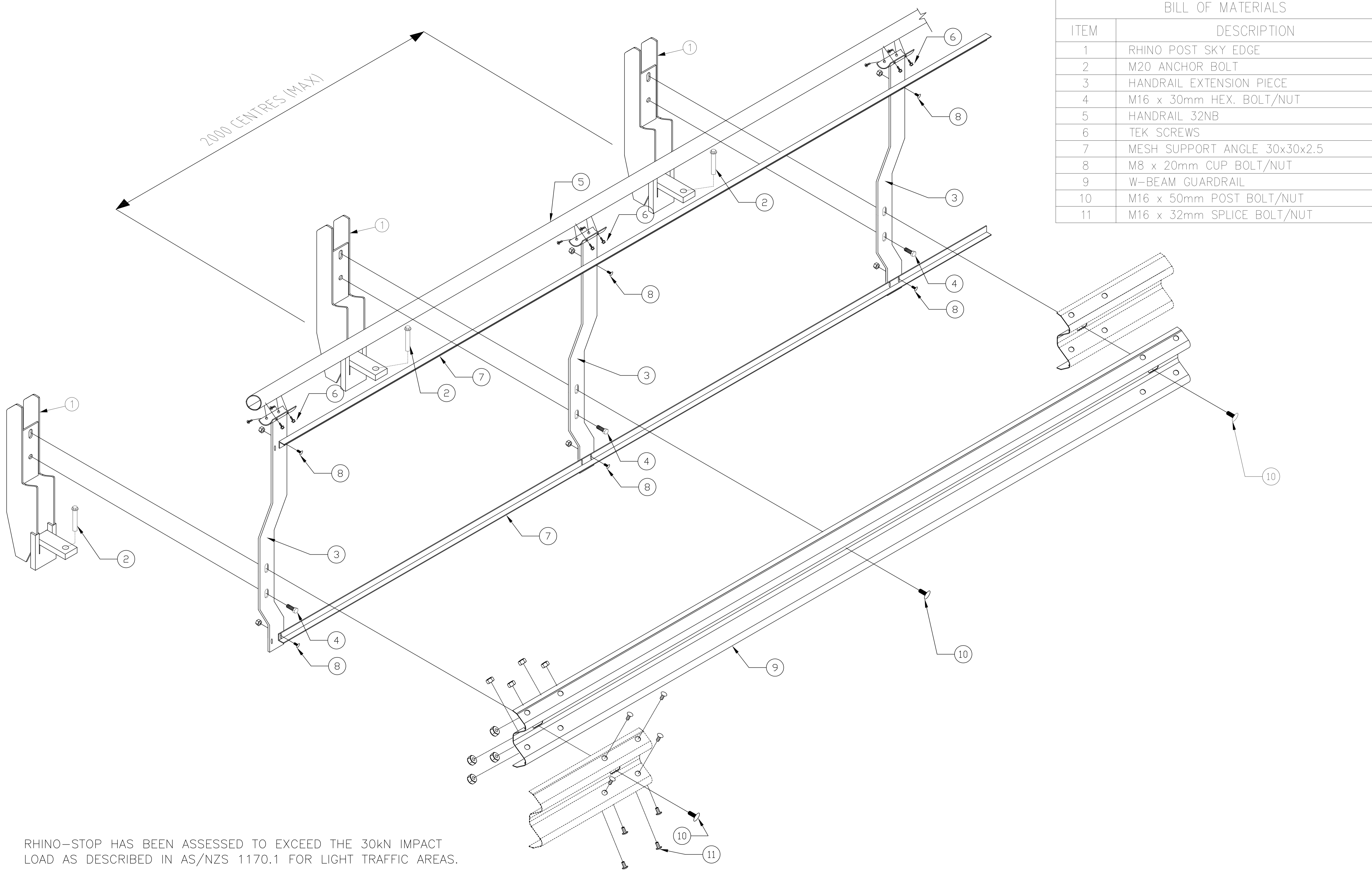


BILL OF MATERIALS

ITEM	DESCRIPTION
1	RHINO POST SKY EDGE
2	M20 ANCHOR BOLT
3	HANDRAIL EXTENSION PIECE
4	M16 x 30mm HEX. BOLT/NUT
5	HANDRAIL 32NB
6	TEK SCREWS
7	MESH SUPPORT ANGLE 30x30x2.5
8	M8 x 20mm CUP BOLT/NUT
9	W-BEAM GUARDRAIL
10	M16 x 50mm POST BOLT/NUT
11	M16 x 32mm SPLICE BOLT/NUT



RHINO-STOP HAS BEEN ASSESSED TO EXCEED THE 30kN IMPACT LOAD AS DESCRIBED IN AS/NZS 1170.1 FOR LIGHT TRAFFIC AREAS.

REV	DATE	DESCRIPTION	DRAWN	APPRD.
C	09.11.15	NEW HANDRAIL EXTENSIONS	MS	TC
B	16.07.14	REVISED FOR INITIAL ISSUE	DB	TC
A	04.11.13	INITIAL ISSUE	DB	TC

REV	DATE	DESCRIPTION	DRAWN	APPRD.

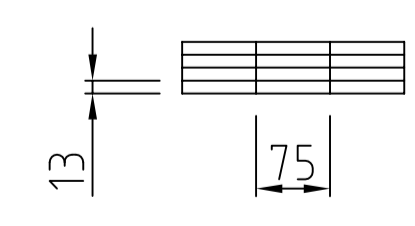
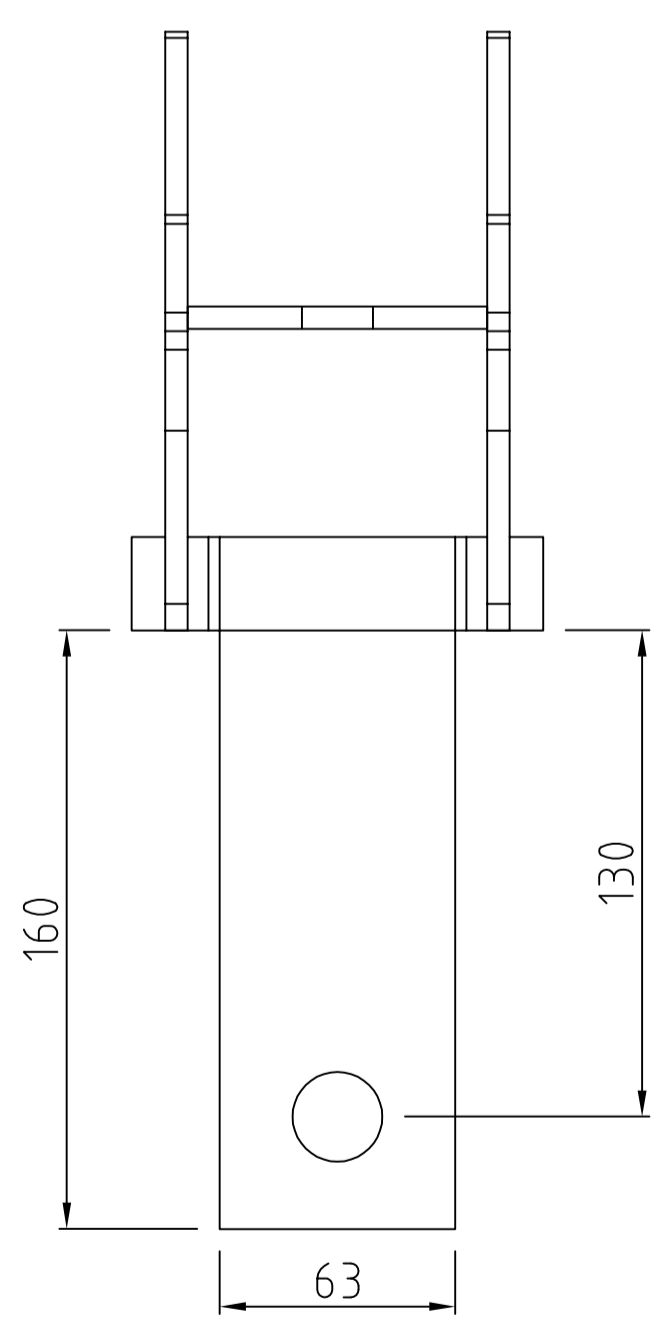
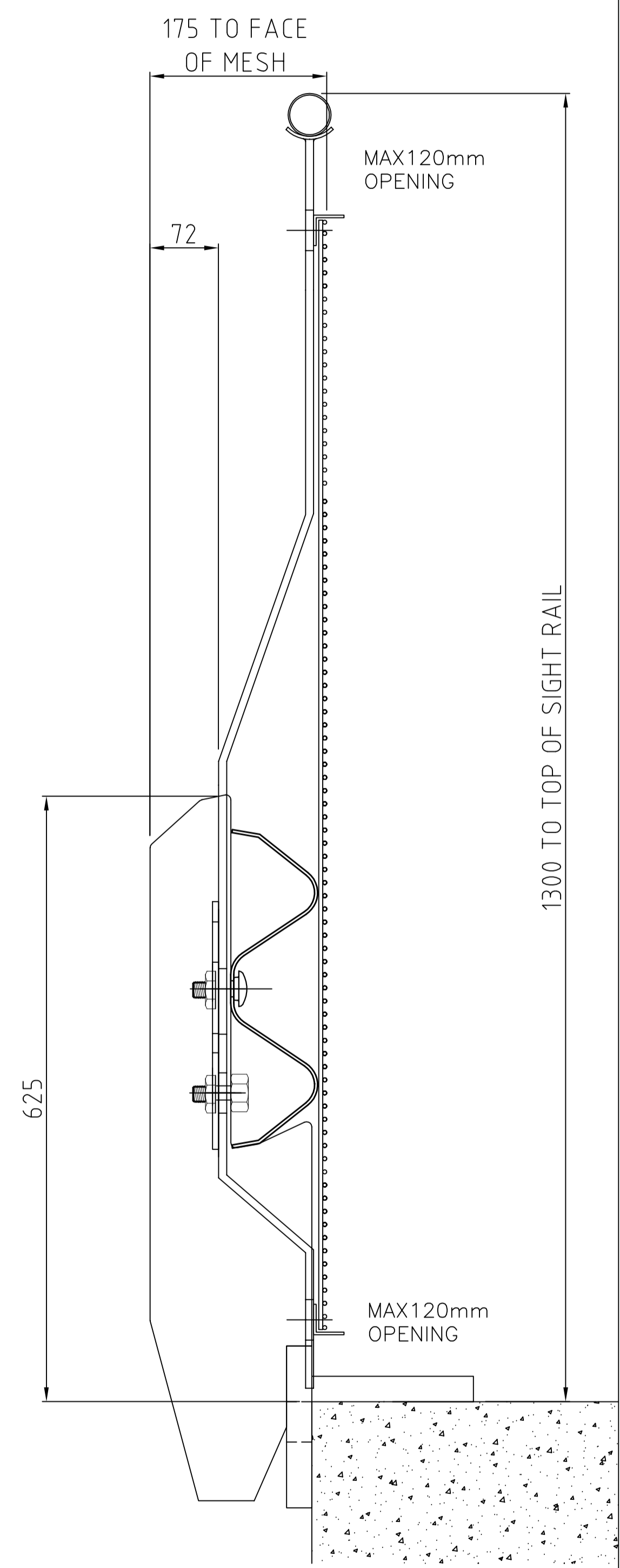
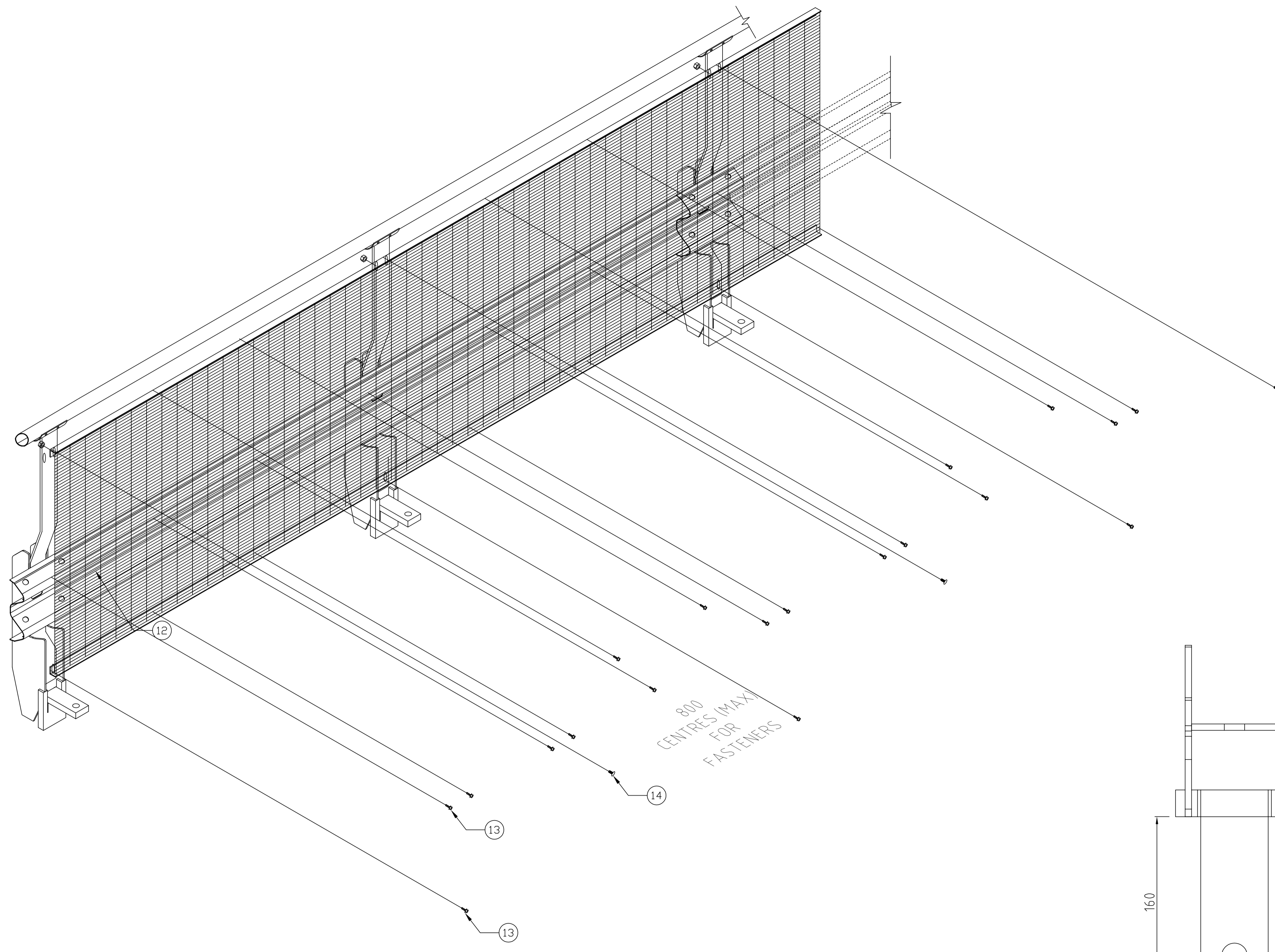


DRAWING DESCRIPTION  
DRAWING REFERENCE

<b>RHINO-STOP SKY EDGE TYPE 6 ASSEMBLY SHEET 1 OF 2</b>			
<b>GR-WB-035</b>	DRAWN BY	M. SEAL	DIMENSIONS
	CHECKED	H. WALLACE	SCALE
	APPROVED	T. COLQUHOUN	mm NTS



BILL OF MATERIALS	
ITEM	DESCRIPTION
12	MESH INFILL PANEL 1800x1100
13	TEK SCREWS
14	M8 x 20mm CUP BOLT/NUT



RHINO-STOP HAS BEEN ASSESSED TO EXCEED THE 30kN IMPACT LOAD AS DESCRIBED IN AS/NZS 1170.1 FOR LIGHT TRAFFIC AREAS.

**MESH DETAIL**

**BASE PLATE DETAIL**

**POST ELEVATION**

REV	DATE	DESCRIPTION	DRAWN	APPRD.
C	18.09.15	NEW HANDRAIL EXTENSION	MS	TC
B	16.07.14	REVISED FOR INITIAL ISSUE	DB	TC
A	04.11.13	INITIAL ISSUE	DB	TC

REV	DATE	DESCRIPTION	DRAWN	APPRD.



DRAWING DESCRIPTION	RHINO-STOP SKY EDGE TYPE 6 ASSEMBLY SHEET 2 OF 2			
	DRAWN BY	M. SEAL	DIMENSIONS	mm
DRAWING REFERENCE	GR-WB-035			
	CHECKED	H. WALLACE	SCALE	NTS
APPROVED	T. COLQUHOUN			