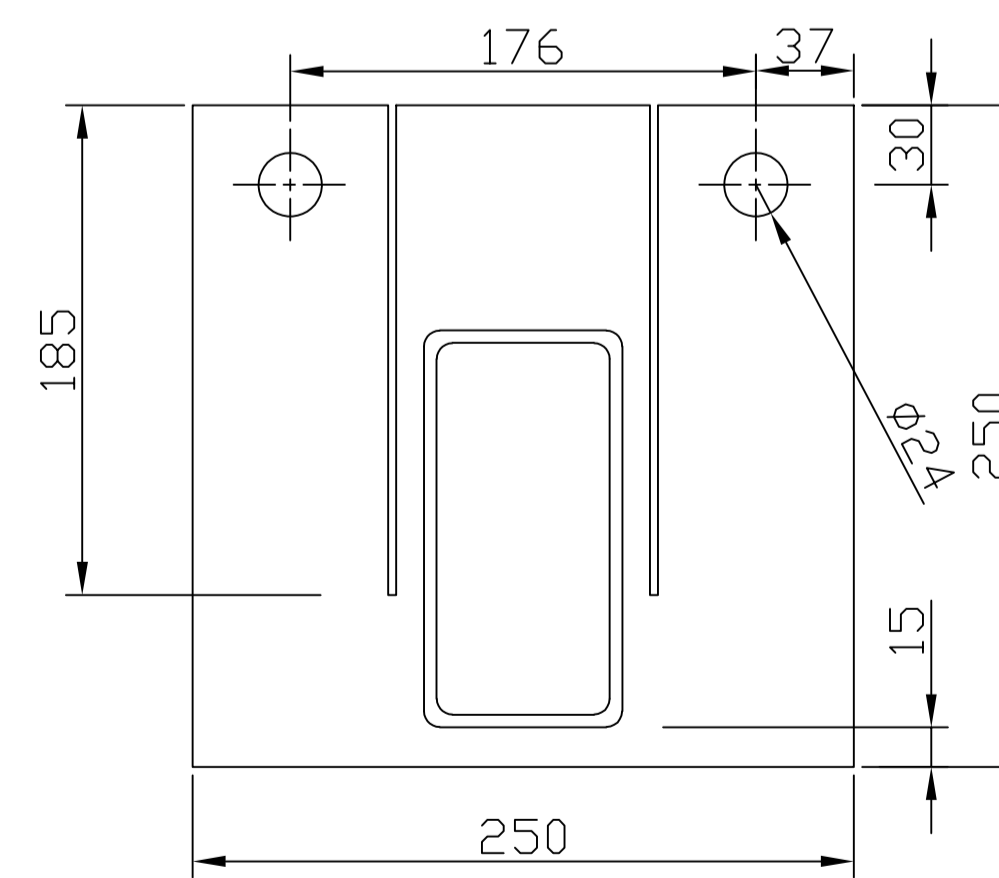
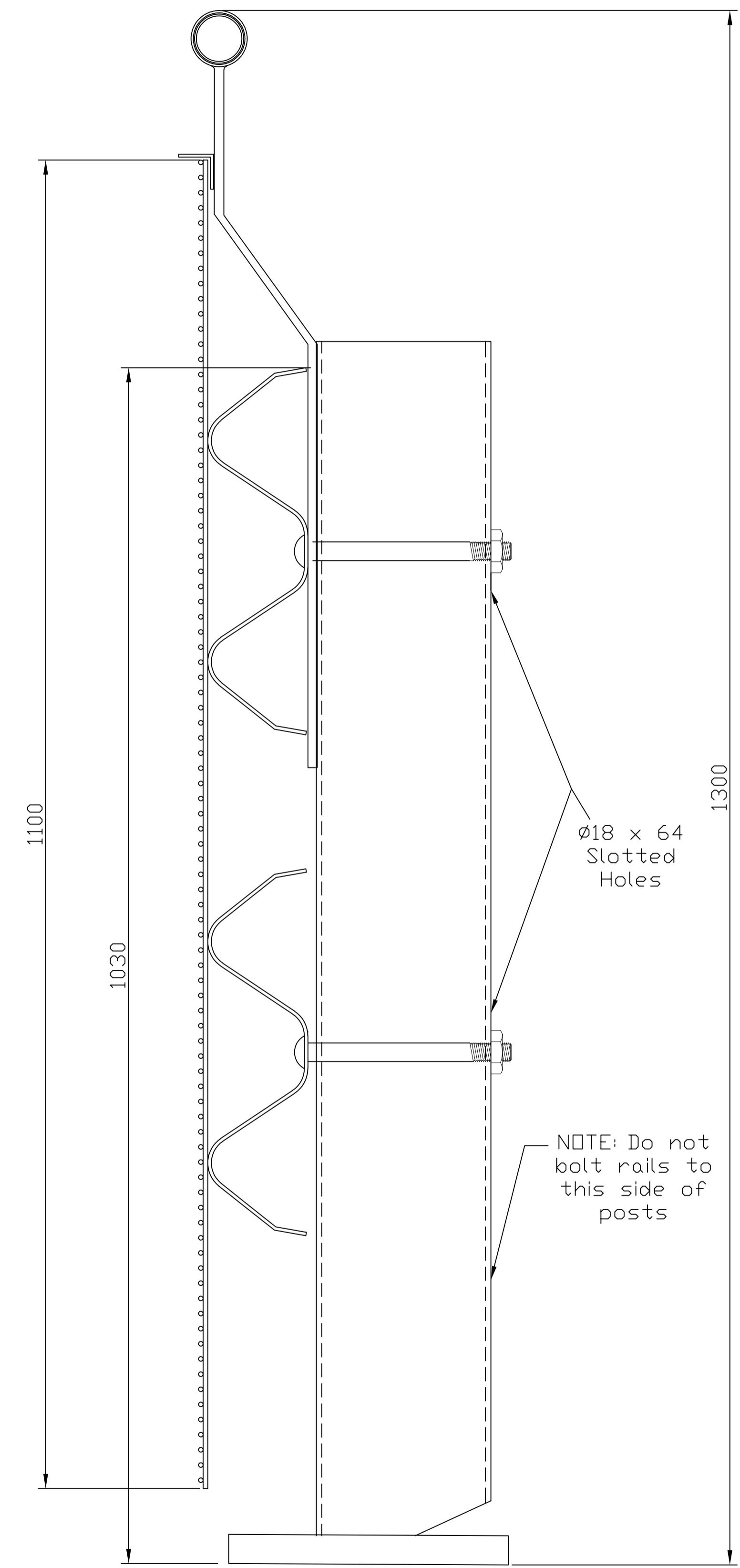


BILL OF MATERIALS	
ITEM	DESCRIPTION
1	RHINO STOP TRUCK GUARD POST
2	W-BEAM GUARDRAIL
3	HANDRAIL EXTENSION
4	ANGLE SUPPORT
5	ANTICLIMB MESH
6	HANDRAIL PIPE
7	TEK SCREWS

Rhino-Stop Truck Guard has been assessed to exceed the 40kN impact load as described in AS/NZS 1170.1 for Medium Traffic areas.



Baseplate Detail



Elevation View

REV	DATE	DESCRIPTION	DRAWN	APPRD.
A	19.12.2018	INITIAL ISSUE	M.S	H.W

REV	DATE	DESCRIPTION	DRAWN	APPRD.



DRAWING DESCRIPTION		Rhino-Stop Truck Guard Type 5		
DRAWING REFERENCE		GR-WB-045		DIMENSIONS mm
DRAWN BY		M. SEAL	CHECKED	T. COLQUHOUN
APPROVED		H. WALLACE		