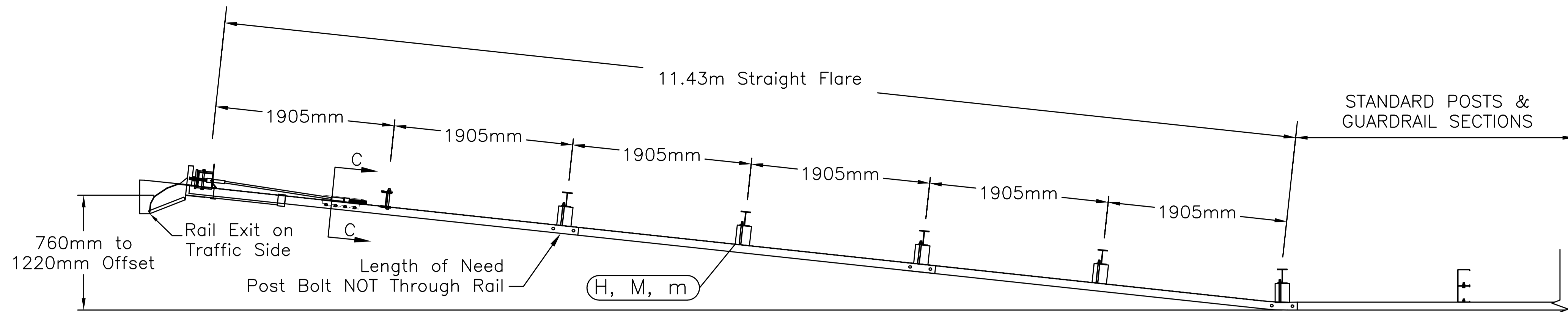


ITEM	QTY	BILL OF MATERIALS	ITEM NO.
A	1	FLEAT IMPACT HEAD	GE-EF-MX-4444-AG
B	1	SLOTTED ANCHOR RAIL	GE-WB-SR-3810-BG
C	2	W-BEAM GUARDRAIL 3810	GR-WB-SR-3810-AG
D	1	TOP POST 1	GE-PG-IS-0650-BG
E	1	BOTTOM POST 1	GE-PG-IS-1900-BG
F	1	TOP POST 2	GE-PG-IS-0700-AG
G	1	BOTTOM POST 2	GE-PG-IS-1100-AG
H	5	STEEL LINE POST	GE-PG-IS-1830-CG
J	1	BEARING PLATE	GE-EF-MX-0011-AG
K	1	ANCHOR CABLE BRACKET	GE-EF-MX-0015-AG
L	1	CABLE ASSEMBLY	GE-EF-MX-2000-AG
M	5	COMPOSITE BLOCK	GE-BL-SS-0310-AS

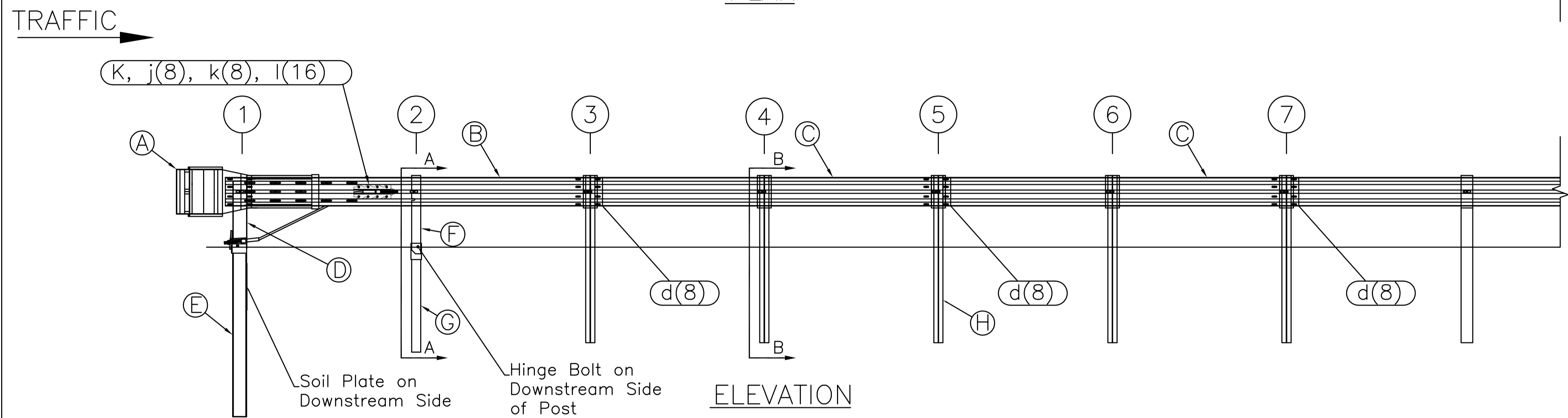
HARDWARE			
a	2	5/16" x 1" HEX BOLT	GE-FS-56-0001-HG
b	4	5/16" WASHER	GE-FS-56-0000-AG
c	2	5/16" NUT	GE-FS-56-0000-HG
d	25	M16 x 32mm SPLICE BOLT/NUT	GR-FS-16-0016-MG
e	1	M16 x 220mm BOLT/NUT/WASHER	GE-FS-16-0220-HG
f	1	M16 WASHER	GE-FS-16-0000-CG
g	1	M20 x 220mm BOLT/NUT/WASHER	GE-FS-20-0220-HG
h	1	M20 WASHER	GE-FS-20-0000-BG
j	8	1/2" x 1 1/4" ANCHOR BRACKET SHOULDER BOLT	GE-FS-12-0114-HG
k	8	1/2" ANCHOR BRACKET NUT	GE-FS-12-0000-HG
l	16	1/2" ANCHOR BRACKET WASHER	GE-FS-12-0000-AG
m	5	M16 x 255mm POST BOLT/NUT	GE-FS-16-0255-NG

NOTES:

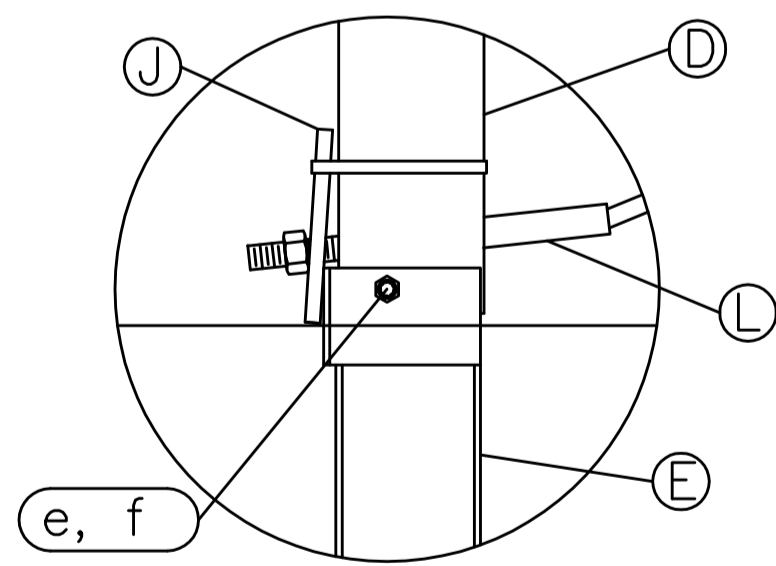
1. THE LOWER SECTIONS OF POSTS 1 & 2 SHALL NOT PROTRUDE MORE THAN 100mm ABOVE GROUND.
2. THE CABLE ASSEMBLY MUST BE TAUT.



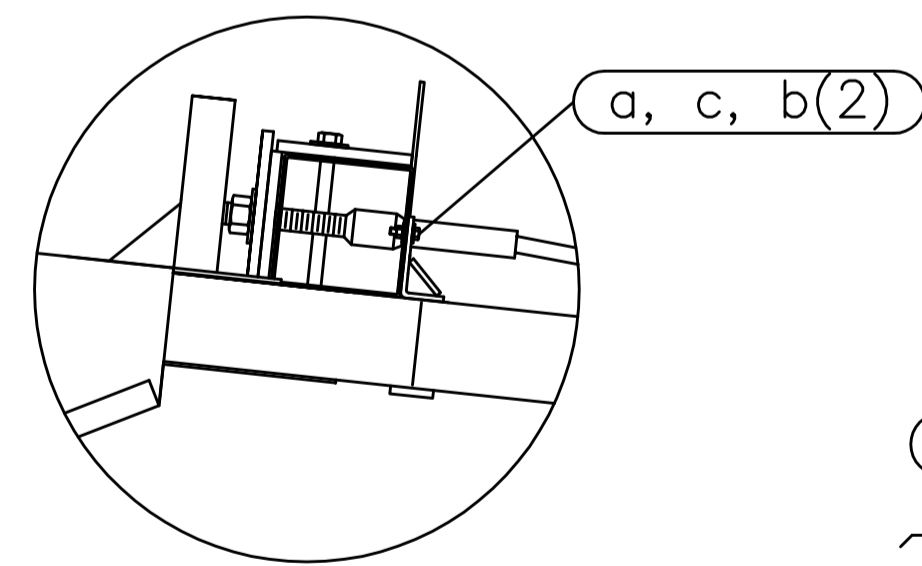
PLAN



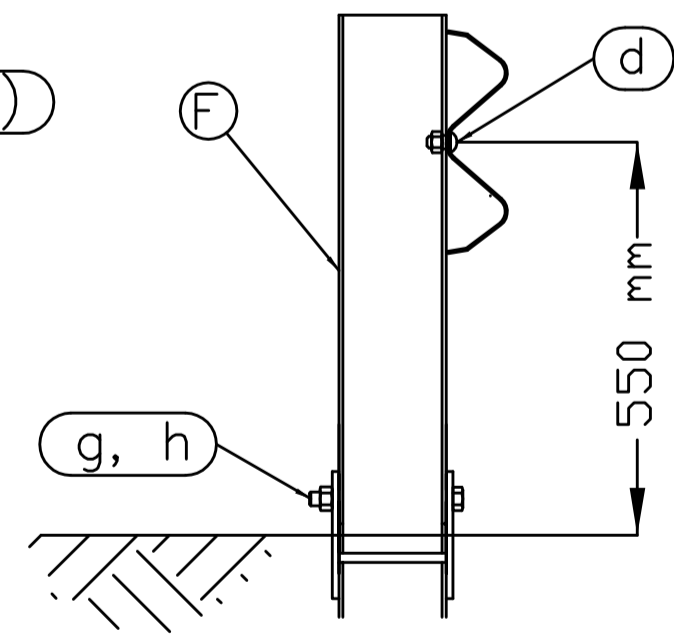
ELEVATION



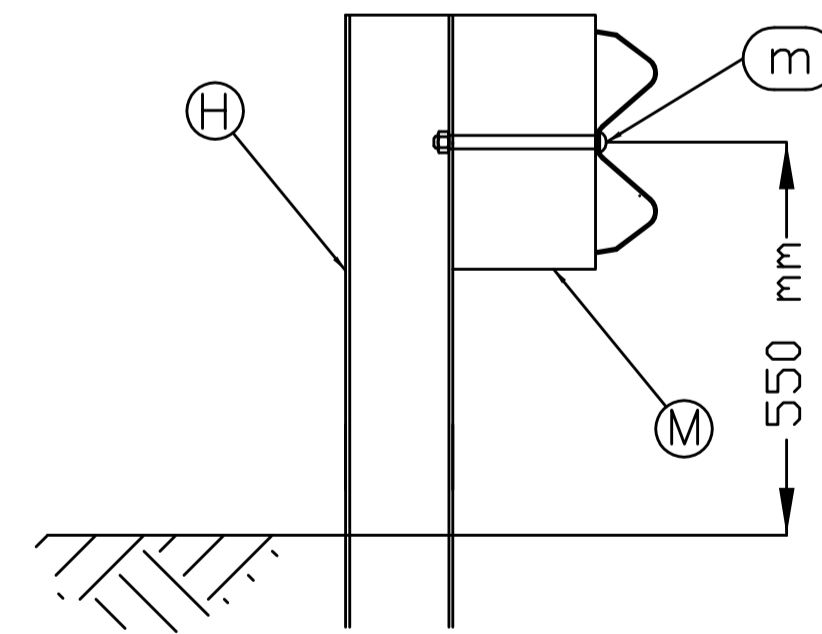
Post #1 Connection Detail



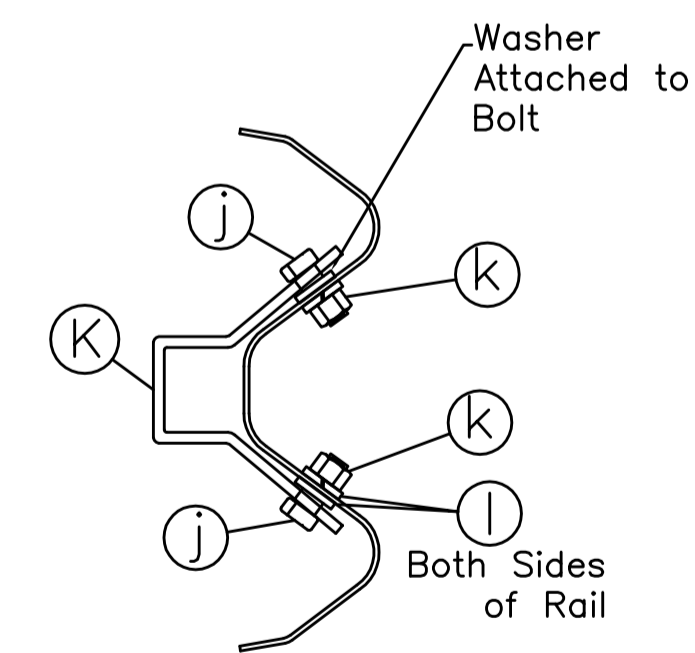
Impact Head Connection Detail



SECTION A-A
Post #2



SECTION B-B
Posts #3 thru #7



SECTION C-C
Anchor Bracket

REV	DATE	DESCRIPTION	DRAWN	APPRD.	REV	DATE	DESCRIPTION	DRAWN	APPRD.
E	03.09.14	REISSUED FOR APPROVAL	DB	TC					
D	21.05.13	ISSUED FOR APPROVAL	DB	TC					
C	23.04.13	REVISED AND ISSUED FOR REVIEW	DB	TC					
B	12.03.13	INITIAL ISSUE	DB	TC					
A	11.03.13	ISSUED FOR REVIEW	DB	TC					



DRAWING DESCRIPTION
DRAWING REFERENCE

NCHRP-350 TL3 FLEAT-SP TERMINAL

K-FLEAT SP TL3

DRAWN BY	AUSTEC DRAFTING	DIMENSIONS	mm
CHECKED	H. WALLACE	SCALE	NTS
APPROVED	T. COLQUHOUN		