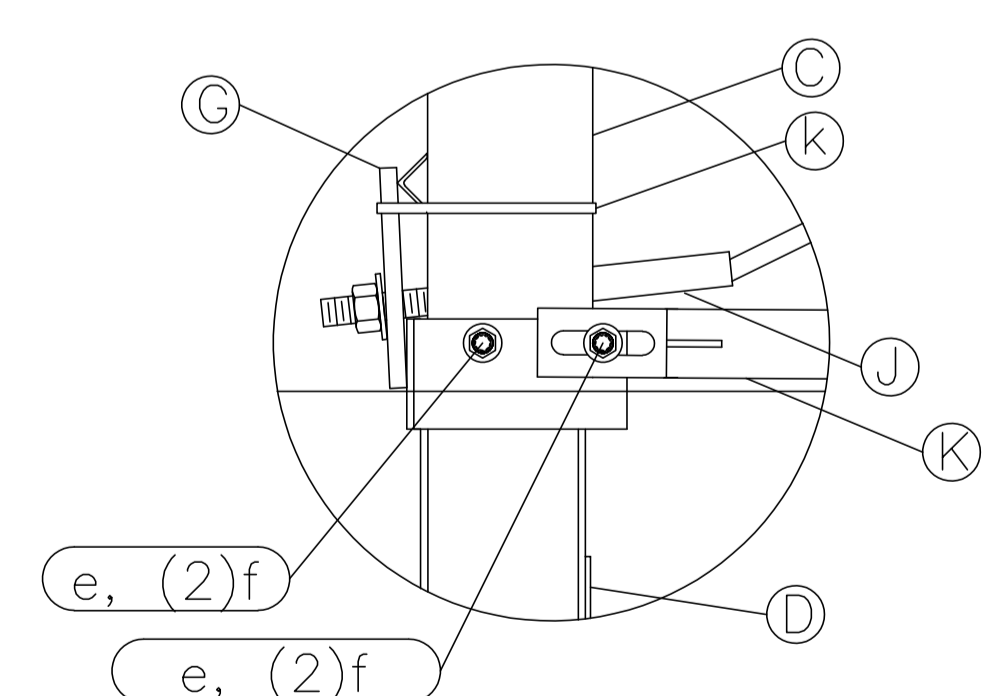


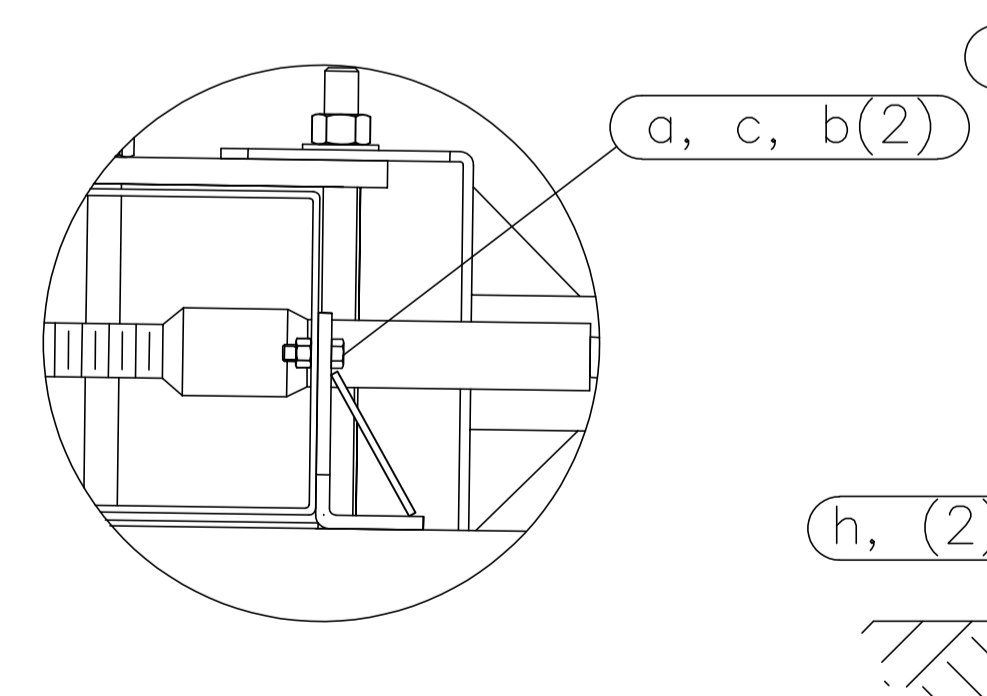
ITEM	QTY	BILL OF MATERIALS	ITEM NO.
A	1	SKT IMPACT HEAD	GE-EF-MX-3333-BG
B	1	SLOTTED ANCHOR RAIL 3810	GE-WB-SR-3810-BG
C	1	TOP POST 1	GE-PG-IS-0650-CG
D	1	BOTTOM POST 1	GE-PG-IS-1900-CG
E	1	TOP POST 2	GE-PG-IS-0860-AG
F	1	BOTTOM POST 2	GE-PG-IS-1950-AG
G	1	BEARING PLATE	GE-EF-MX-0011-AG
H	1	ANCHOR CABLE BRACKET	GE-EF-MX-0015-AG
J	1	CABLE ASSEMBLY	GE-EF-MX-2000-AG
K	1	GROUND STRUT	GE-EF-MX-4020-BG
L	6	STEEL LINE POST	GE-PG-IS-1830-CG
M	6	COMPOSITE BLOCK	GE-BL-SS-0310-AS
N	1	W-BEAM GUARDRAIL 2860mm	GE-WB-SR-2860-AG
O	2	W-BEAM GUARDRAIL 3810mm	GE-WB-SR-3810-CG
HARDWARE			
a	2	M8 x 25mm HEX BOLT	GE-FS-08-0025-HG
b	4	M8 WASHER	GE-FS-08-0000-AG
c	2	M8 NUT	GE-FS-08-0000-HG
d	33	M16 x 32mm SPLICE BOLT/NUT	GR-FS-16-0032-MG
e	2	M16 x 220mm BOLT / NUT	GE-FS-16-0220-HG
f	4	M16 WASHER	GE-FS-16-0000-CG
g	6	5/8" x 10" POST BOLT / NUT	GE-FS-58-0010-MG
h	1	M20 x 220mm BOLT / NUT	GE-FS-20-0220-HG
j	1	M20 WASHER	GE-FS-20-0000-BG
k	1	BEARING PLATE RETAINER TIE	GE-MX-MX-0011-AS
l	8	1/2" x 1 1/4" SHOULDER BOLT	GE-FS-12-0114-HG
m	8	1/2" SHOULDER BOLT NUT	GE-FS-12-0000-HG
n	16	1/2" SHOULDER BOLT WASHER	GE-FS-12-0000-AG

NOTES:

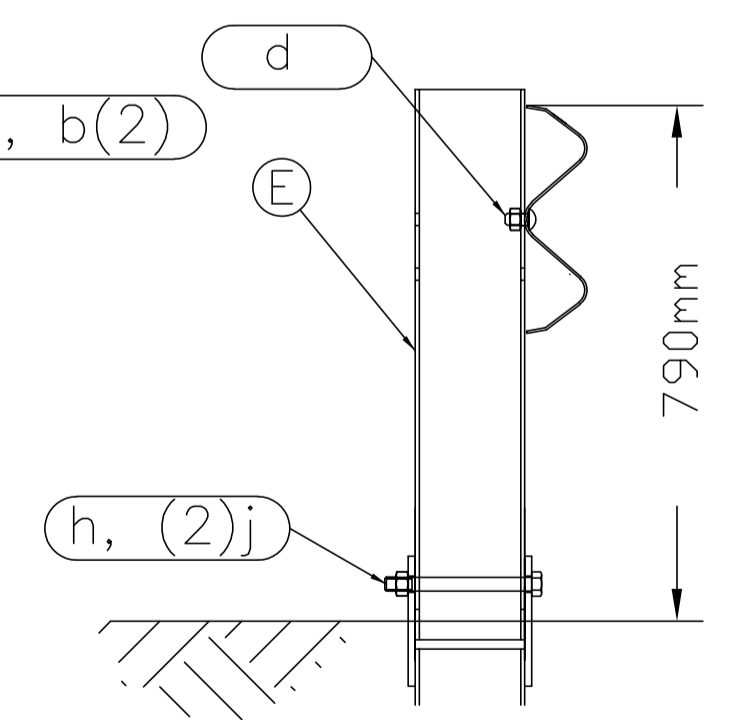
1. THE LOWER SECTIONS OF POSTS 1 & 2 SHALL NOT PROTRUDE MORE THAN 100mm ABOVE GROUND.
2. THE CABLE ASSEMBLY MUST BE TAUT.



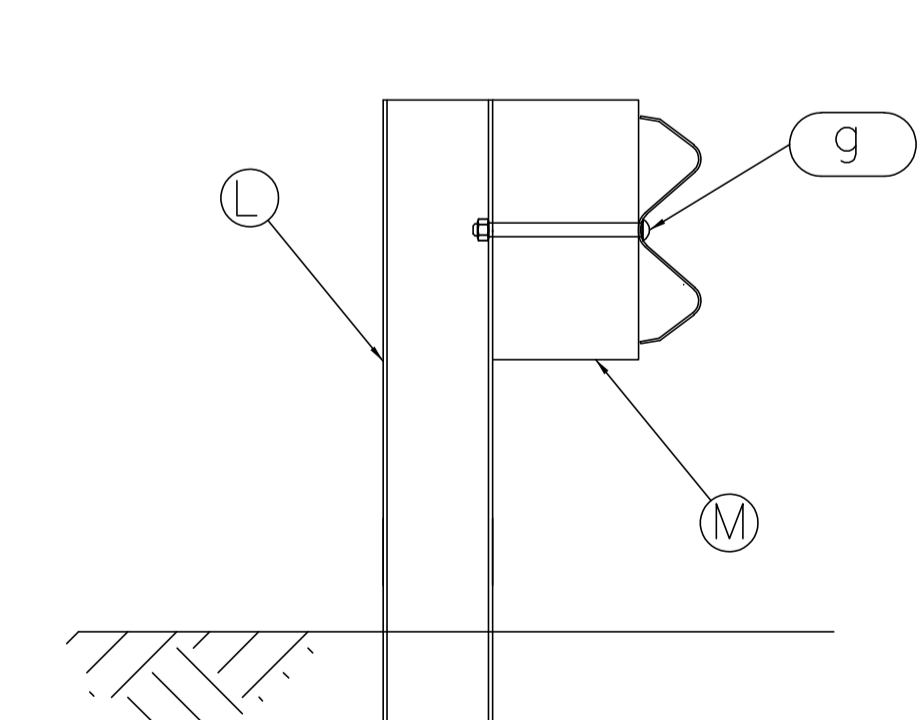
Post #1 Connection Detail



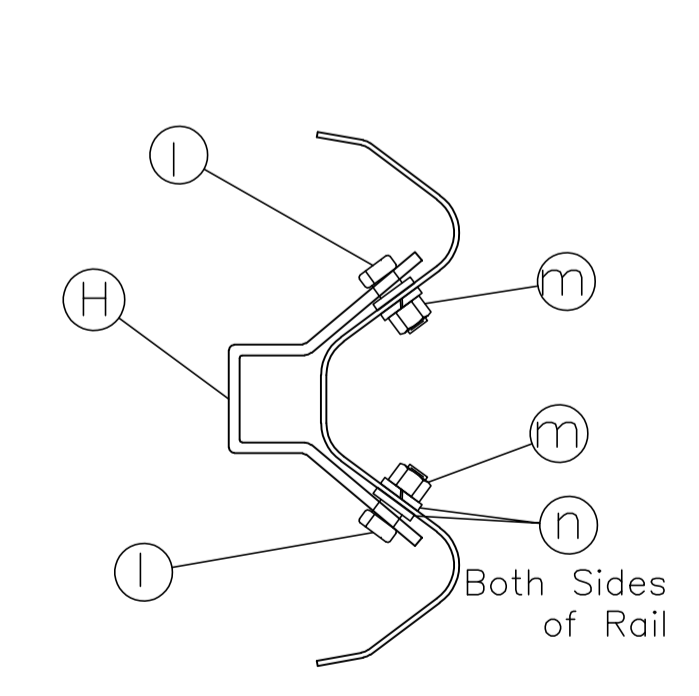
Impact Head Connection Detail



SECTION A-A
Post #2



SECTION B-B
Posts #3 thru #8



SECTION C-C
Anchor Bracket

REV	DATE	DESCRIPTION	DRAWN	APPRD.	REV	DATE	DESCRIPTION	DRAWN	APPRD.
A	21.08.17	INITIAL ISSUE	MS	TC					



DRAWING DESCRIPTION	MASH TL3 SKT TERMINAL (MSKT)				
	DRAWING REFERENCE	DRAWN BY	M. SEAL	DIMENSIONS	mm
		K-MSKT TL3	CHECKED	H. WALLACE	SCALE
	APPROVED	T. COLQUHOUN			