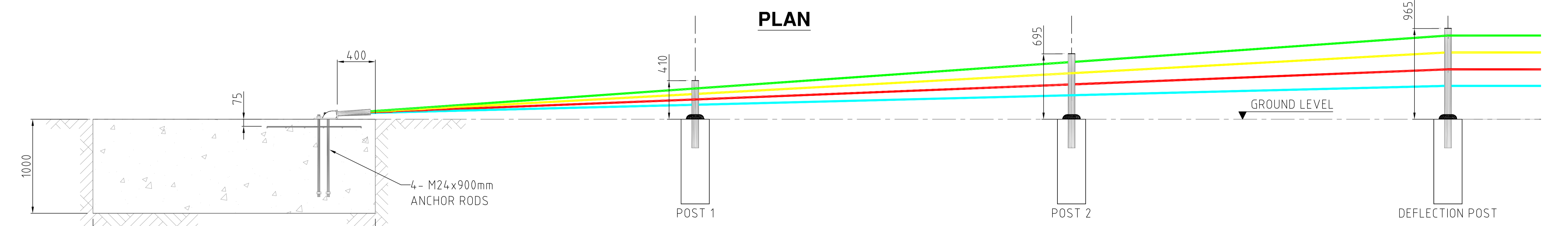
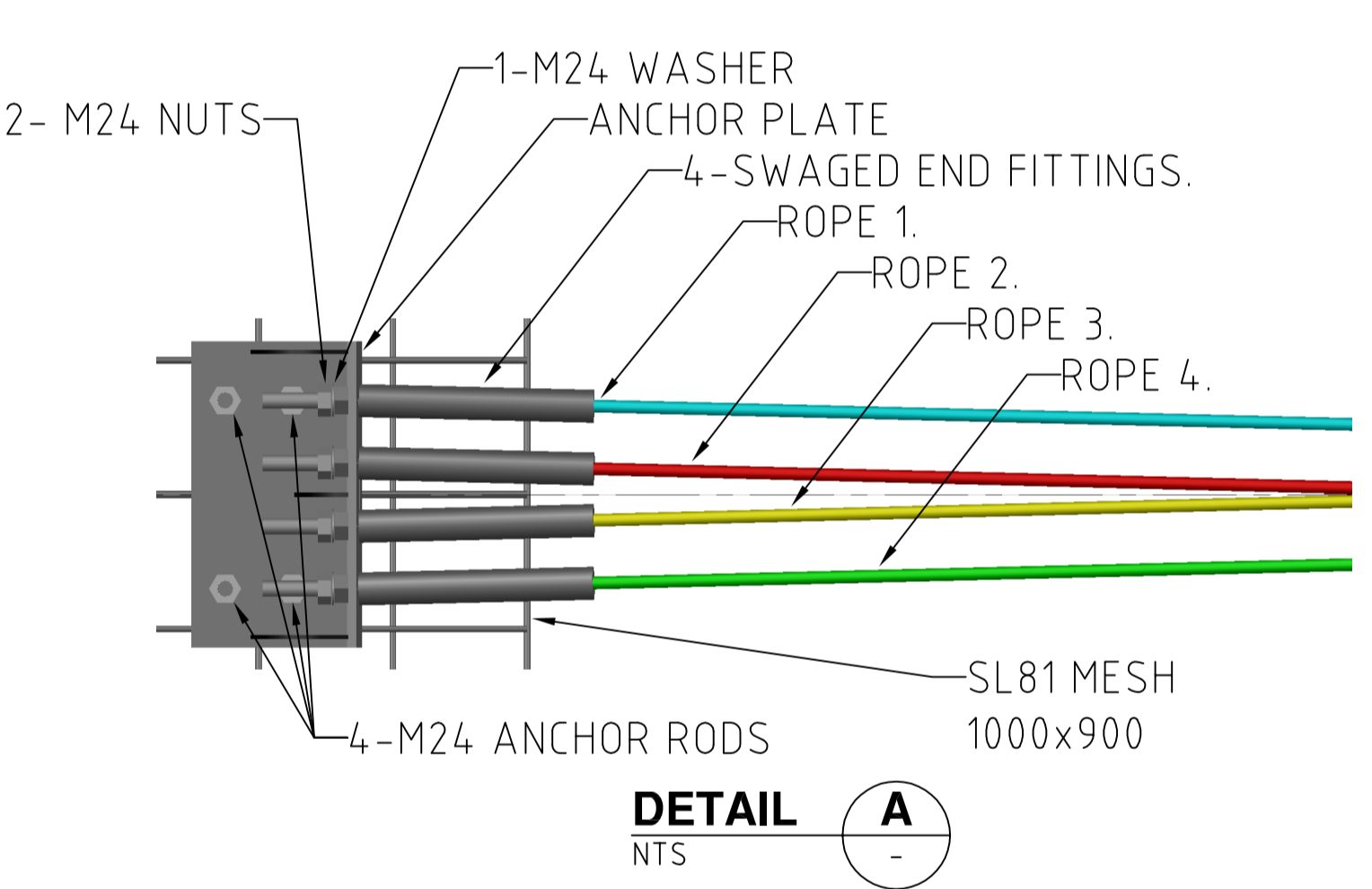


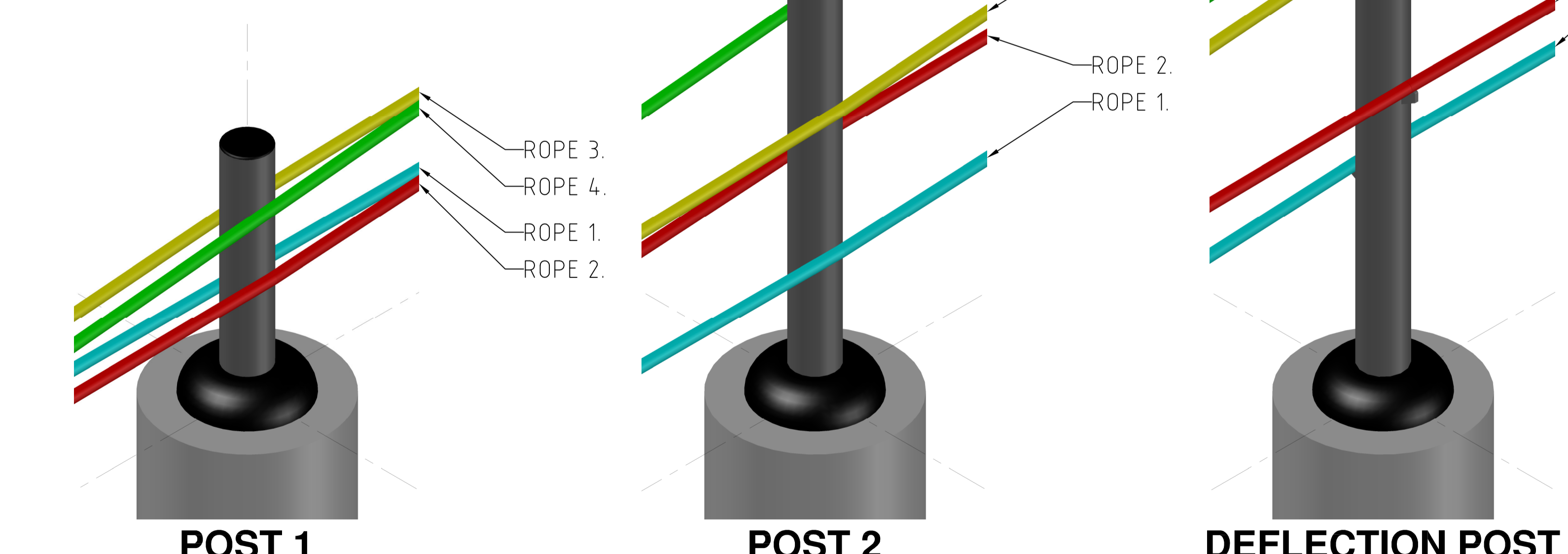
**PLAN**



**ELEVATION**



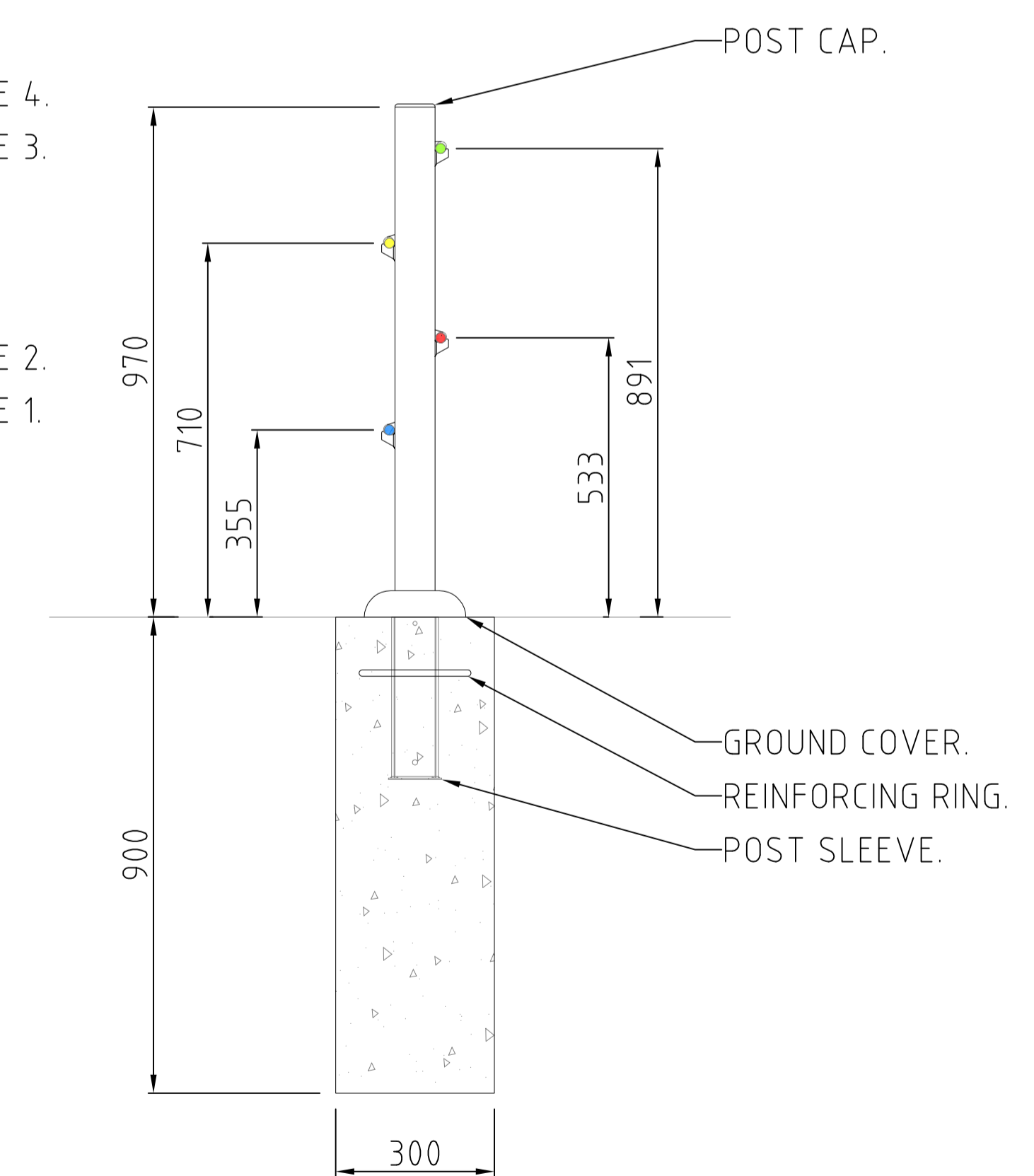
**DETAIL A**  
NTS



**POST 1**

**POST 2**

**DEFLECTION POST**



**DEFLECTION POST (ELEVATION)**

- NOTES:**
- DIMENSIONS IN MM.
  - ALL FOUNDATION DEPTHS TO BE MEASURED FROM ADJACENT GROUND LEVEL.
  - CONCRETE SHALL HAVE A MINIMUM 28-DAY STRENGTH OF 25MPA.
  - ALLOWABLE TOLERANCES:
    - A. POST SLEEVE FINISHING HEIGHT:  $\pm 20$ MM TO GROUND LEVEL
    - B. ROPE HEIGHT:  $\pm 25$ MM
  - THE ANCHOR PLATE SHALL BE INSTALLED LEVEL. IF THE ANCHOR BLOCK IS INSTALLED ON A CROSS SLOPE, THE PLATE SHOULD BE INSTALLED TO MATCH THE SLOPE.
  - RIGGING SCREWS (TENSION BAYS) ARE NOT TO BE LOCATED WITHIN THE TERMINAL SECTION.
  - THE WEAVE ORIENTATION MAY BE REVERSED ON THE TRAILING END DEPENDING ON NUMBER OF POSTS WITHIN THE LENGTH OF NEED SECTION.

REV	DATE	DESCRIPTION	DRAWN	APPRD.
A	27.09.19	INITIAL ISSUE	DB	TC

REV	DATE	DESCRIPTION	DRAWN	APPRD.



DRAWING DESCRIPTION	<b>MASH TL3 BRIFEN END TERMINAL</b>				
	DRAWING REFERENCE	WR-STD-02	DRAWN BY	AUSTEC DRAFTING	
			CHECKED	H. WALLACE	
		APPROVED	T. COLQUHOUN	DIMENSIONS	mm
				SCALE	NTS