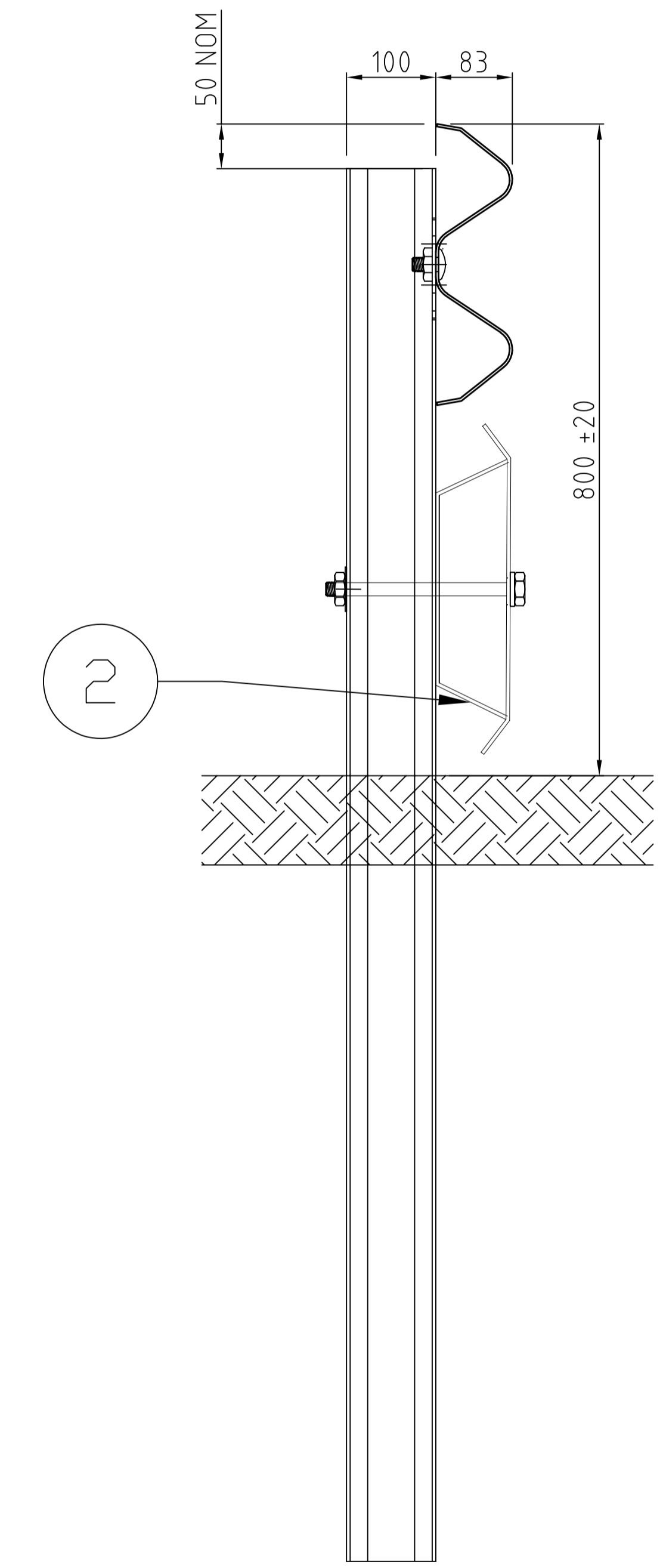
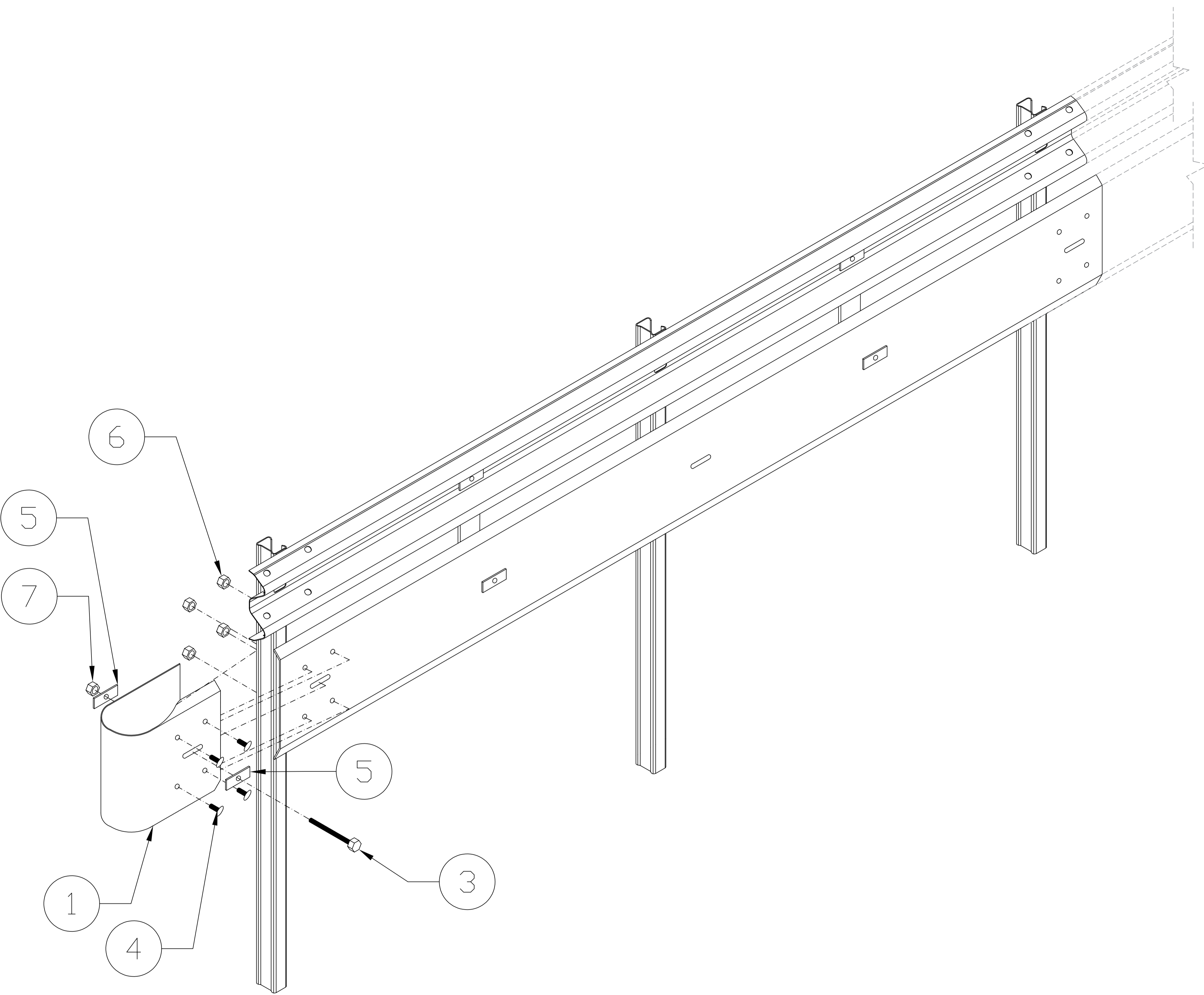


BILL OF MATERIALS

ITEM	DESCRIPTION
1	BIKER-SHIELD BULLNOSE
2	POST BRACKET
3	M16x200 BOLT
4	M16x32 MUSHROOM HEAD BOLT
5	PLATE WASHER
6	M16 OVERSIZE NUT
7	M16 STANDARD NUT



POST ELEVATION

- NOTES:**
1. Ramshield assembly in accordance with GR-WB-060
 2. Ramshield Guardrail has been crash tested in accordance with MASH Test level 3 at rail heights of between 730mm & 820mm
 3. An installed rail height of 800mm ± 20mm provides compatibility with MASH guardrail end terminals.

REV	DATE	DESCRIPTION	DRAWN	APPRD.	REV	DATE	DESCRIPTION	DRAWN	APPRD.
C	12.08.19	ROUND WASHER REMOVED	MS	TC					
B	02.04.19	RAIL HEIGHT AMENDED	MS	TC					
A	11.07.18	INITIAL ISSUE	MS	TC					



DRAWING DESCRIPTION	BIKER-SHIELD BULLNOSE ATTACHMENT					
	DRAWN BY	M. SEAL	DIMENSIONS	mm		
DRAWING REFERENCE	GR-WB-122		CHECKED	H. WALLACE	SCALE	NTS
	APPROVED	T. COLQUHOUN				