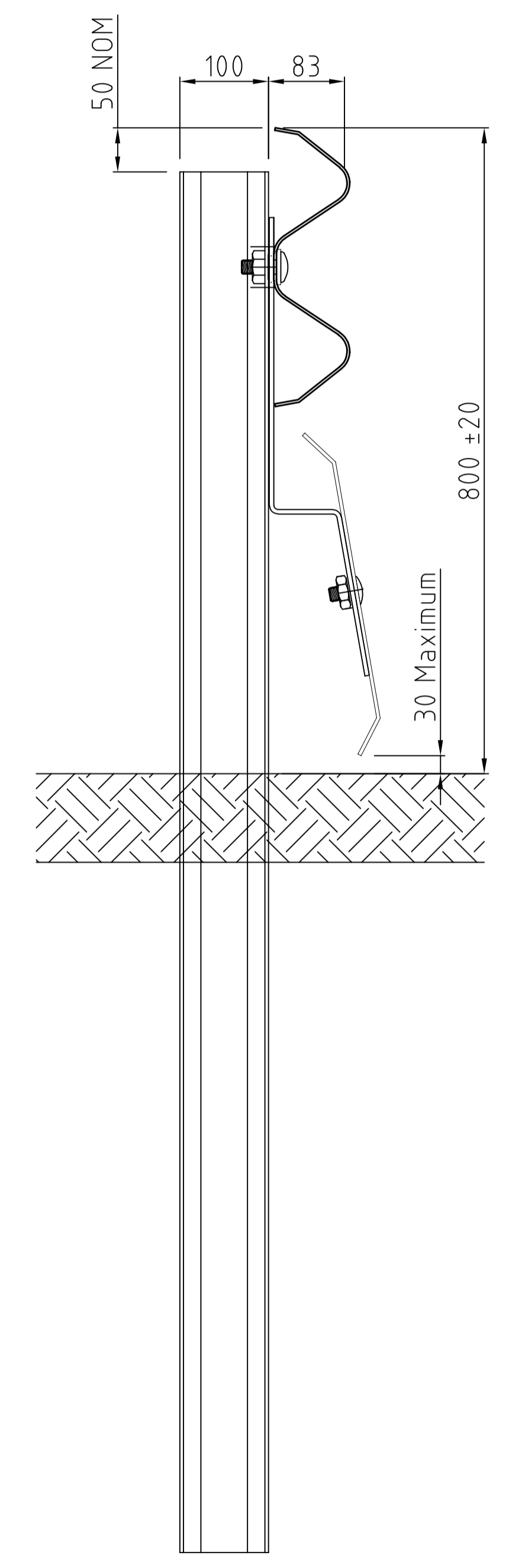


BILL OF MATERIALS	
ITEM	DESCRIPTION
1	MOUNTING BRACKET
2	BIKER-SHIELD BEAM
3	M16x32 MUSHROOM HEAD BOLT
4	M16x50 MUSHROOM HEAD BOLT
5	PLATE WASHER
6	M16 OVERSIZE NUT



POST ELEVATION

- NOTES:**
- Ramshield assembly in accordance with GR-WB-060
 - Ramshield Guardrail has been crash tested in accordance with MASH Test level 3 at rail heights of between 730mm & 820mm
 - An installed rail height of 800mm ± 20mm provides compatibility with MASH guardrail end terminals.

REV	DATE	DESCRIPTION	DRAWN	APPRD.	REV	DATE	DESCRIPTION	DRAWN	APPRD.
D	30.06.20	BRACKET AMENDED	MS	TC					
c	12.08.19	ROUND WASHER REMOVED	MS	TC					
B	02.04.19	RAIL HEIGHT AMENDED	MS	TC					
A	11.07.18	INITIAL ISSUE	MS	TC					



DRAWING DESCRIPTION	RAMSHIELD WITH BIKER-SHIELD ASSEMBLY			
	DRAWN BY	M. SEAL	DIMENSIONS	mm
DRAWING REFERENCE	GR-WB-121			
	CHECKED	H. WALLACE	SCALE	NTS
	APPROVED	T. COLQUHOUN		