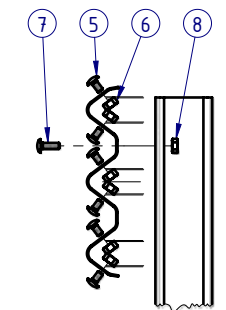
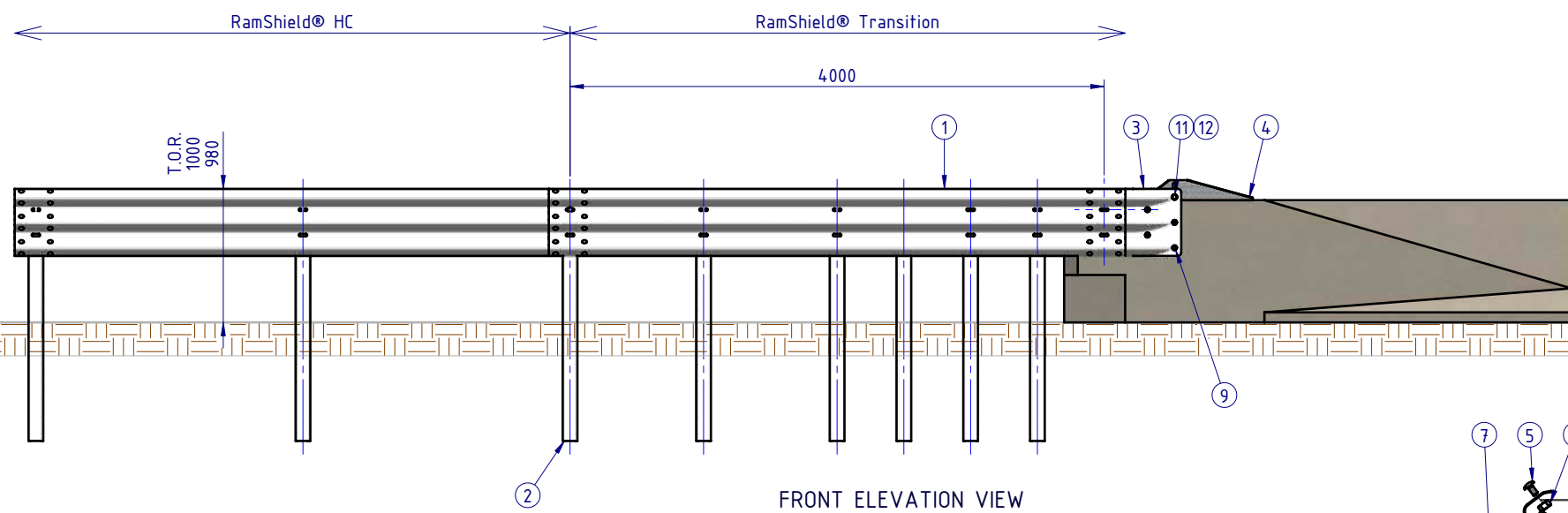
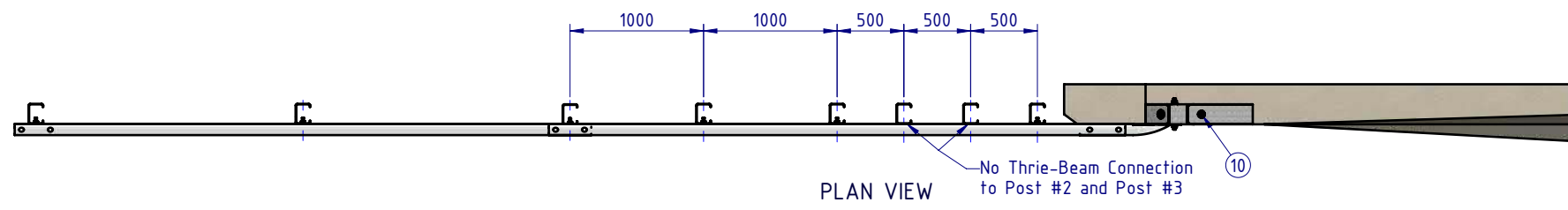
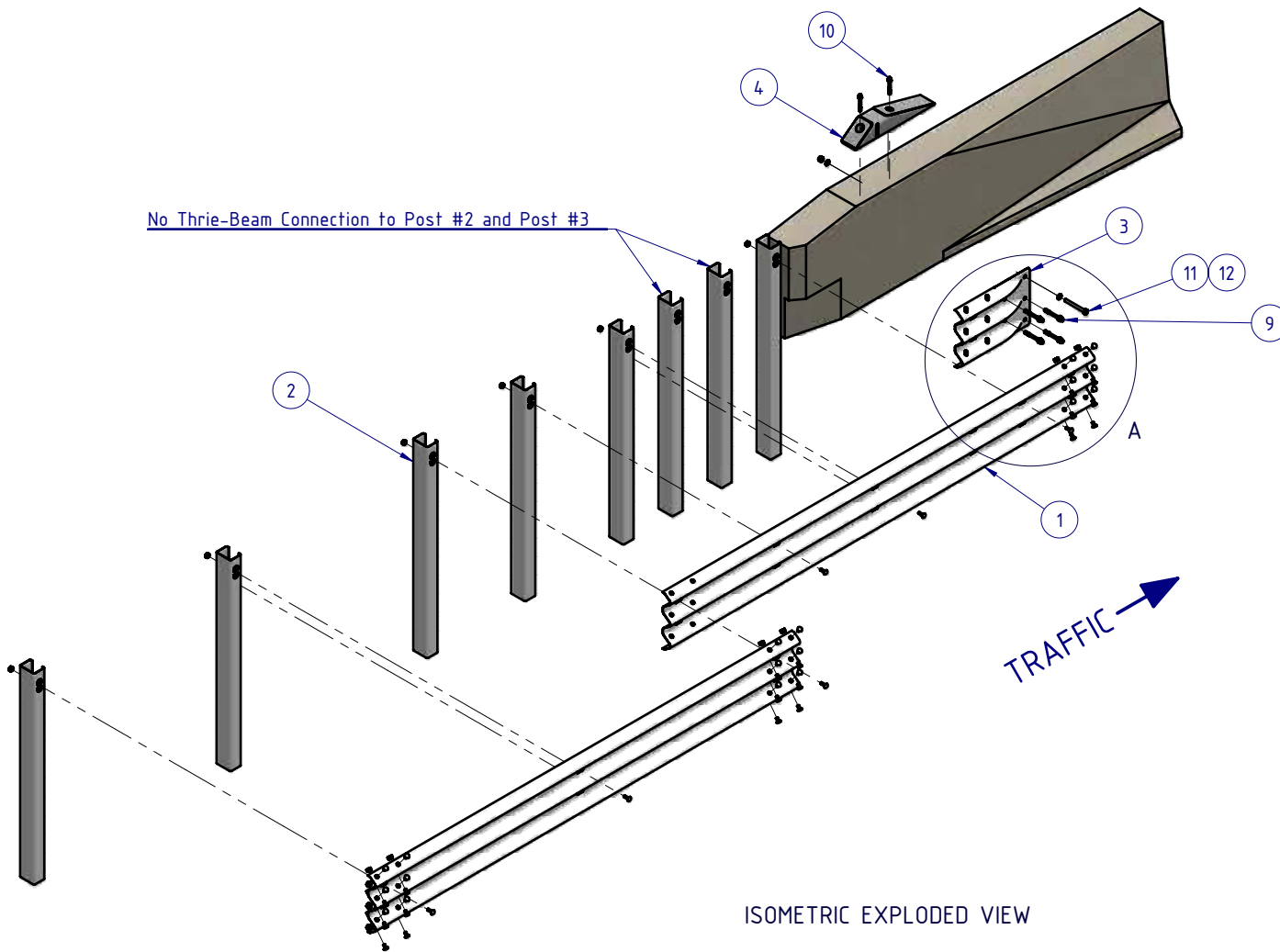


REVISIONS				
REV.	ZONE	DESCRIPTION	DATE	APPV'D
A		PRELIMINARY ISSUE	14/10/2021	WR



BOM				
ITEM NO.	QTY	PART NUMBER	DESCRIPTION	Weight kg
1	1	GE-TB-SR-4000-BG	Thrie-Beam Bridge Approach GuardRail 3.5mm BMT	86.3
2	6	GR-PG-CS-1860-AG	RamShield® High Containment Post 1860mm	23.9
3	1	GE-EF-MX-0003-AG	Thrie-Beam Bridge Connection Bracket	10.7
4	1	GE-EF-MX-0024-AG	Top Mount Bridge Connection Bracket	14.8
5	24	GR-FS-16-0032-MZ	M16x32 Splice Bolt Gr8.8, HDG	0.1
6	24	GR-FS-16-0000-HG	M16 Hex Nut, 32A/F Oversize, Deep, Gr5, HDG	0.10
7	4	GR-FS-16-0050-MZ	M16x50 POST Bolt Gr8.8, HDG	0.1
8	4	GR-FS-16-0000-NG	M16 Hex Nut, 32A/F Oversize, Narrow, Gr5, HDG	0.08
9	4	GR-FS-20-0187-HG	FISCHER FBN II, M20x187mm	0.5
10	2	GR-FS-16-0145-HG	M16x145mm FISCHER FBN II	0.3
11	1	GE-FS-20-0200-HG	M20x200 B/N/W G8.8	0.1
12	1	GE-FS-20-0000-BG	M20 STRUCTURAL WASHER	

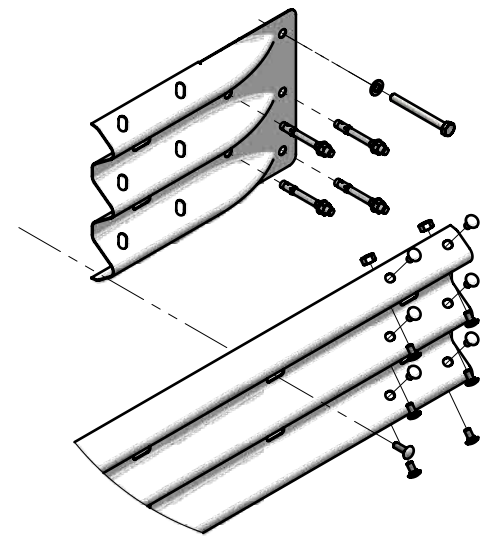
MATERIAL:				TITLE:	
FINISH: HOT DIP GALVANISED AS/NZS 4680				Road Barriers - Transitions RamShield® Transition HC to Concrete General Arrangement	
STATUS: NAME DATE			COPYRIGHT: All rights reserved. ABN: 53 156 459 684. These drawings, plans and specifications and the copyright therein are the properties of Safe Direction Pty Ltd, and must not be used, reproduced or copied wholly or in part without written permission.		DWG NO. SD-RB-04001
DRAWN: W.ROGULSKI 14/01/2022			U.N.O: TOLERANCES: ±1mm ALL DIMENSIONS ARE IN: mm		REVISION: A
CHK'D: T.COLQUHOUN 14/10/2021			THIRD ANGLE PROJECTION		SHEET SIZE: A4
APPV'D: H. Wallace 14/10/2021			STATUS: APPROVED		WEIGHT: 6185.43kg
					SCALE: 1:50
					SHEET 1 of 3





No Thrie-Beam Connection to Post #2 and Post #3

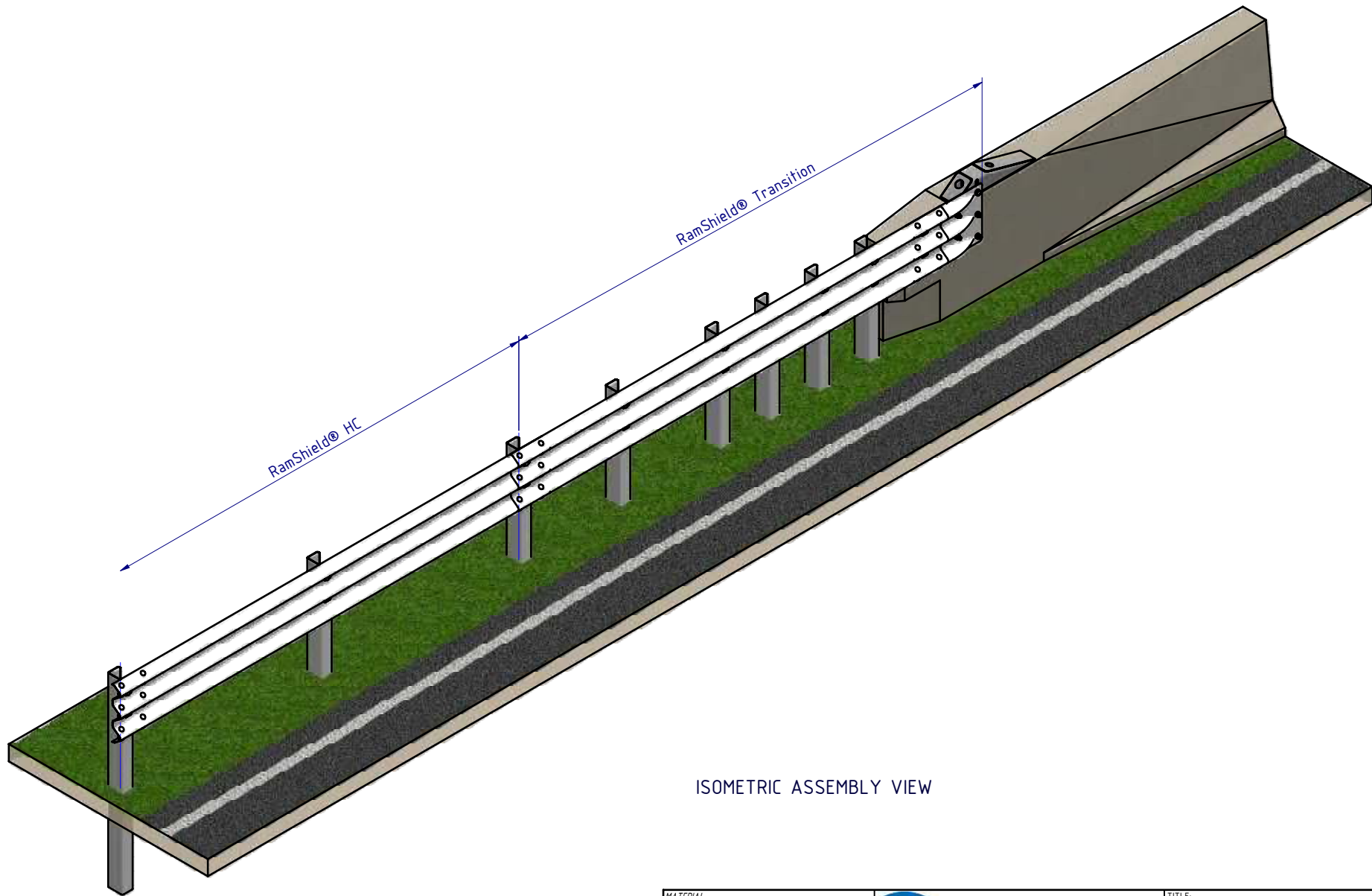
TRAFFIC →

ISOMETRIC EXPLODED VIEW




DETAIL A
SCALE 1:20

MATERIAL: FINISH: HOT DIP GALVANISED AS/NZS 4680			 SafeDirection CRASH BARRIER SOLUTIONS <small>ABN: 53 156 459 684</small> <small>These drawings, plans and specifications and the copyright therein are the properties of Safe Direction Pty Ltd, and must not be used, reproduced or copied wholly or in part without written permission.</small>			TITLE: Road Barriers - Transitions RamShield® Transition HC to Concrete General Arrangement		
STATUS DRAWN CHK'D APPV'D	NAME W.ROGULSKI T.COLQUHOUN H. Wallace	DATE 14/01/2022 14/10/2021 14/10/2021				<small>U.N.O. TOLERANCES: ±1mm ALL DIMENSIONS ARE IN: mm</small>	 THIRD ANGLE PROJECTION	DWG NO.: SD-RB-04001
WEIGHT: 6185.43kg			<small>DO NOT SCALE DRAWING</small>			SCALE: 1:50	SHEET 2 of 3	



ISOMETRIC ASSEMBLY VIEW

MATERIAL:			 SafeDirection CRASH BARRIER SOLUTIONS		TITLE:		Road Barriers - Transitions		
FINISH: HOT DIP GALVANISED AS/NZS 4680					<small>COPYRIGHT: All rights reserved. ABN: 53 156 459 684 These drawings, plans and specifications and the copyright therein are the properties of Safe Direction Pty Ltd, and must not be used, reproduced or copied wholly or in part without written permission.</small>		RamShield® Transition HC to Concrete General Arrangement		
STATUS	NAME	DATE	<small>U.N.O. TOLERANCES: ±1mm ALL DIMENSIONS ARE IN: mm</small>		<small>THIRD ANGLE PROJECTION</small>		DWG NO.	REVISION:	SHEET SIZE
DRAWN	W.ROGULSKI	14/01/2022	STATUS: APPROVED				SD-RB-04001	A	A4
CHK'D	T.COLQUHOUN	14/10/2021					WEIGHT: 6185.43kg	SCALE: 1:40	SHEET 3 of 3
APPV'D	H. Wallace	14/10/2021					<small>DO NOT SCALE DRAWING</small>		