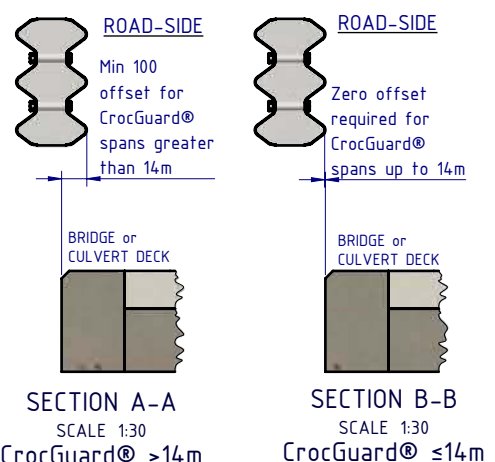
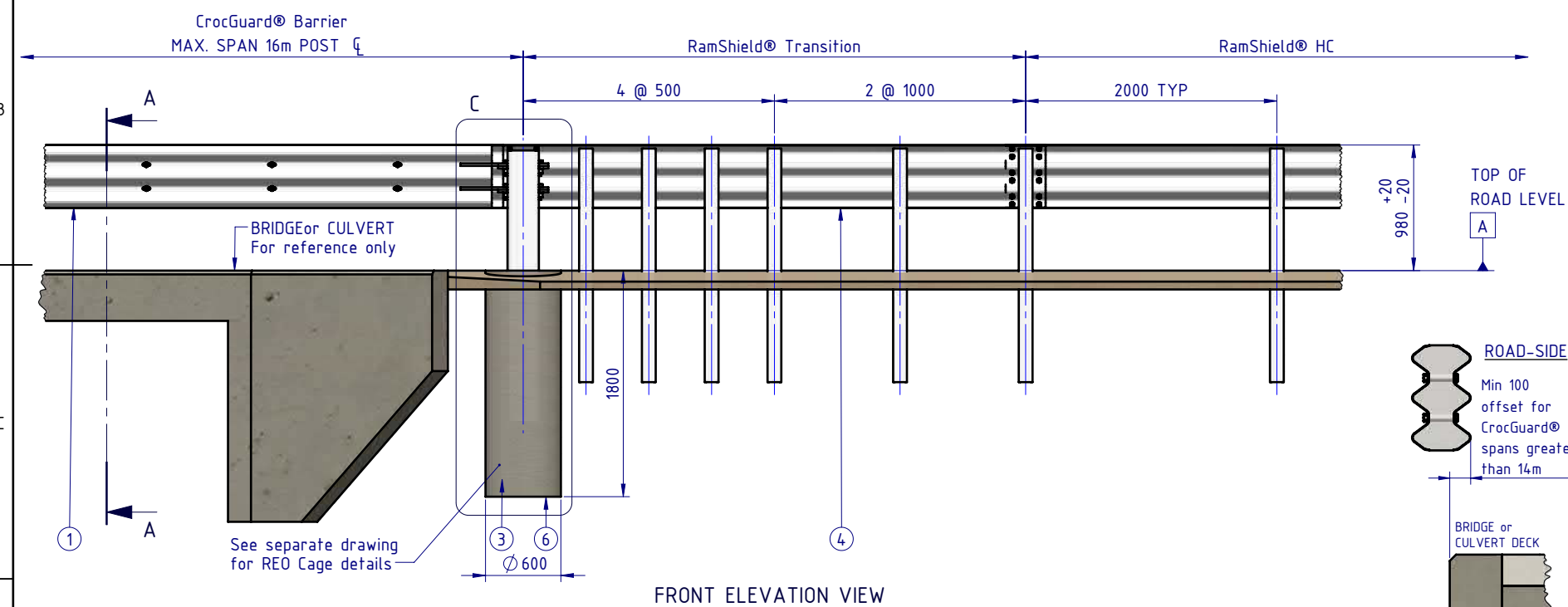
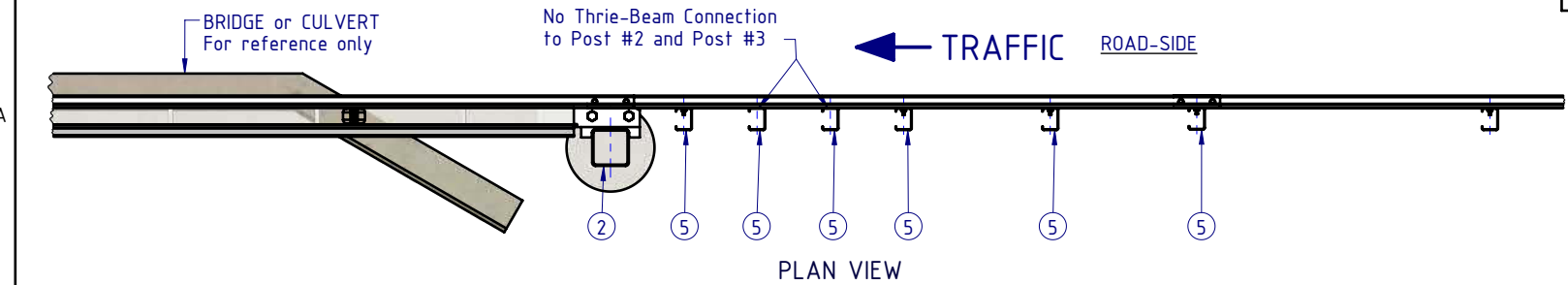
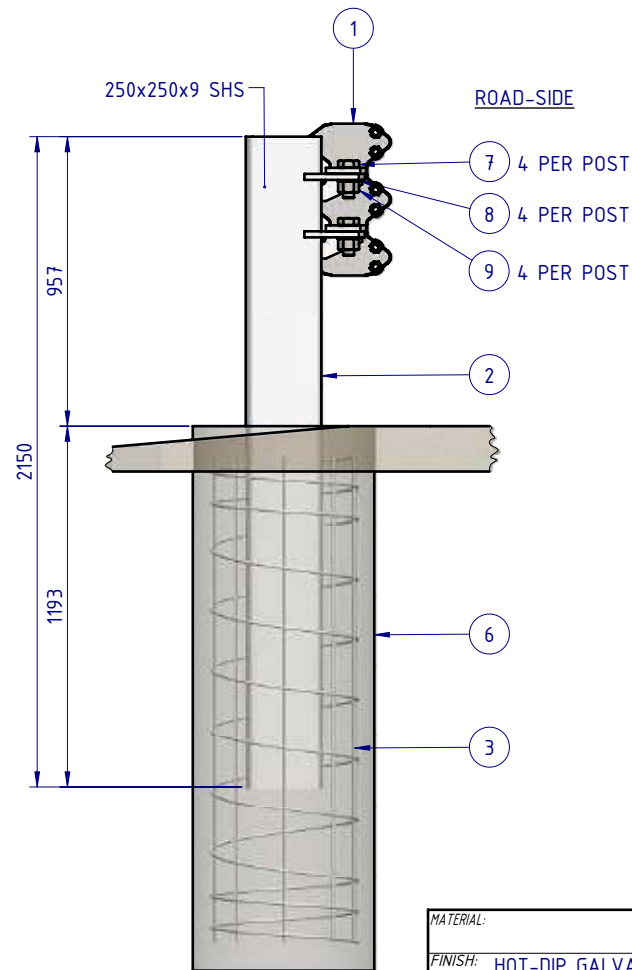
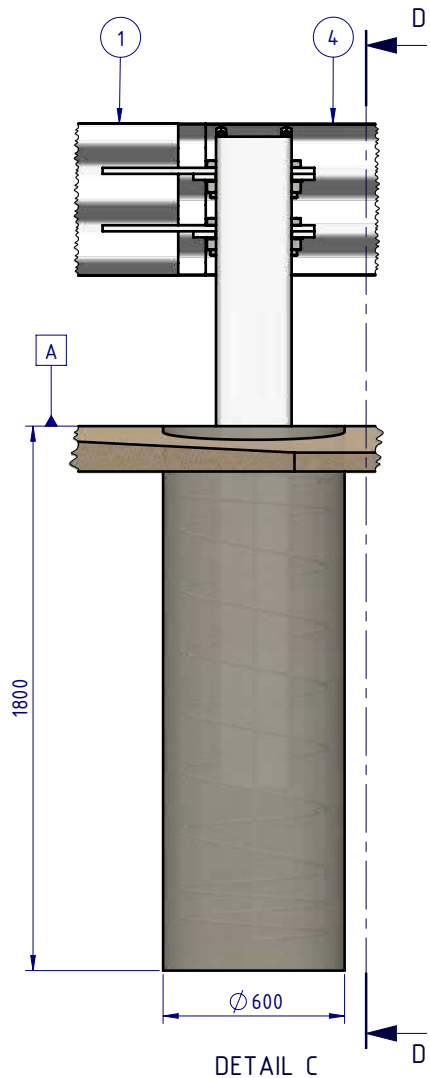
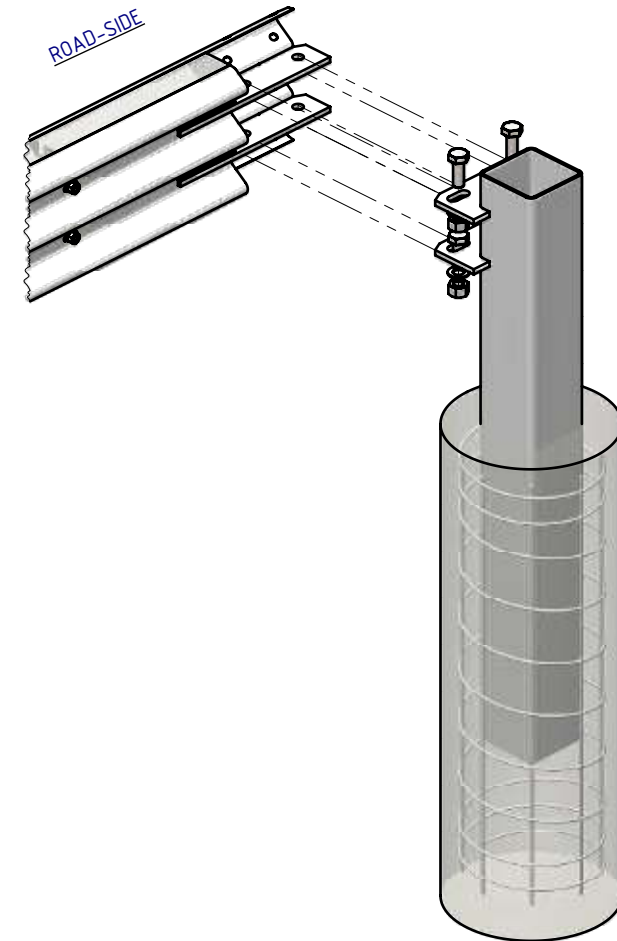
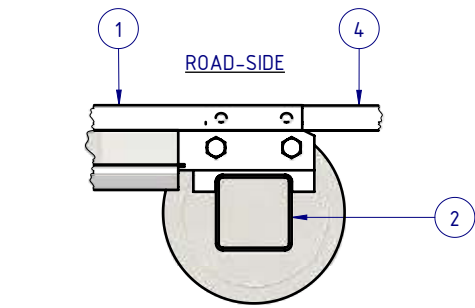


| REVISIONS | | | | |
|-----------|------|----------------|------------|--------|
| REV. | ZONE | DESCRIPTION | DATE | APPV'D |
| A | | ORIGINAL ISSUE | 18/10/2021 | WR |

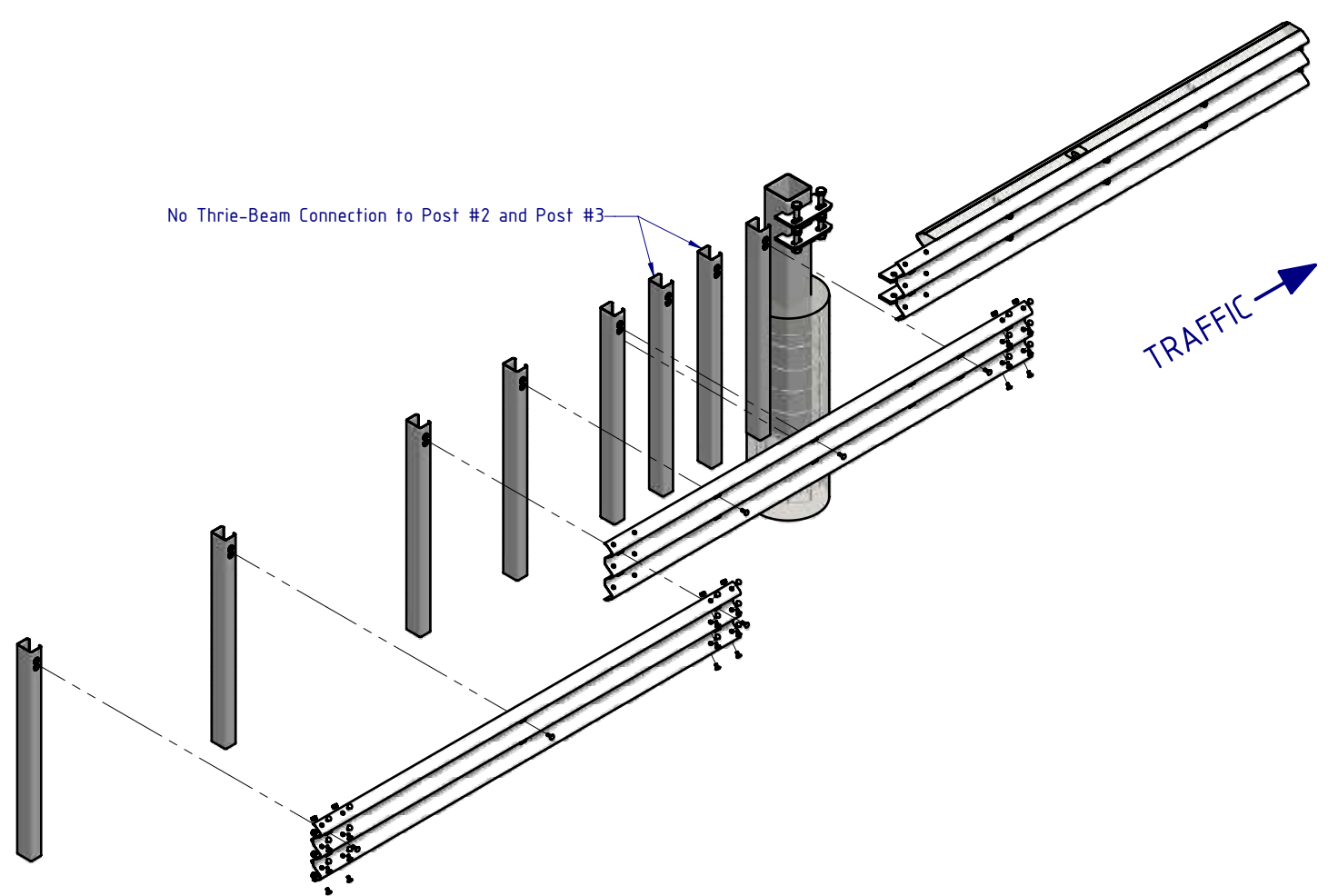


| BOM | | | | Weight |
|----------|-----|------------------------------------|--|--------|
| ITEM NO. | QTY | PART NUMBER | DESCRIPTION | kg |
| 1 | 1 | CG-TB-SR-1600-AG | CrocGuard® Beam 16m NLL | 3925 |
| 2 | 1 | CG-PG-SH-2150-AG | CrocGuard® Abutment Post | 162 |
| 3 | 1 | CG-RC-05-1400-AU | CrocGuard® Reinforcing Cage for Abutment Post | 21 |
| 4 | 1 | GE-TB-SR-4000-BG | Thrie-Beam Bridge Approach GuardRail 3.5mm BMT | 86 |
| 5 | 6 | GR-PG-CS-1860-AG | RamShield® High Containment Post 1860mm | 24 |
| 6 | 1 | SD-RB-04004-03 | Concrete Footing 32 MPa (BY OTHERS) | 1140 |
| 7 | 4 | AS-NZS 1252 - M36 x 100-N-Gr8.8-BL | M20x100 Hex Structural Bolt Gr8.8 HDG | |
| 8 | 4 | AS-NZS 1252 - 36-Gr8.8-HDG | M36 Washer Structural HDG | |
| 9 | 4 | AS-NZS 1252 NS - M36-W-N-Gr8.8-HDG | M36 Hex Nut Structural HDG | |

| | | | | | | |
|--|--|--|--|--|-----------------------|--------------------------|
| MATERIAL: FINISH: HOT-DIP GALVANISED AS/NZS 4680 | | | <p>SafeDirection CRASH BARRIER SOLUTIONS</p> <p>ABN: 53 156 459 684 <small>These drawings, plans and specifications and the copyright therein are the properties of Safe Direction Pty Ltd, and must not be used, reproduced or copied wholly or in part without written permission.</small></p> <p>U.N.O. TOLERANCES: ±1mm <small>ALL DIMENSIONS ARE IN: mm</small></p> <p>THIRD ANGLE PROJECTION</p> <p>APPROVED</p> | TITLE: Road Barriers - Transitions RamShield® Transition HC to CrocGuard® General Arrangement | | |
| STATUS: DRAWN: W. Rogulski 14/01/2022 CHK'D: T. Colquhoun 18/10/2021 APPV'D: H. Wallace 18/10/2021 | | | | DWG NO.: SD-RB-04004 | REVISION: A | SHEET SIZE: A4 |
| WEIGHT: 14617.4kg | | | | SCALE: 1:50 | SHEET 1 of 4 | |

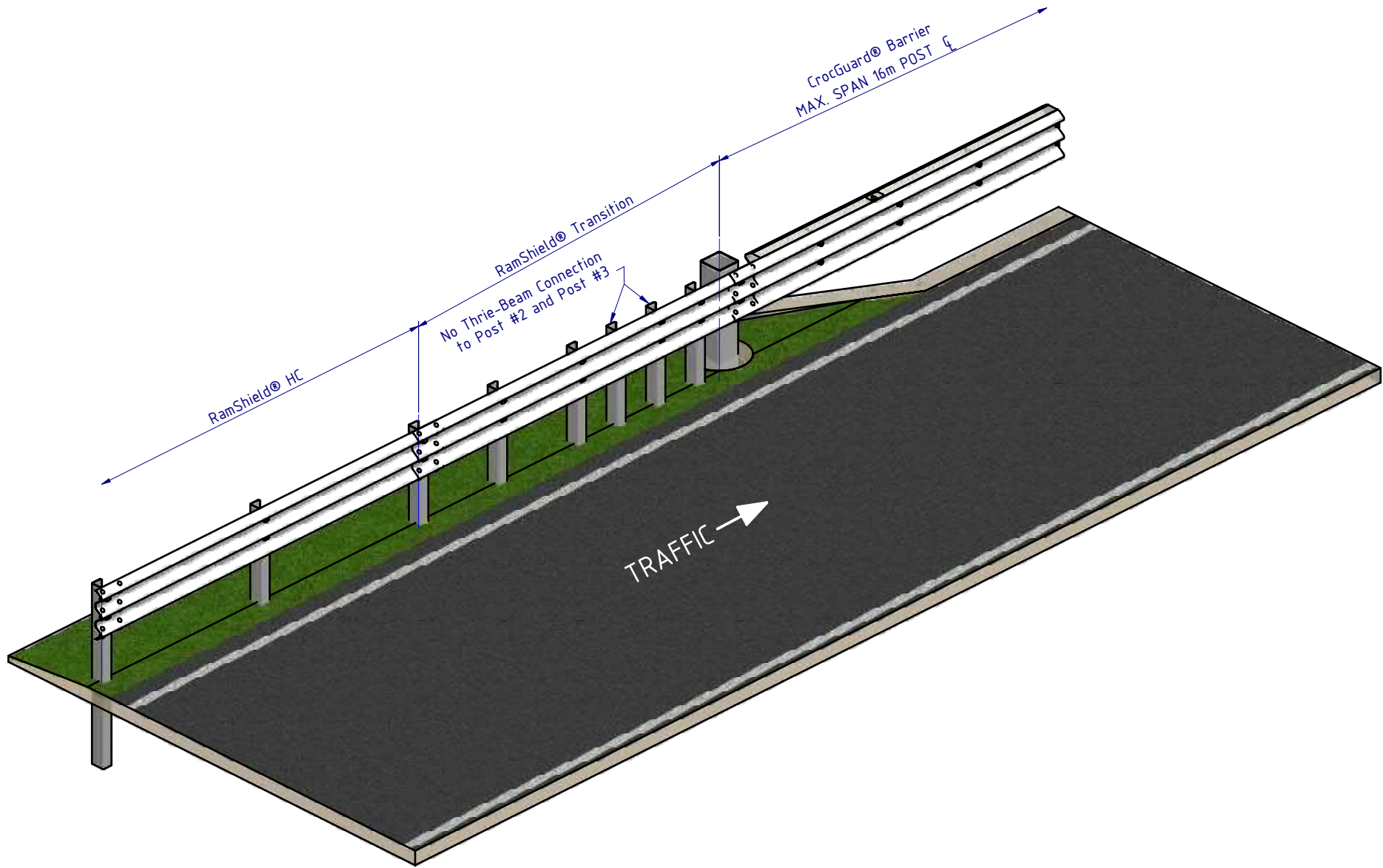


| | | | | | | |
|---|--------------|------------|--|-------------------|--|--------------|
| MATERIAL: | | | COPYRIGHT All rights reserved | | TITLE: Road Barriers - Transitions RamShield® Transition HC to CrocGuard® General Arrangement | |
| FINISH: HOT-DIP GALVANISED AS/NZS 4680 | | | ABN: 53 156 459 684 | | DWG NO. SD-RB-04004 | |
| STATUS | NAME | DATE | U.N.O. TOLERANCES: ±1mm ALL DIMENSIONS ARE IN: mm | | REVISION: | SHEET SIZE: |
| DRAWN | W. Rogulski | 14/01/2022 | | | A | A4 |
| CHK'D | T. Colquhoun | 18/10/2021 | | | | |
| APPV'D | H. Wallace | 18/10/2021 | STATUS: APPROVED | WEIGHT: 14617.4kg | SCALE: 1:25 | SHEET 2 of 4 |



GA EXPLODED ISOMETRIC VIEW

| | | | | | | | | |
|---|--------------|------------|---|--|--|---|-------------|--------------|
| MATERIAL: | | | <small>COPYRIGHT All rights reserved ABN: 53 156 459 684 These drawings, plans and specifications and the copyright therein are the properties of Safe Direction Pty Ltd, and must not be used, reproduced or copied wholly or in part without written permission.</small> | | | TITLE: | | |
| FINISH: HOT-DIP GALVANISED AS/NZS 4680 | | | | | | Road Barriers - Transitions RamShield® Transition HC to CrocGuard® General Arrangement | | |
| STATUS | NAME | DATE | <small>U.N.O. TOLERANCES: ±1mm ALL DIMENSIONS ARE IN: mm</small> | | | DWG NO. | REVISION: | SHEET SIZE |
| DRAWN | W. Rogulski | 14/01/2021 | | | | SD-RB-04004 | | |
| CHK'D | T. Colquhoun | 18/10/2021 | <small>THIRD ANGLE PROJECTION</small> | | | WEIGHT: 14617.4kg | SCALE: 1:50 | SHEET 3 of 4 |
| APPV'D | H. Wallace | 18/10/2021 | | | | <small>STATUS:</small> APPROVED | | |



| | | | | | | | | | | |
|--|--------------|------------|--|--|--|---|-----------|------------|-------------------------|----|
| MATERIAL: | | | COPYRIGHT All rights reserved ABN: 53 156 459 684 These drawings, plans and specifications and the copyright therein are the properties of Safe Direction Pty Ltd, and must not be used, reproduced or copied wholly or in part without written permission. | | | TITLE: | | | | |
| FINISH: HOT-DIP GALVANISED AS/NZS 4680 | | | | | | Road Barriers - Transitions RamShield® Transition HC to CrocGuard® General Arrangement | | | | |
| STATUS | NAME | DATE | U.N.O. TOLERANCES: ±1mm ALL DIMENSIONS ARE IN: mm | | | DWG NO. | REVISION: | SHEET SIZE | | |
| DRAWN | W. Rogulski | 14/01/2022 | | | | SD-RB-04004 | | | A | A4 |
| CHK'D | T. Colquhoun | 18/10/2021 | | | | WEIGHT: 14617.4kg DO NOT SCALE DRAWING | | | SCALE: 1:50 | |
| APPV'D | H. Wallace | 18/10/2021 | | | | | | | STATUS: APPROVED | |