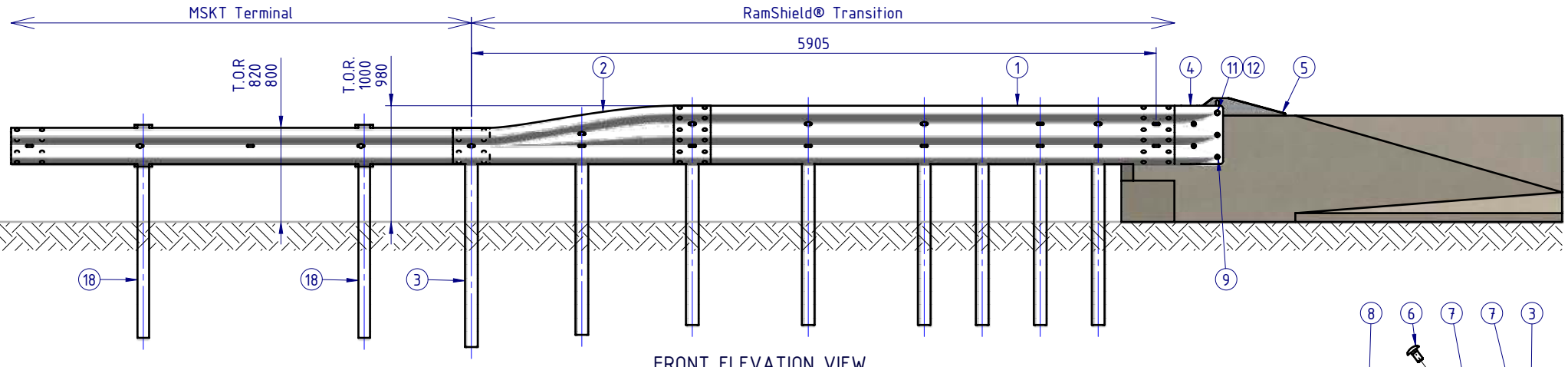
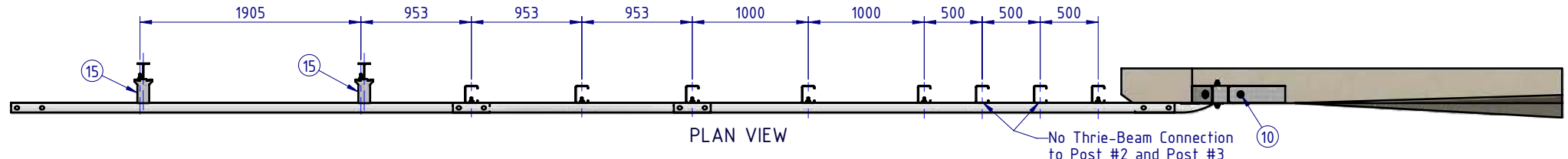
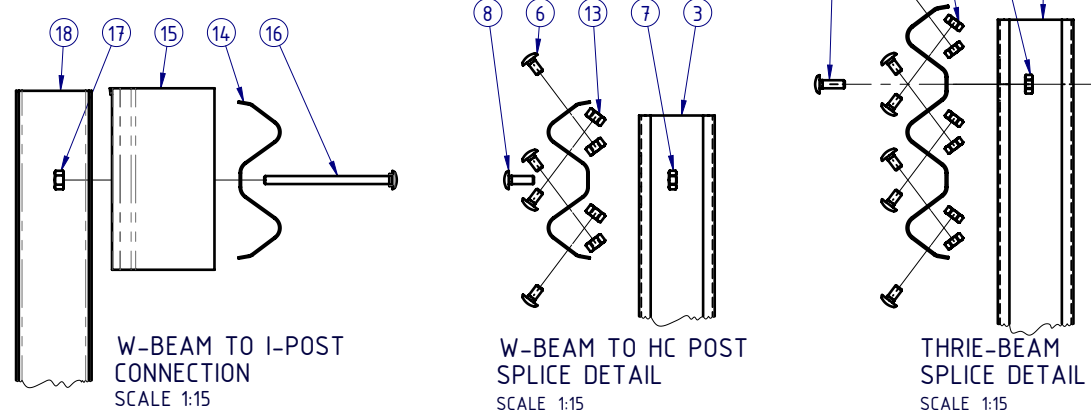


REVISIONS				DATE	APPV'D
REV.	ZONE	DESCRIPTION			
A		ORIGINAL ISSUE		12/11/2021	WR

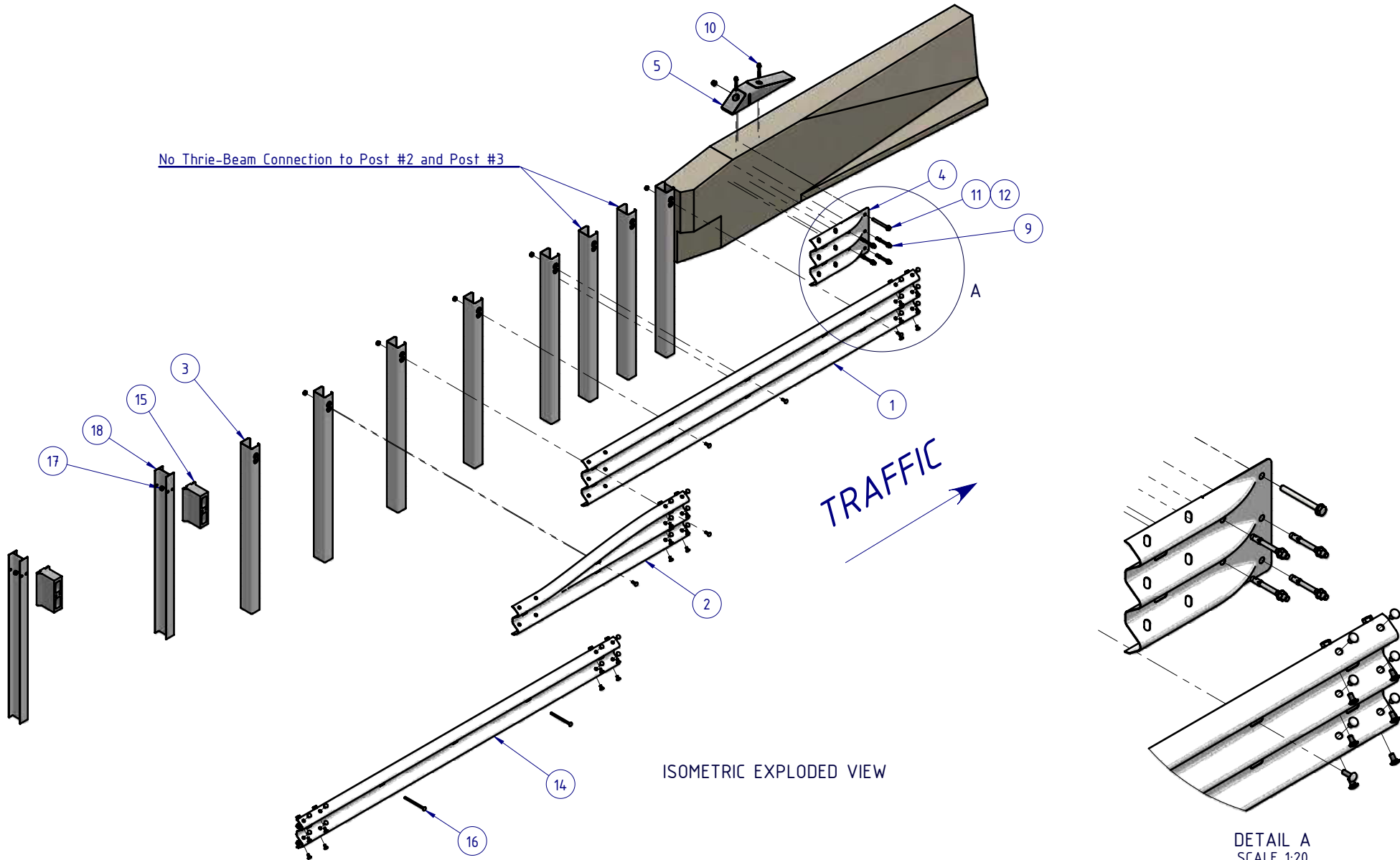


FRONT ELEVATION VIEW

BOM				
ITEM NO.	QTY	PART NUMBER	DESCRIPTION	Weight kg
1	1	GE-TB-SR-4000-BG	Thrie-Beam Bridge Approach GuardRail 3.5mm BMT	86.3
2	1	GE-TB-SR-1905-AG	Assymetric Approach W-Beam to Thrie-Beam Transition	36.5
3	8	GR-PG-CS-1860-AG	RamShield® High Containment Post 1860mm	23.9
4	1	GE-EF-MX-0003-AG	Thrie-Beam Bridge Connection Bracket	10.7
5	1	GE-EF-MX-0024-AG	Top Mount Bridge Connection Bracket	14.8
6	32	GR-FS-16-0032-MZ	M16x32 Splice Bolt Gr8.8, HDG	0.1
7	30	GR-FS-16-0000-NG	M16 Hex Nut, 32A/F Oversize, Narrow, Gr5, HDG	0.08
8	6	GR-FS-16-0050-MZ	M16x50 POST Bolt Gr8.8, HDG	0.1
9	4	GR-FS-20-0187-HG	FISCHER FBN II, M20x187mm	0.5
10	2	GR-FS-16-0145-HG	M16x145mm FISCHER FBN II	0.3
11	1	GE-FS-20-0200-HG	M20x200 B/N/W G8.8	0.1
12	1	GE-FS-20-0000-BG	M20 STRUCTURAL WASHER	
13	8	GR-FS-16-0000-HG	M16 Hex Nut, 32A/F Oversize, Deep, Gr5, HDG	0.10
14	1	GE-WB-SR-3810-CG	MSKT Mid-Span W-Beam Guardrail, 3810mm NLL, 2.7mm BMT	41.4
15	2	GE-BL-SS-0310-AS	Composite Block	3.9
16	2	GE-FS-58-0010-MG	5/8" x 10" POST Bolt, A307, HDG	0.4
17	2	GE-FS-58-0000-HG	5/8" Hex H.G.R. NUT, 1-1/4" A/F Oversize, Deep, Gr5, HDG	0.09
18	2	GE-PG-IS-1830-CG	Steel Line Post	24.8



MATERIAL:		SafeDirection CRASH BARRIER SOLUTIONS	TITLE: Road Barriers - Transitions RamShield® Transition MSKT to Concrete General Arrangement	
FINISH: HOT DIP GALVANISED AS/NZS 4680			DWG NO. SD-RB-04002	REVISION: A
STATUS	NAME	DATE	WEIGHT: 6855.03kg	
DRAWN	W. Rogulski	14/01/2022	SCALE: 1:50	
CHK'D	T. Colquhoun	15/11/2021	SHEET 1 of 3	
APPV'D	H. Wallace	15/11/2021	THIRD ANGLE PROJECTION	
APPROVED		<small> COPYRIGHT All rights reserved. ABN: 53 156 459 684 These drawings, plans and specifications and the copyright therein are the properties of Safe Direction Pty Ltd, and must not be used, reproduced or copied wholly or in part without written permission. U.N.O. TOLERANCES: ±1mm ALL DIMENSIONS ARE IN: mm </small>		



MATERIAL:		
FINISH: HOT DIP GALVANISED AS/NZS 4680		
STATUS	NAME	DATE
DRAWN	W. Rogulski	14/01/2022
CHK'D	T. Colquhoun	15/11/2021
APPV'D	H. Wallace	15/11/2021

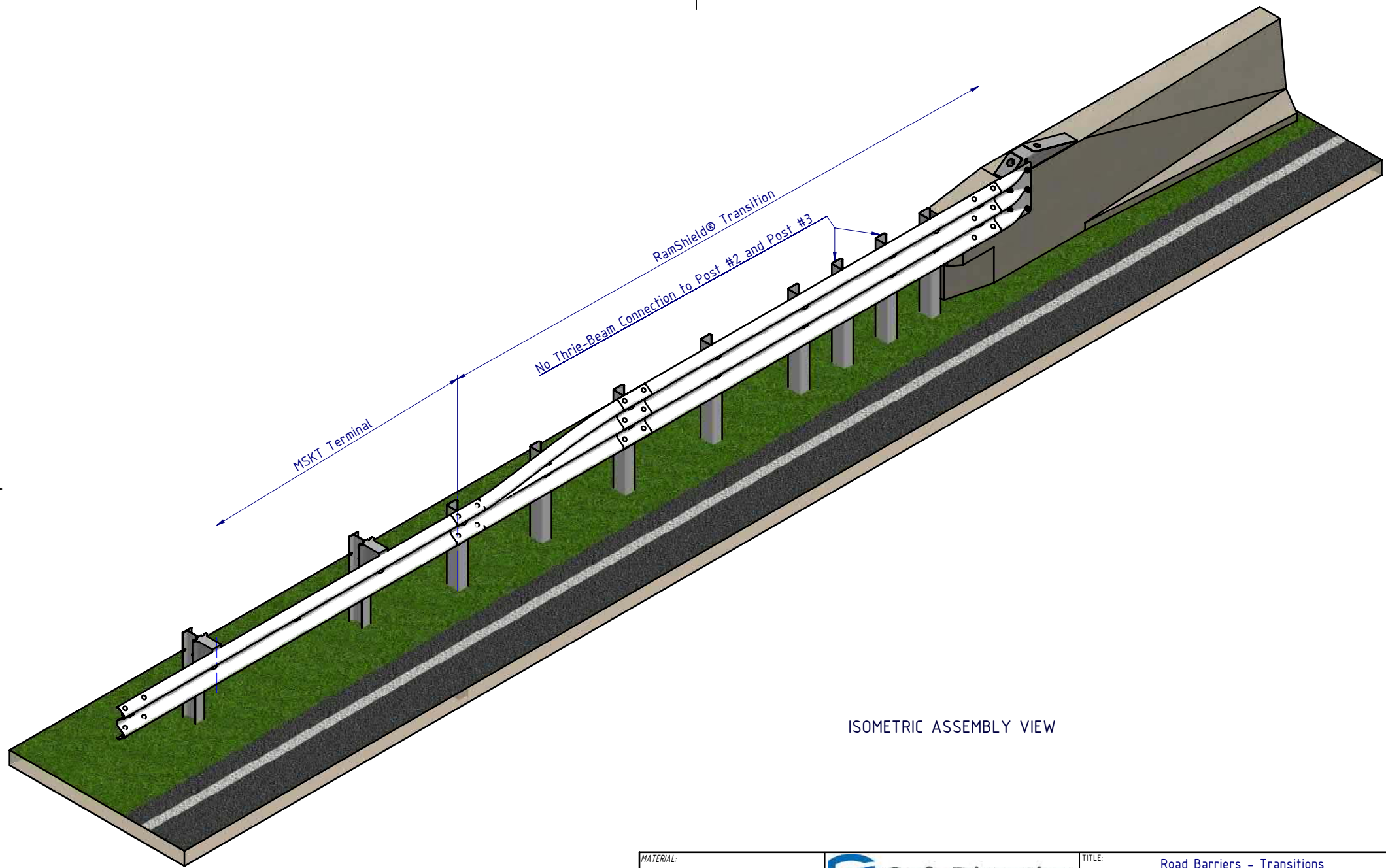
SafeDirection
CRASH BARRIER SOLUTIONS

COPYRIGHT All rights reserved. ABN: 53 156 459 684
These drawings, plans and specifications and the copyright therein are the properties of Safe Direction Pty Ltd, and must not be used, reproduced or copied wholly or in part without written permission.


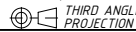

U.N.O. TOLERANCES: ±1mm
ALL DIMENSIONS ARE IN: mm

APPROVED

TITLE: Road Barriers - Transitions RamShield® Transition MSKT to Concrete General Arrangement			
DWG NO.	REVISION:	SHEET SIZE	
SD-RB-04002	A	A4	
WEIGHT: 6855.03kg	DO NOT SCALE DRAWING	SCALE: 1:50	SHEET 2 of 3



ISOMETRIC ASSEMBLY VIEW

MATERIAL: FINISH: HOT DIP GALVANISED AS/NZS 4680			 SafeDirection CRASH BARRIER SOLUTIONS		TITLE: Road Barriers - Transitions RamShield® Transition MSKT to Concrete General Arrangement																			
<table border="1"> <thead> <tr> <th>STATUS</th> <th>NAME</th> <th>DATE</th> </tr> </thead> <tbody> <tr> <td>DRAWN</td> <td>W. Rogulski</td> <td>14/01/2022</td> </tr> <tr> <td>CHK'D</td> <td>T. Colquhoun</td> <td>15/11/2021</td> </tr> <tr> <td>APPV'D</td> <td>H. Wallace</td> <td>15/11/2021</td> </tr> </tbody> </table>			STATUS	NAME	DATE	DRAWN	W. Rogulski	14/01/2022	CHK'D	T. Colquhoun	15/11/2021	APPV'D	H. Wallace	15/11/2021	<small>COPYRIGHT All rights reserved. ABN: 53 156 459 684 These drawings, plans and specifications and the copyright therein are the properties of Safe Direction Pty Ltd, and must not be used, reproduced or copied wholly or in part without written permission.</small>		<table border="1"> <tr> <td>DWG NO.</td> <td>REVISION:</td> <td>SHEET SIZE</td> </tr> <tr> <td>SD-RB-04002</td> <td>A</td> <td>A4</td> </tr> </table>		DWG NO.	REVISION:	SHEET SIZE	SD-RB-04002	A	A4
STATUS	NAME	DATE																						
DRAWN	W. Rogulski	14/01/2022																						
CHK'D	T. Colquhoun	15/11/2021																						
APPV'D	H. Wallace	15/11/2021																						
DWG NO.	REVISION:	SHEET SIZE																						
SD-RB-04002	A	A4																						
<small>U.N.O. TOLERANCES: ±1mm ALL DIMENSIONS ARE IN: mm</small>			 THIRD ANGLE PROJECTION		<table border="1"> <tr> <td>WEIGHT:</td> <td>DO NOT SCALE DRAWING</td> <td>SCALE:</td> <td>SHEET</td> </tr> <tr> <td>6855.03kg</td> <td></td> <td>1:40</td> <td>3 of 3</td> </tr> </table>		WEIGHT:	DO NOT SCALE DRAWING	SCALE:	SHEET	6855.03kg		1:40	3 of 3										
WEIGHT:	DO NOT SCALE DRAWING	SCALE:	SHEET																					
6855.03kg		1:40	3 of 3																					
STATUS: 			<small>C:\SDSYD\SD\Assembly\SD-RB Road Barriers\SD-RB_04000 Transitions\SD-RB-04002 - RamShield Transition, MSKT to Concrete\ Thursday, 17 March 2022 12:57:30 PM</small>																					