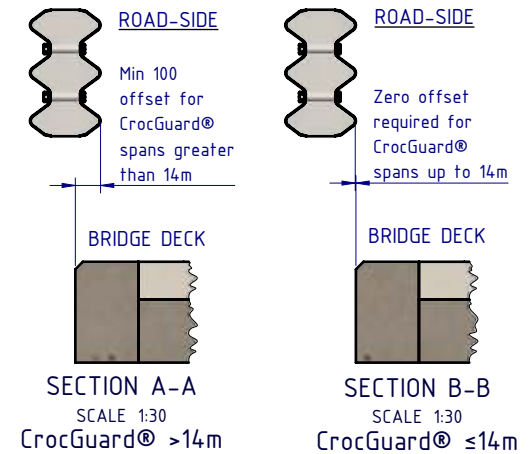
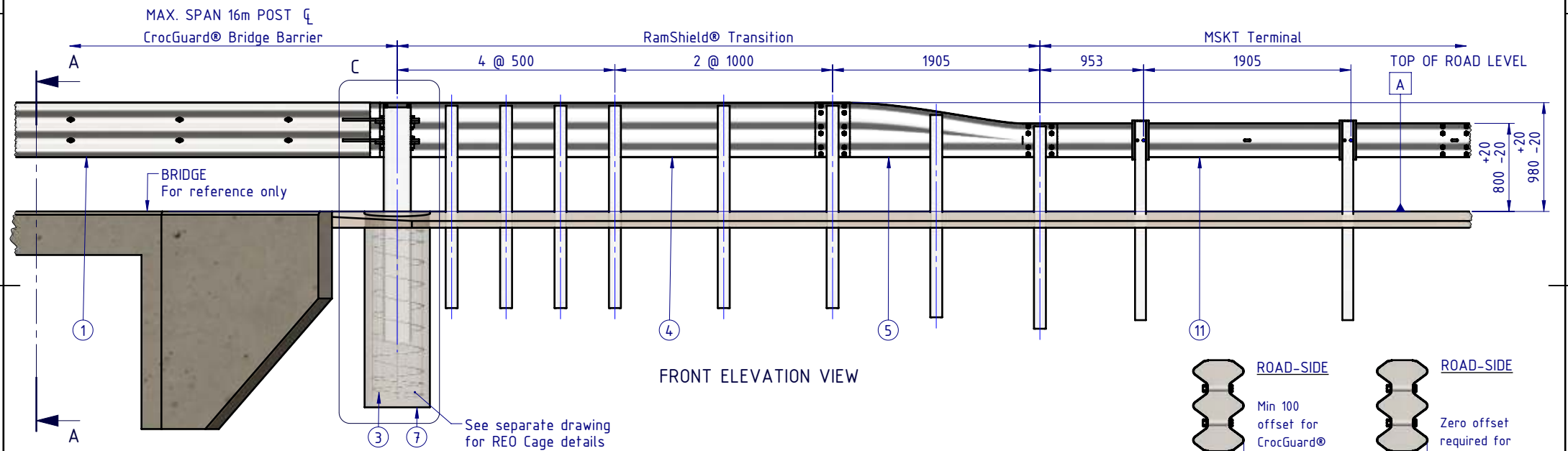
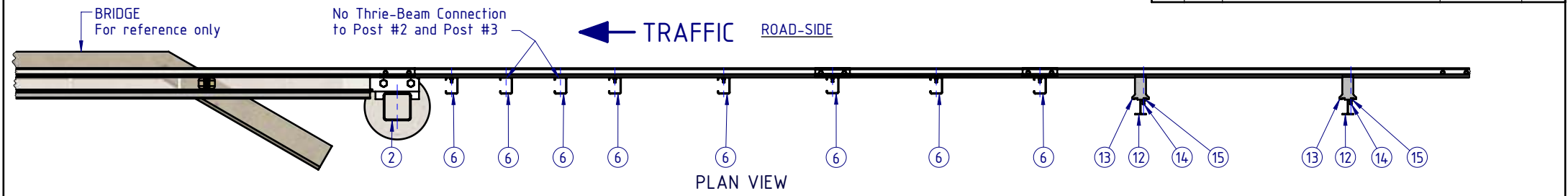
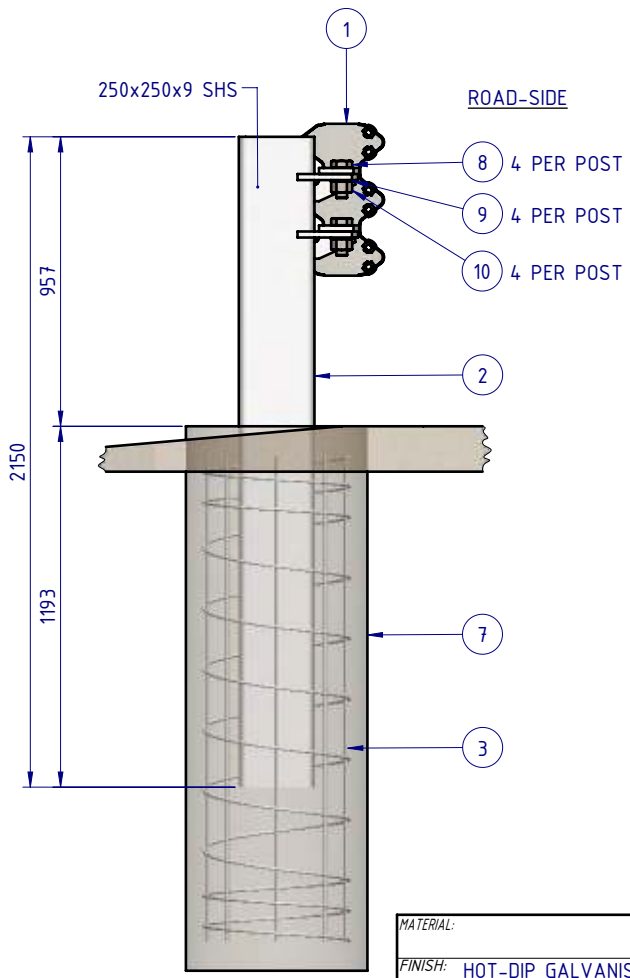
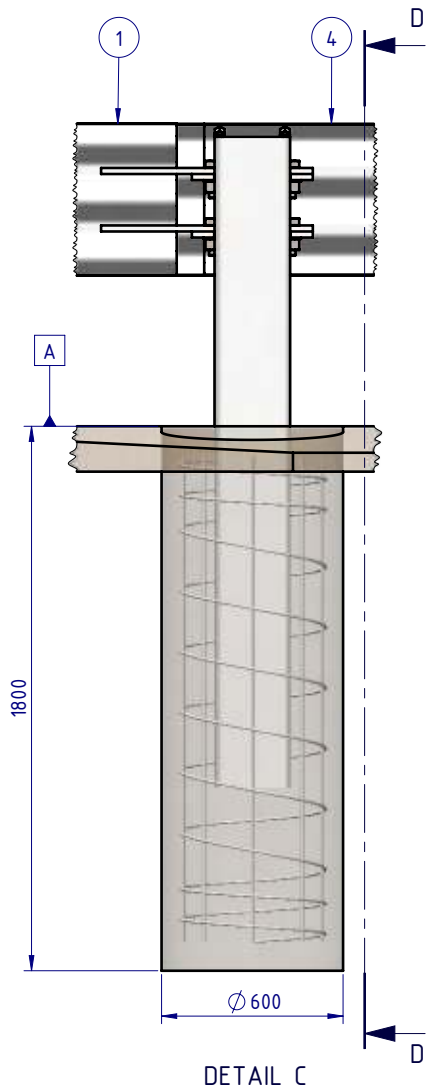
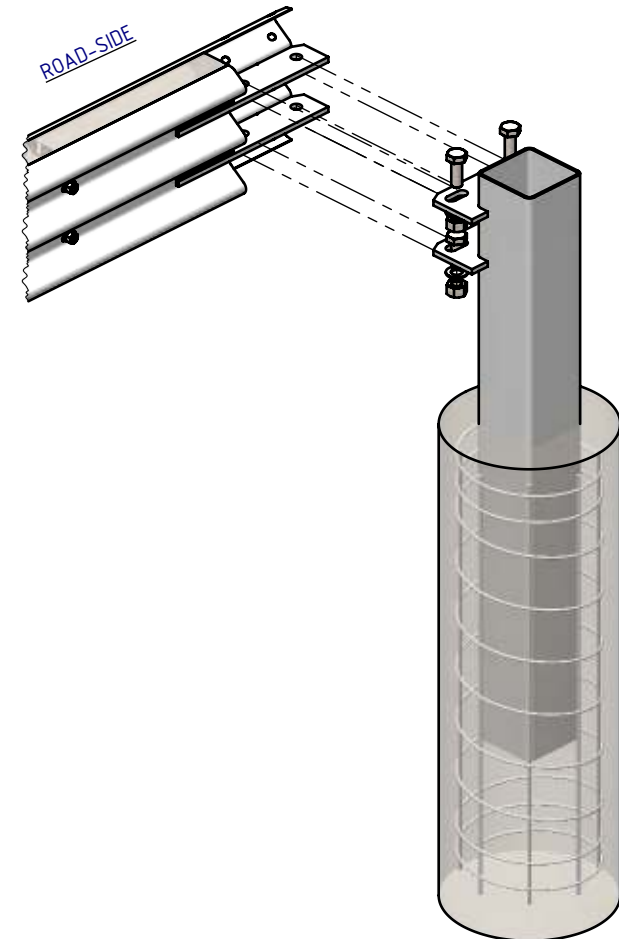
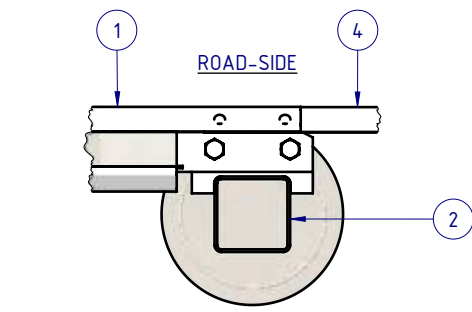


REVISIONS				
REV.	ZONE	DESCRIPTION	DATE	APPV'D
A		ORIGINAL ISSUE	18/10/2021	WR



BOM				Weight kg
ITEM NO.	QTY	PART NUMBER	DESCRIPTION	
1	1	CG-TB-SR-1600-AG	CrocGuard® Beam 16m NLL	3925
2	1	CG-PG-SH-2150-AG	CrocGuard® Abutment Post	162
3	1	CG-RC-05-1400-AU	CrocGuard® Reinforcing Cage for Abutment Post	21
4	1	GE-TB-SR-4000-BG	Thrie-Beam Bridge Approach GuardRail 3.5mm BMT	86
5	1	GE-TB-SR-1905-AG	Assymetric Approach W-Beam to Thrie-Beam Transition	37
6	8	GR-PG-CS-1860-AG	RamShield® High Containment Post 1860mm	24
7	1	SD-RB-04005-03	Concrete Footing 32 MPa (BY OTHERS)	1140
8	4	AS-NZS 1252 - M36 x 100-N-Gr8.8-BL	M20x100 Hex Structural Bolt Gr8.8 HDG	
9	4	AS-NZS 1252 - 36-Gr8.8-HDG	M36 Washer Structural HDG	
10	4	AS-NZS 1252 NS - M36-W-N-Gr8.8-HDG	M36 Hex Nut Structural HDG	
11	1	GE-WB-SR-3810-CG	MSKT Mid-Span W-Beam Guardrail, 3810mm NLL, 2.7mm BMT	41
12	2	GE-PG-IS-1830-CG	Steel Line Post	25
13	2	GE-BL-SS-0310-AS	Composite Block	4
14	2	GE-FS-58-0010-MG	5/8" x 10" Mushroom Head POST Bolt, A307, HDG	0
15	2	GE-FS-58-0000-HG	5/8" Hex H.G.R. NUT, 1-1/4" A/F Oversize, Deep, CL5, HDG	0.09

MATERIAL:		 <b>SafeDirection</b> CRASH BARRIER SOLUTIONS	TITLE: Road Barriers - Transitions RamShield® Transition MSKT to CrocGuard® General Arrangement	
FINISH: HOT-DIP GALVANISED AS/NZS 4680			DWG NO. SD-RB-04005	
STATUS	NAME	DATE	REVISION: A	SHEET SIZE: A4
DRAWN	W. Rogulski	14/01/2022		
CHK'D	T. Colquhoun	15/11/2021		
APPV'D	H. Wallace	15/11/2021		
COPYRIGHT: All rights reserved. These drawings, plans and specifications and the copyright therein are the properties of Safe Direction Pty Ltd, and must not be used, reproduced or copied wholly or in part without written permission.		ABN: 53 156 459 684		
U.N.O. TOLERANCES: ±1mm ALL DIMENSIONS ARE IN: mm		THIRD ANGLE PROJECTION		
STATUS: <b>APPROVED</b>		WEIGHT: 15996.3kg		DO NOT SCALE DRAWING
		SCALE: 1:50		SHEET 1 of 4



MATERIAL:		
FINISH: HOT-DIP GALVANISED AS/NZS 4680		
STATUS	NAME	DATE
DRAWN	W. Rogulski	14/01/2022
CHK'D	T. Colquhoun	15/11/2021
APPV'D	H. Wallace	15/11/2021

**SafeDirection**  
CRASH BARRIER SOLUTIONS

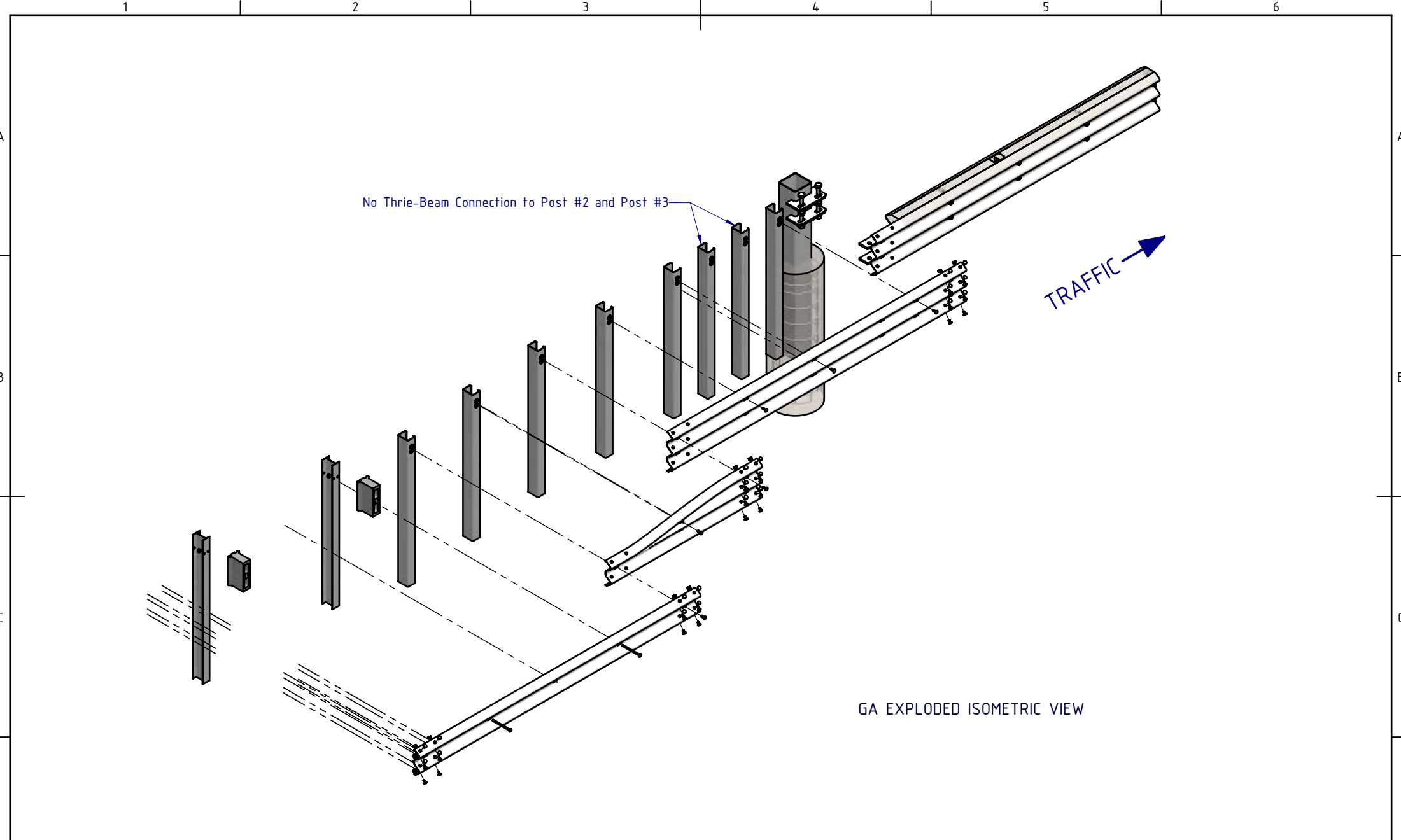
COPYRIGHT All rights reserved. ABN: 53 156 459 684  
These drawings, plans and specifications and the copyright therein are the properties of Safe Direction Pty Ltd, and must not be used, reproduced or copied wholly or in part without written permission.

U.N.O. TOLERANCES: ±1mm  
ALL DIMENSIONS ARE IN: mm



THIRD ANGLE PROJECTION

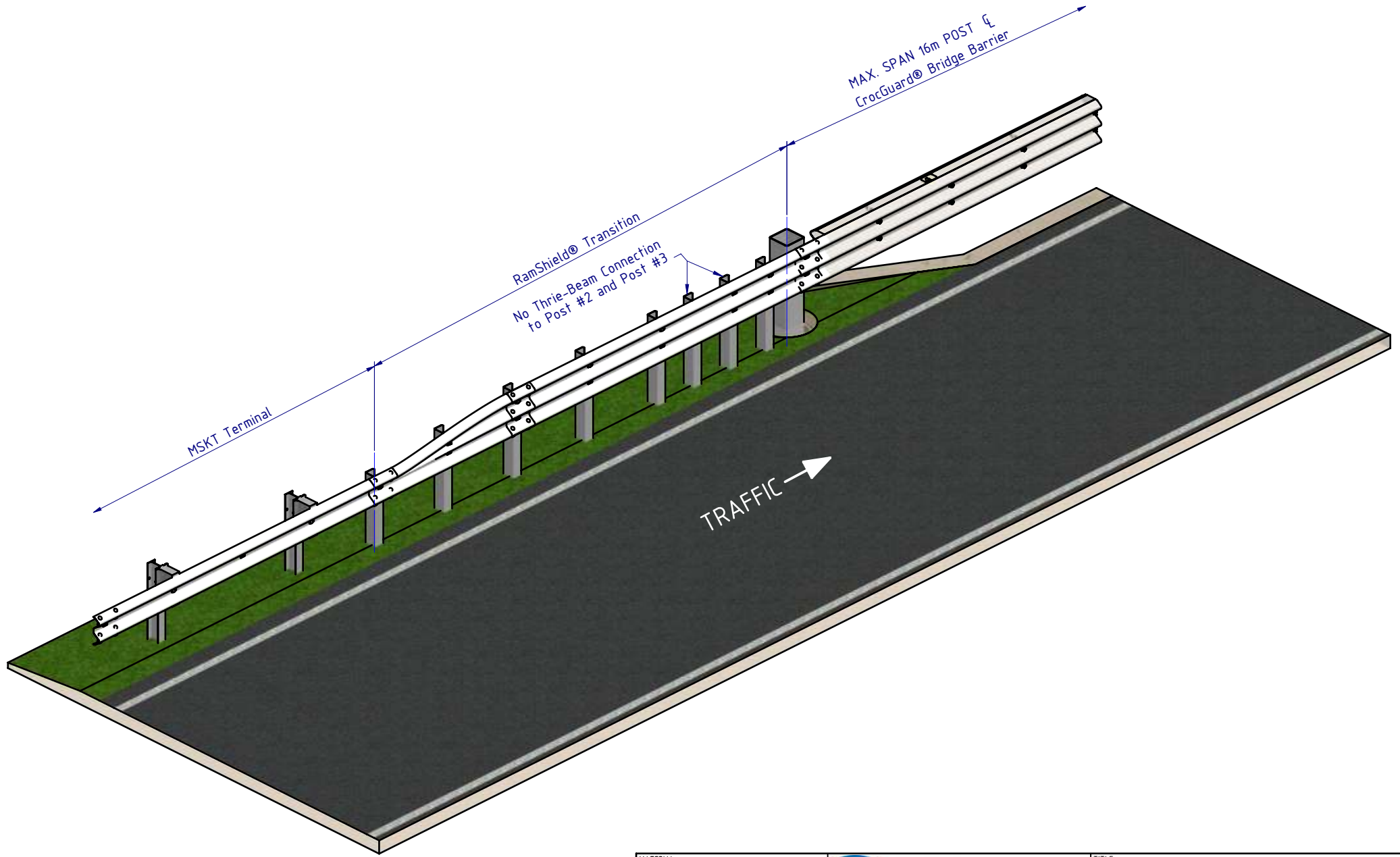
**APPROVED**



TITLE: Road Barriers - Transitions RamShield® Transition MSKT to CrocGuard General Arrangement			
DWG NO.	REVISION:	SHEET SIZE	
SD-RB-04005	A	A4	
WEIGHT: 15996.3kg	DO NOT SCALE DRAWING	SCALE: 1:25	SHEET 2 of 4



GA EXPLODED ISOMETRIC VIEW

<b>MATERIAL:</b> <b>FINISH:</b> HOT-DIP GALVANISED AS/NZS 4680			 <b>SafeDirection</b> CRASH BARRIER SOLUTIONS		<b>TITLE:</b> Road Barriers - Transitions RamShield® Transition MSKT to CrocGuard General Arrangement																	
<table border="1"> <thead> <tr> <th>STATUS</th> <th>NAME</th> <th>DATE</th> </tr> </thead> <tbody> <tr> <td>DRAWN</td> <td>W. Rogulski</td> <td>14/01/2022</td> </tr> <tr> <td>CHK'D</td> <td>T. Colquhoun</td> <td>15/11/2021</td> </tr> <tr> <td>APPV'D</td> <td>H. Wallace</td> <td>15/11/2021</td> </tr> </tbody> </table>					STATUS	NAME	DATE	DRAWN	W. Rogulski	14/01/2022	CHK'D	T. Colquhoun	15/11/2021	APPV'D	H. Wallace	15/11/2021	<small>           COPYRIGHT: All rights reserved. ABN: 53 156 459 684            These drawings, plans and specifications and the copyright therein are            the properties of Safe Direction Pty Ltd, and must not be used,            reproduced or copied wholly or in part without written permission.            U.N.O. TOLERANCES: ±1mm            ALL DIMENSIONS ARE IN: mm         </small>			<b>DWG NO.:</b> <b>SD-RB-04005</b>		<b>REVISION:</b> <b>A</b>
STATUS	NAME	DATE																				
DRAWN	W. Rogulski	14/01/2022																				
CHK'D	T. Colquhoun	15/11/2021																				
APPV'D	H. Wallace	15/11/2021																				
<b>STATUS:</b> 			<b>WEIGHT:</b> 15996.3kg		<small>DO NOT SCALE DRAWING</small>		<b>SCALE:</b> 1:50		<b>SHEET 3 of 4</b>													



MATERIAL:			 <b>SafeDirection</b> CRASH BARRIER SOLUTIONS		TITLE:		
FINISH: HOT-DIP GALVANISED AS/NZS 4680					Road Barriers - Transitions RamShield® Transition MSKT to CrocGuard General Arrangement		
STATUS	NAME	DATE	<small>COPYRIGHT All rights reserved. ABN: 53 156 459 684          These drawings, plans and specifications and the copyright therein are the properties of Safe Direction Pty Ltd, and must not be used, reproduced or copied wholly or in part without written permission.</small> <small>U.N.O. TOLERANCES: ±1mm          ALL DIMENSIONS ARE IN: mm</small>		DWG NO.	REVISION:	SHEET SIZE
DRAWN	W. Rogulski	14/01/2022			SD-RB-04005	A	A4
CHK'D	T. Colquhoun	15/11/2021					
APPV'D	H. Wallace	15/11/2021			WEIGHT: 15996.3kg	SCALE: 1:50	SHEET 4 of 4
<small>U.N.O. TOLERANCES: ±1mm          ALL DIMENSIONS ARE IN: mm</small>			<small>THIRD ANGLE PROJECTION</small>		<small>DO NOT SCALE DRAWING</small>		<small>SCALE: 1:50</small>
STATUS:					<small>Monday, 21 March 2022 1:36:32 PM</small>		