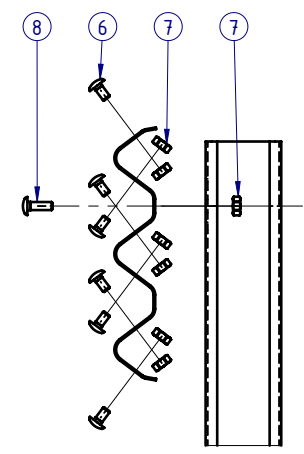
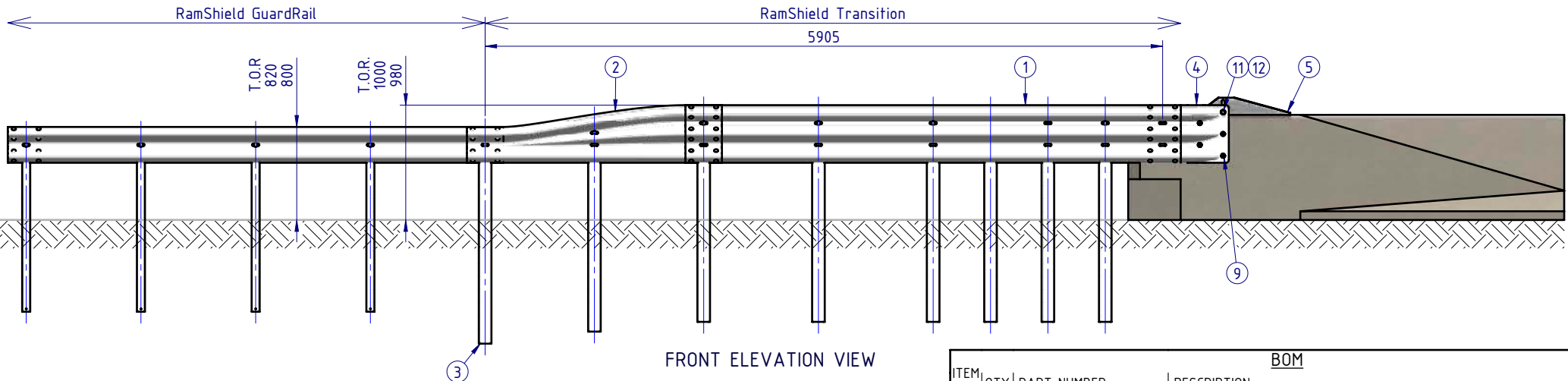
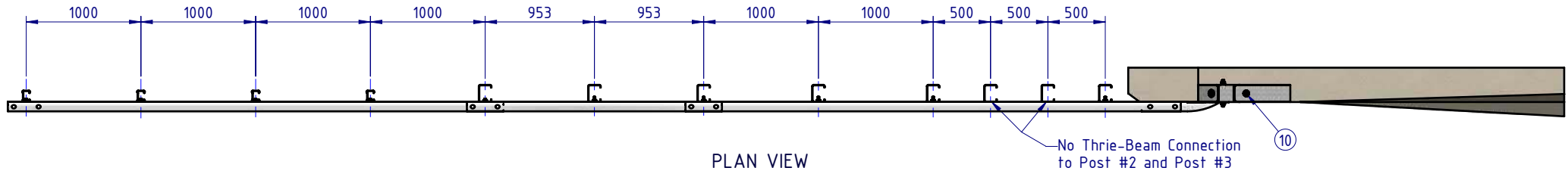
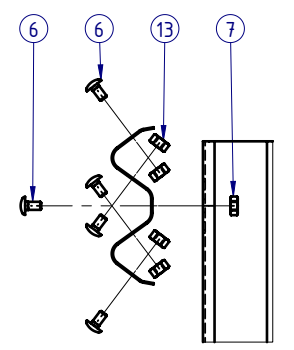


REVISIONS				
REV.	ZONE	DESCRIPTION	DATE	APPV'D
		PRELIMINARY ISSUE	12/08/2021	WR
A	C4	GE-EF-MX-0024-AG updated to RevA	15/10/2021	WR



THRIE-BEAM SPLICE DETAIL
SCALE 1:15



W-BEAM SPLICE DETAIL
SCALE 1:15

ITEM NO.	QTY	PART NUMBER	DESCRIPTION	Weight kg
1	1	GE-TB-SR-4000-BG	Thrie-Beam Bridge Approach GuardRail 3.5mm BMT	86.3
2	1	GE-TB-SR-1905-AG	Assymetric Approach W-Beam to Thrie-Beam Transition	36.5
3	8	GR-PG-CS-1860-AG	RamShield® High Containment Post 1860mm	23.9
4	1	GE-EF-MX-0003-AG	Thrie-Beam Bridge Connection Bracket	10.7
5	1	GE-EF-MX-0024-AG	Top Mount Bridge Connection Bracket	14.8
6	33	GR-FS-16-0032-MZ	M16x32 Splice Bolt Gr8.8, HDG	0.1
7	30	GR-FS-16-0000-NG	M16 Hex Nut, 32A/F Oversize, Narrow, Gr5, HDG	0.08
8	5	GR-FS-16-0050-MZ	M16x50 POST Bolt Gr8.8, HDG	0.1
9	4	GR-FS-20-0187-HG	FISCHER FBN II, M20x187mm	0.5
10	2	GR-FS-16-0145-HG	M16x145mm FISCHER FBN II	0.3
11	1	GE-FS-20-0200-HG	M20x200 B/N/W G8.8	0.1
12	1	GE-FS-20-0000-BG	M20 STRUCTURAL WASHER	
13	8	GR-FS-16-0000-HG	M16 Hex Nut, 32A/F Oversize, Deep, Gr5, HDG	0.10

MATERIAL: AS NOTED ON DRAWING		
FINISH: HOT DIP GALVANISED AS/NZS 4680		
STATUS	NAME	DATE
DRAWN	W. Rogulski	14/01/2022
CHK'D	T. Colquhoun	13/08/2021
APPV'D	H. Wallace	13/08/2021

SafeDirection
CRASH BARRIER SOLUTIONS

Copyright All rights reserved. These drawings, plans and specifications and the copyright therein are the properties of Safe Direction Pty Ltd, and must not be used, reproduced or copied wholly or in part without written permission.

U.N.O. TOLERANCES: ±1mm ALL DIMENSIONS ARE IN: mm

THIRD ANGLE PROJECTION

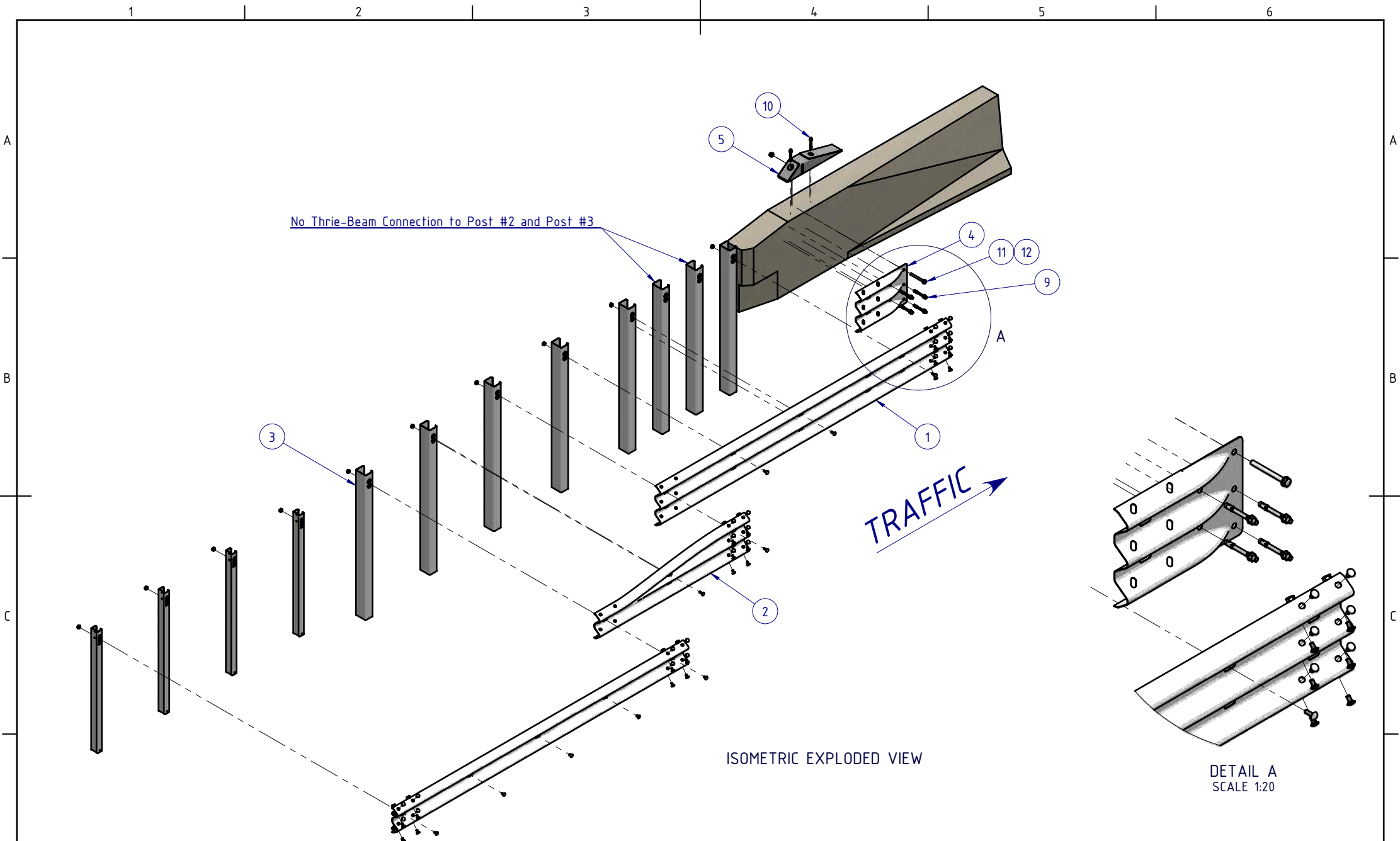
APPROVED

TITLE: Road Barriers - Transitions
RamShield® Transition
W-Beam to Concrete
General Arrangement

DWG NO: **SD-RB-04000**

REVISION: **A** SHEET SIZE: **A4**

WEIGHT: **6855.52kg** DO NOT SCALE DRAWING SCALE: 1:50 SHEET 1 of 3



MATERIAL: AS NOTED ON DRAWING

FINISH: HOT DIP GALVANISED
AS/NZS 4680

STATUS	NAME	DATE
DRAWN	W. Rogulski	14/01/2022
CHK'D	T. Colquhoun	13/08/2021
APPV'D	H. Wallace	13/08/2021



COPYRIGHT All rights reserved. ABN: 53 156 459 684
These drawings, plans and specifications and the copyright therein are the properties of Safe Direction Pty Ltd, and must not be used, reproduced or copied wholly or in part without written permission.

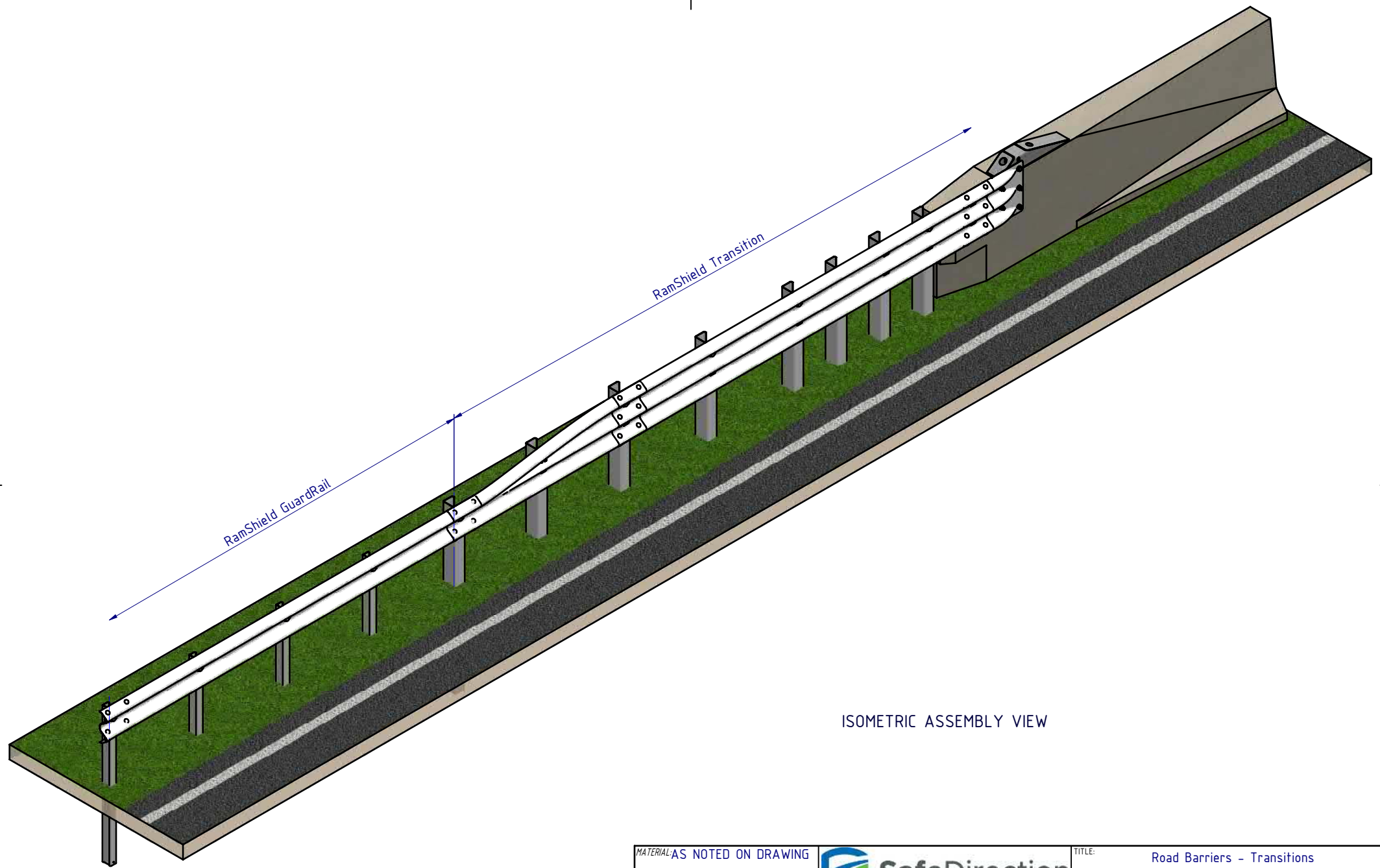
U.N.O. TOLERANCES: ±1mm
ALL DIMENSIONS ARE IN: mm

APPROVED


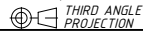
THIRD ANGLE PROJECTION

TITLE: Road Barriers - Transitions
RamShield® Transition
W-Beam to Concrete
General Arrangement

DWG NO.	SD-RB-04000	REVISION:	A	SHEET SIZE:	A4
WEIGHT:	6855.52kg	SCALE:	1:50	SHEET 2 of 3	



ISOMETRIC ASSEMBLY VIEW

MATERIAL: AS NOTED ON DRAWING			 SafeDirection CRASH BARRIER SOLUTIONS		TITLE: Road Barriers - Transitions	
FINISH: HOT DIP GALVANISED AS/NZS 4680					RamShield® Transition	
<small>COPYRIGHT: All rights reserved. ABN: 53 156 459 684. These drawings, plans and specifications and the copyright therein are the properties of Safe Direction Pty Ltd, and must not be used, reproduced or copied wholly or in part without written permission.</small>			<small>U.N.O. TOLERANCES: ±1mm ALL DIMENSIONS ARE IN: mm</small>		DWG NO. SD-RB-04000	
STATUS	NAME	DATE	 APPROVED		REVISION:	SHEET SIZE:
DRAWN	W. Rogulski	14/01/2022			A	A4
CHK'D	T. Colquhoun	13/08/2021			WEIGHT: 6855.52kg	
APPV'D	H. Wallace	13/08/2021			SCALE: 1:40	
			<small>C:\SDS\YD\SD\Assembly\SD-RB-Road Barriers\SD-RB-04000 Transitions\SD-RB-04000 - RamShield Transition, W-Beam to Concrete</small>		SHEET 3 of 3	