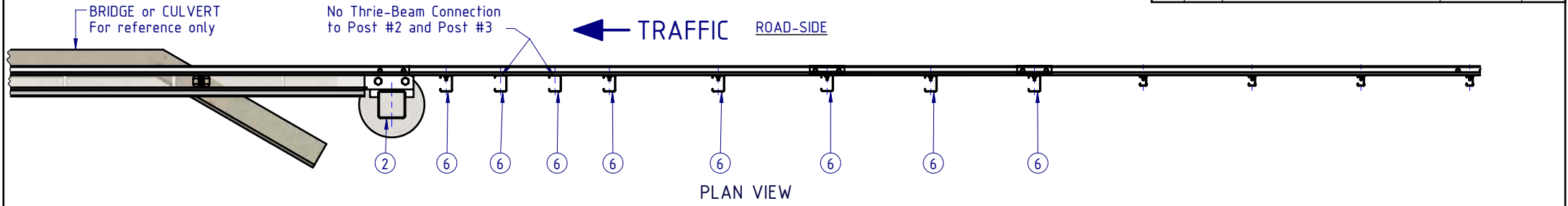
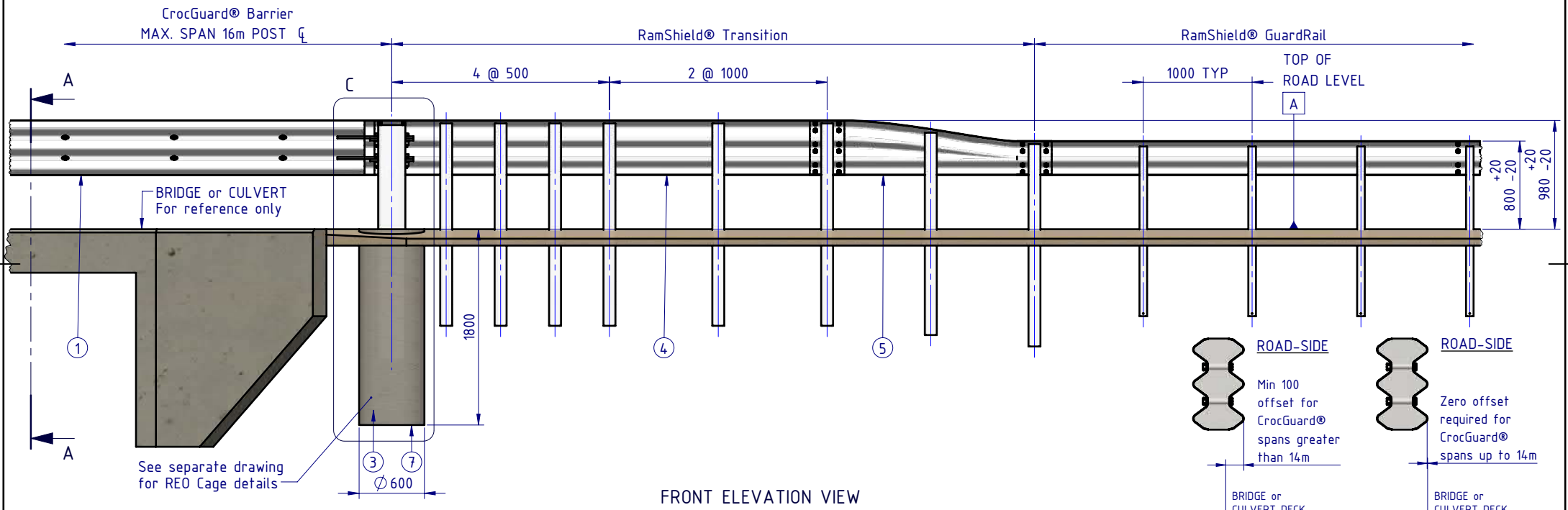


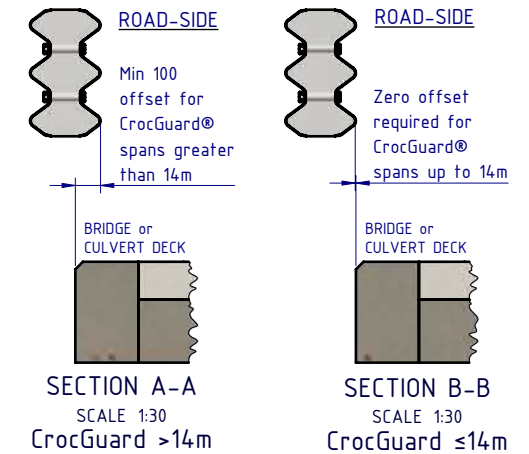
REVISIONS				
REV.	ZONE	DESCRIPTION	DATE	APPV'D
A		ORIGINAL ISSUE	18/10/2021	WR



PLAN VIEW



FRONT ELEVATION VIEW

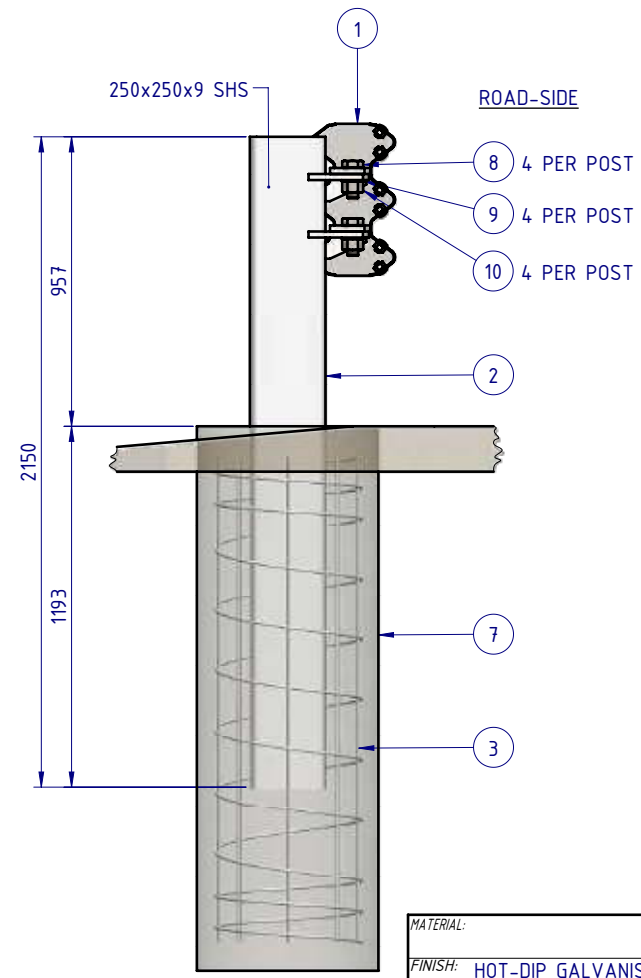
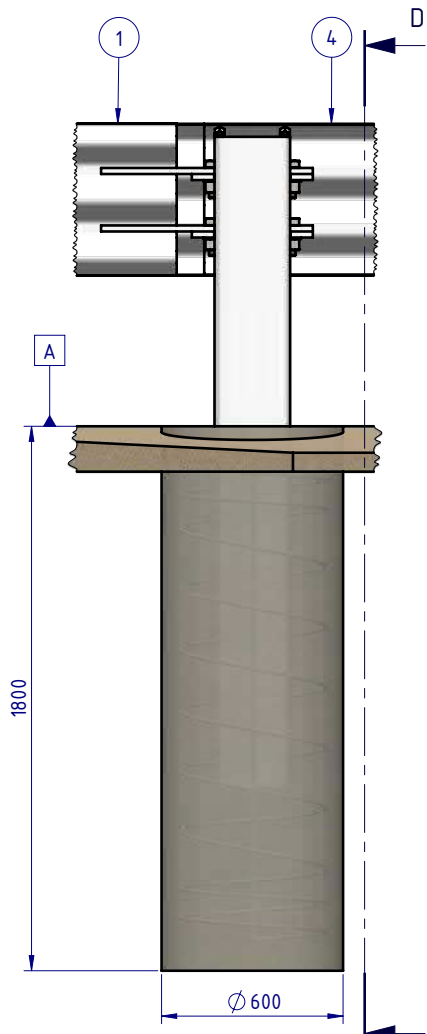
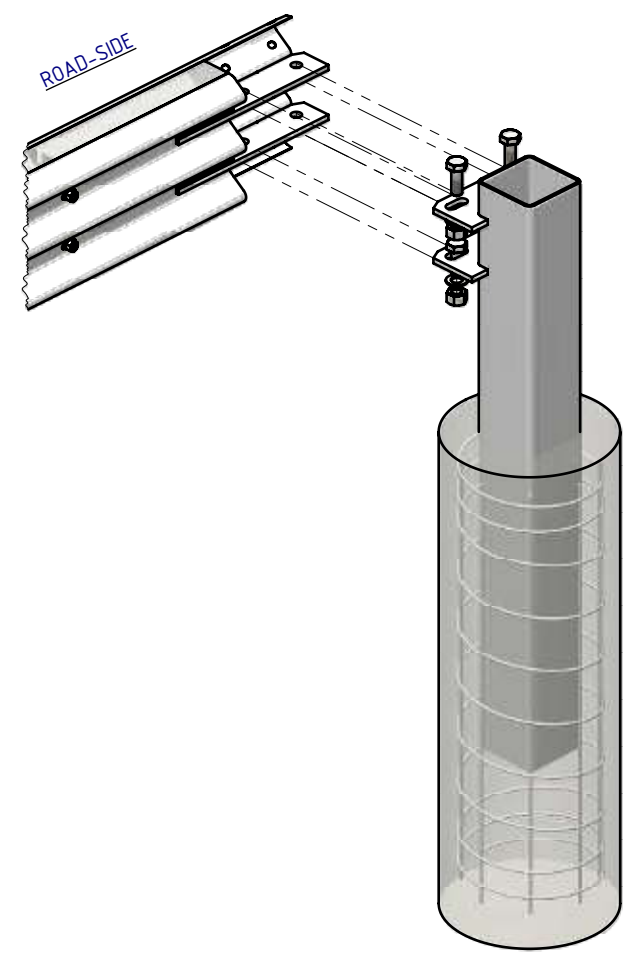
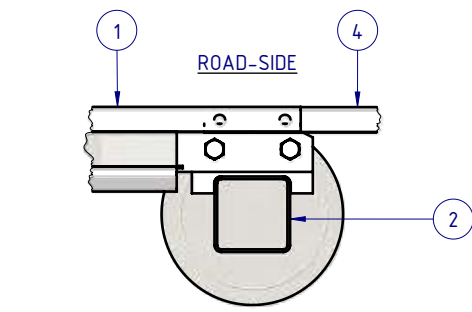


SECTION A-A
SCALE 1:30
CrocGuard >14m

SECTION B-B
SCALE 1:30
CrocGuard ≤14m

BOM				Weight
ITEM NO.	QTY	PART NUMBER	DESCRIPTION	kg
1	1	CG-TB-SR-1600-AG	CrocGuard® Beam 16m NLL	3925
2	1	CG-PG-SH-2150-AG	CrocGuard® Abutment Post	162
3	1	CG-RC-05-1400-AU	CrocGuard® Reinforcing Cage for Abutment Post	21
4	1	GE-TB-SR-4000-BG	Thrie-Beam Bridge Approach GuardRail 3.5mm BMT	86
5	1	GE-TB-SR-1905-AG	Assymetric Approach W-Beam to Thrie-Beam Transition	37
6	8	GR-PG-CS-1860-AG	RamShield® High Containment Post 1860mm	24
7	1	SD-RB-04003-03	Concrete Footing 32 MPa (BY OTHERS)	1140
8	4	AS-NZS 1252 - M36 x 100-C-CL8.8-HDG	M36x100 Hex Structural Bolt Class 8.8 HDG	
9	4	AS-NZS 1252 - 36-Gr8.8-HDG	M36 Washer Structural HDG	
10	4	AS-NZS 1252 NS - M36-W-N-Gr8.8-HDG	M36 Hex Nut Structural HDG	

MATERIAL: FINISH: HOT-DIP GALVANISED AS/NZS 4680				TITLE: Road Barriers - Transitions RamShield® Transition W-Beam to CrocGuard® General Arrangement		
STATUS: DRAWN: W. Rogulski 14/01/2022 CHK'D: T. Colquhoun 18/10/2021 APPV'D: H. Wallace 18/10/2021				DWG NO.: SD-RB-04003 REVISION: A SHEET SIZE: A4		
U.N.O. TOLERANCES: ±1mm ALL DIMENSIONS ARE IN: mm THIRD ANGLE PROJECTION				WEIGHT: 15997.2kg DO NOT SCALE DRAWING SCALE: 1:50 SHEET 1 of 4		
APPROVED				Thursday, 17 March 2022 10:40 PM		



MATERIAL:		
FINISH: HOT-DIP GALVANISED AS/NZS 4680		
STATUS	NAME	DATE
DRAWN	W. Rogulski	14/01/2022
CHK'D	T. Colquhoun	18/10/2021
APPV'D	H. Wallace	18/10/2021

SafeDirection
CRASH BARRIER SOLUTIONS

COPYRIGHT All rights reserved. ABN: 53 156 459 684
These drawings, plans and specifications and the copyright therein are the properties of Safe Direction Pty Ltd, and must not be used, reproduced or copied wholly or in part without written permission.

U.N.O. TOLERANCES: ±1mm
ALL DIMENSIONS ARE IN: mm

APPROVED

THIRD ANGLE PROJECTION

TITLE: Road Barriers - Transitions RamShield® Transition W-Beam to CrocGuard® General Arrangement			
DWG NO.	REVISION:	SHEET SIZE	
SD-RB-04003	A	A4	
WEIGHT: 15997.2kg	SCALE: 1:25	SHEET 2 of 4	

1 2 3 4 5 6

A

A

B

B

C

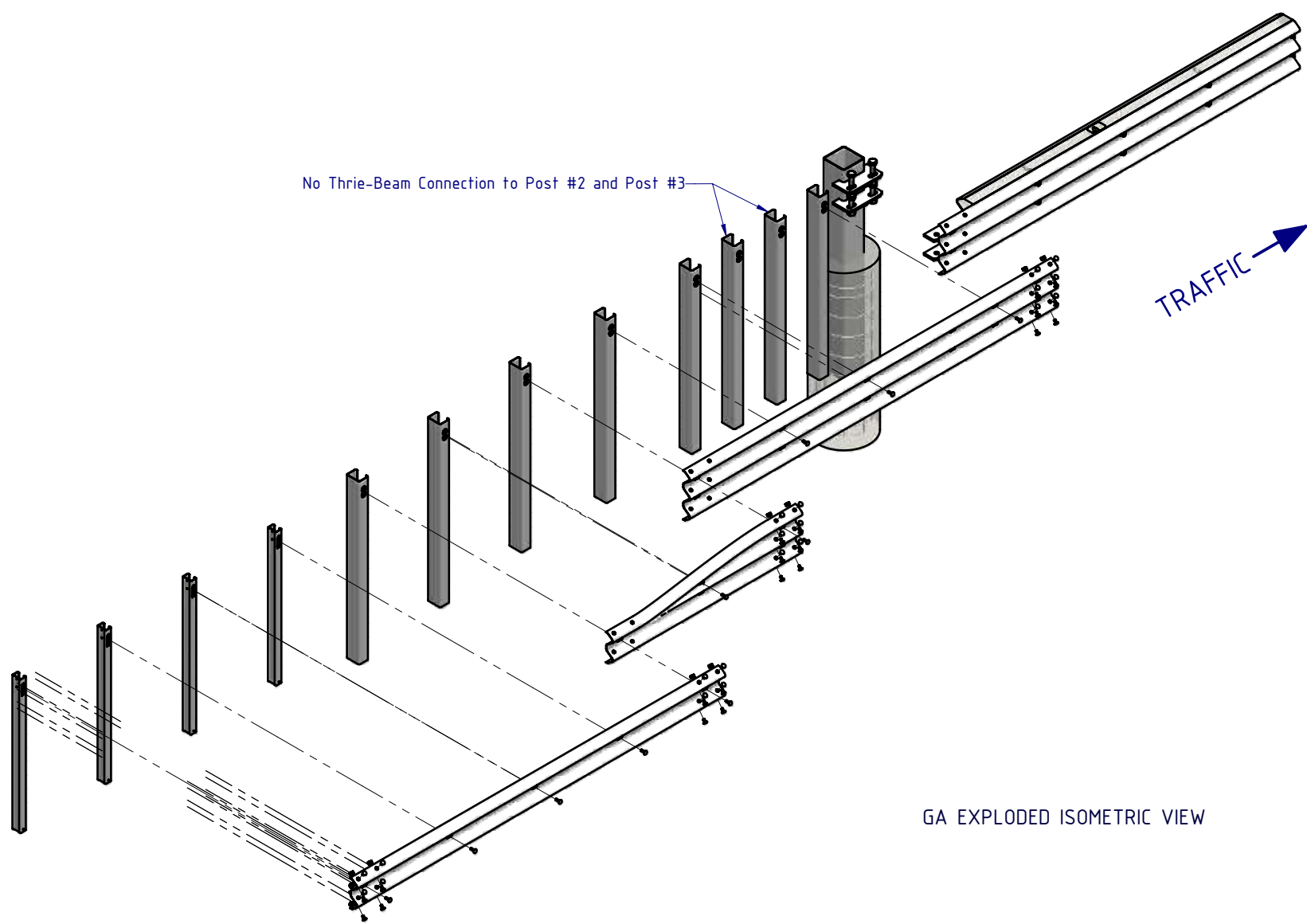
C

D


D

No Thrie-Beam Connection to Post #2 and Post #3

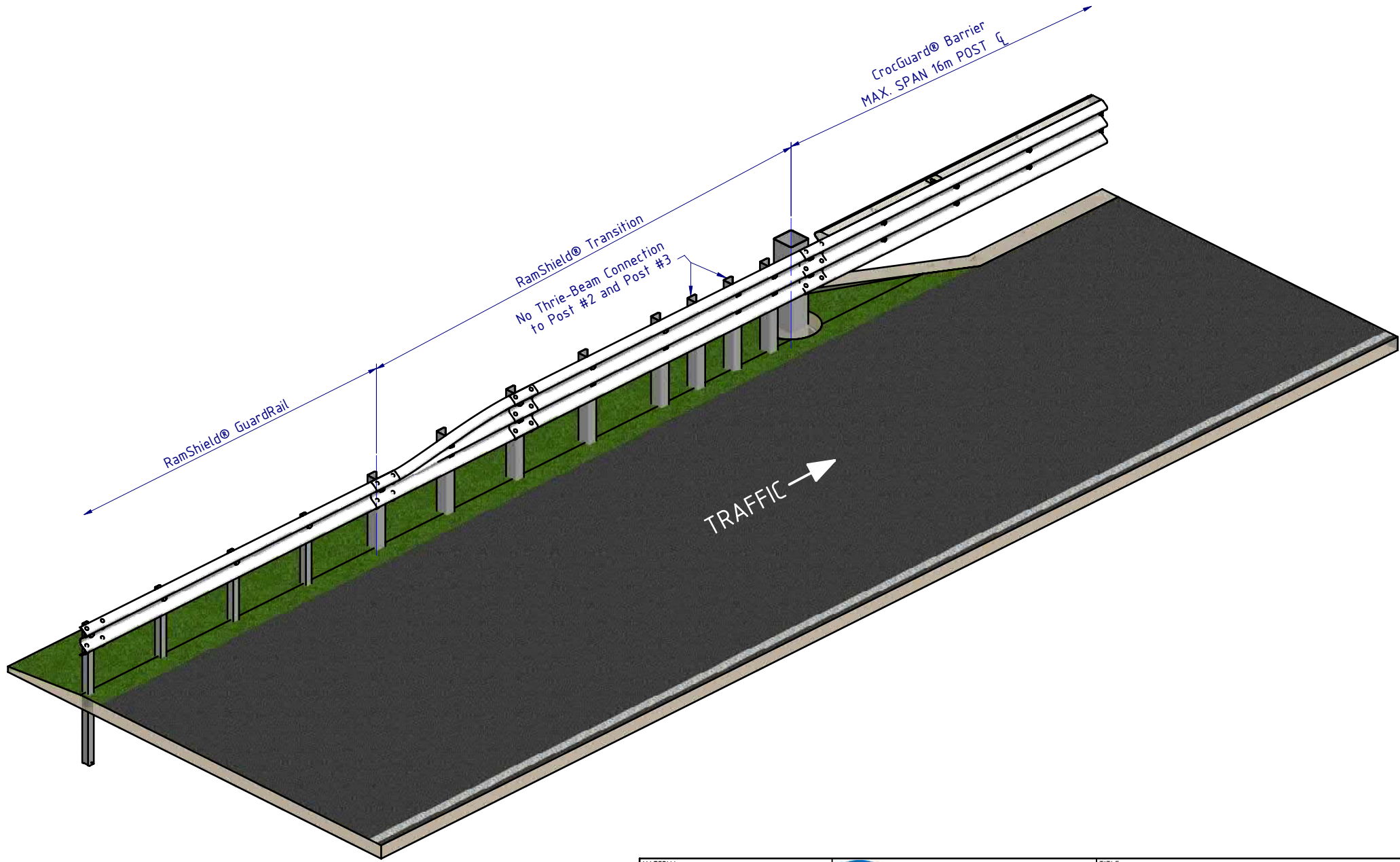
TRAFFIC →




GA EXPLODED ISOMETRIC VIEW

MATERIAL: FINISH: HOT-DIP GALVANISED AS/NZS 4680			 CRASH BARRIER SOLUTIONS			TITLE: Road Barriers - Transitions RamShield® Transition W-Beam to CrocGuard® General Arrangement				
STATUS DRAWN CHK'D APPV'D	NAME W. Rogulski T. Colquhoun H. Wallace	DATE 14/01/2022 18/10/2021 18/10/2021	COPYRIGHT: All rights reserved. ABN: 53 156 459 684 These drawings, plans and specifications and the copyright therein are the properties of Safe Direction Pty Ltd, and must not be used, reproduced or copied wholly or in part without written permission. U.N.O. TOLERANCES: ±1mm ALL DIMENSIONS ARE IN: mm			DWG NO. SD-RB-04003		REVISION: A	SHEET SIZE A4	
APPROVED			THIRD ANGLE PROJECTION			WEIGHT: 15997.2kg		DO NOT SCALE DRAWING	SCALE: 1:50	SHEET 3 of 4

1 2 3 4 5 6



MATERIAL:			 SafeDirection CRASH BARRIER SOLUTIONS		TITLE:			
FINISH: HOT-DIP GALVANISED AS/NZS 4680					Road Barriers - Transitions RamShield® Transition W-Beam to CrocGuard® General Arrangement			
STATUS	NAME	DATE	COPYRIGHT: All rights reserved. ABN: 53 156 459 684 These drawings, plans and specifications and the copyright therein are the properties of Safe Direction Pty Ltd, and must not be used, reproduced or copied wholly or in part without written permission.		DWG NO.	REVISION:	SHEET SIZE	
DRAWN	W. Rogulski	14/01/2022	U.N.O. TOLERANCES: ±1mm ALL DIMENSIONS ARE IN: mm		SD-RB-04003	A	A4	
CHK'D	T. Colquhoun	18/10/2021						
APPV'D	H. Wallace	18/10/2021	STATUS:	APPROVED	WEIGHT: 15997.2kg	DO NOT SCALE DRAWING	SCALE: 1:50	SHEET 4 of 4