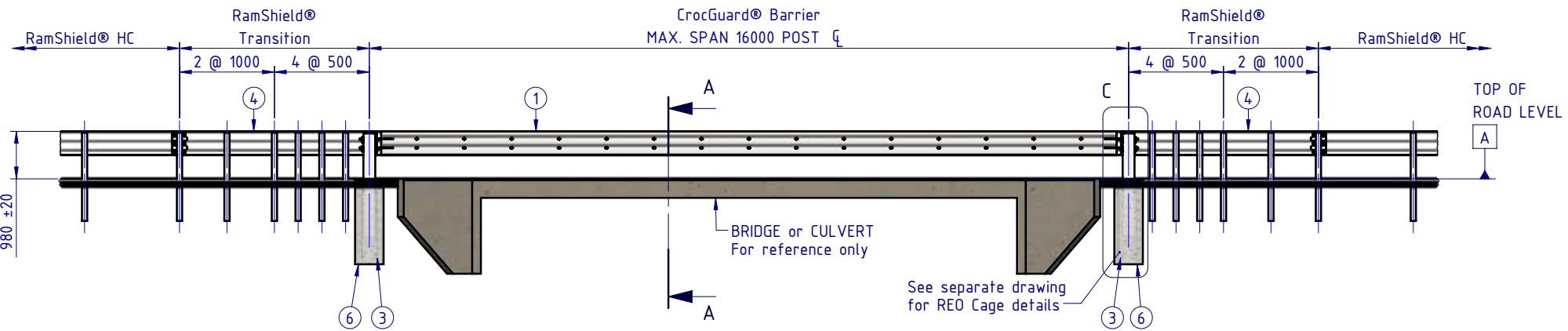


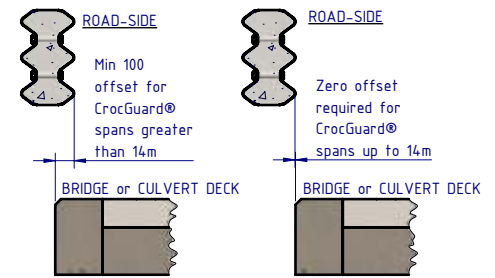
REVISIONS				
REV.	ZONE	DESCRIPTION	DATE	APPV'D
A		ORIGINAL ISSUE	15/10/2021	WR



PLAN VIEW



FRONT ELEVATION VIEW



SECTION A-A SCALE 1:40
CrocGuard® >14m

SECTION B-B SCALE 1:40
CrocGuard® ≤14m

BOM				
ITEM NO.	QTY	PART NUMBER	DESCRIPTION	Weight kg
1	1	CG-TB-SR-1600-AG	CrocGuard® Beam 16m NLL	3925.3
2	2	CG-PG-SH-2150-AG	CrocGuard® Abutment Post	162.2
3	2	CG-RC-05-1400-AU	CrocGuard® Reinforcing Cage for Abutment Post	20.7
4	2	GE-TB-SR-4000-BG	Thrie-Beam Bridge Approach GuardRail 3.5mm BMT	86.3
5	12	GR-PG-CS-1860-AG	RamShield® High Containment Post 1860mm	23.9
6	2	SD-RB-06001-03	Concrete Footing 32 MPa (BY OTHERS)	114.0
7	8	CG-FS-36-0100-HG	M36x100 Structural Hex Bolt/Nut/Washer, Class 8.8 HDG	0.3

MATERIAL:		
FINISH: HOT-DIP GALVANISED AS/NZS 4680		
STATUS	NAME	DATE
DRAWN	W. Rogulski	14/01/2022
CHK'D	T. Colquhoun	15/10/2021
APPV'D	H. Wallace	15/10/2021

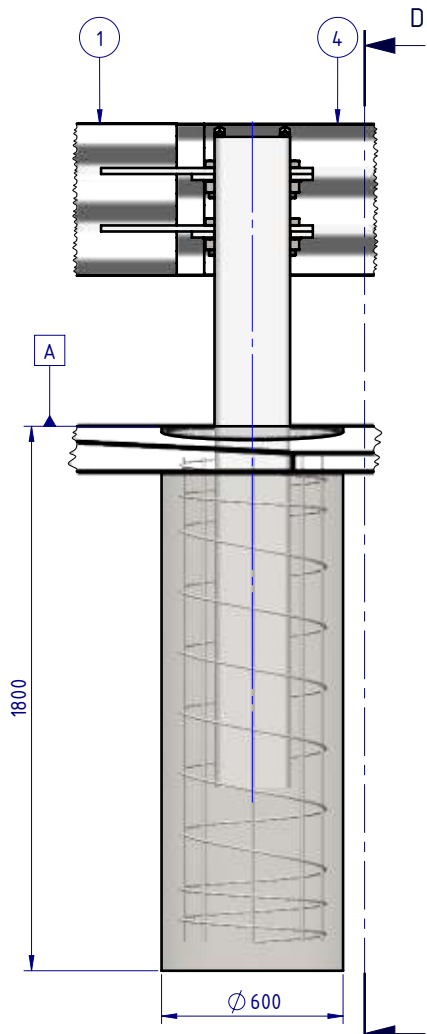
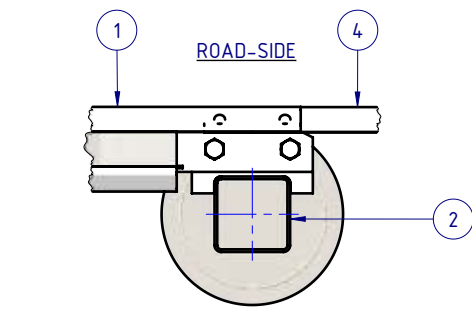
SafeDirection
CRASH BARRIER SOLUTIONS

COPYRIGHT All rights reserved. These drawings, plans and specifications and the copyright therein are the properties of Safe Direction Pty Ltd, and must not be used, reproduced or copied wholly or in part without written permission.

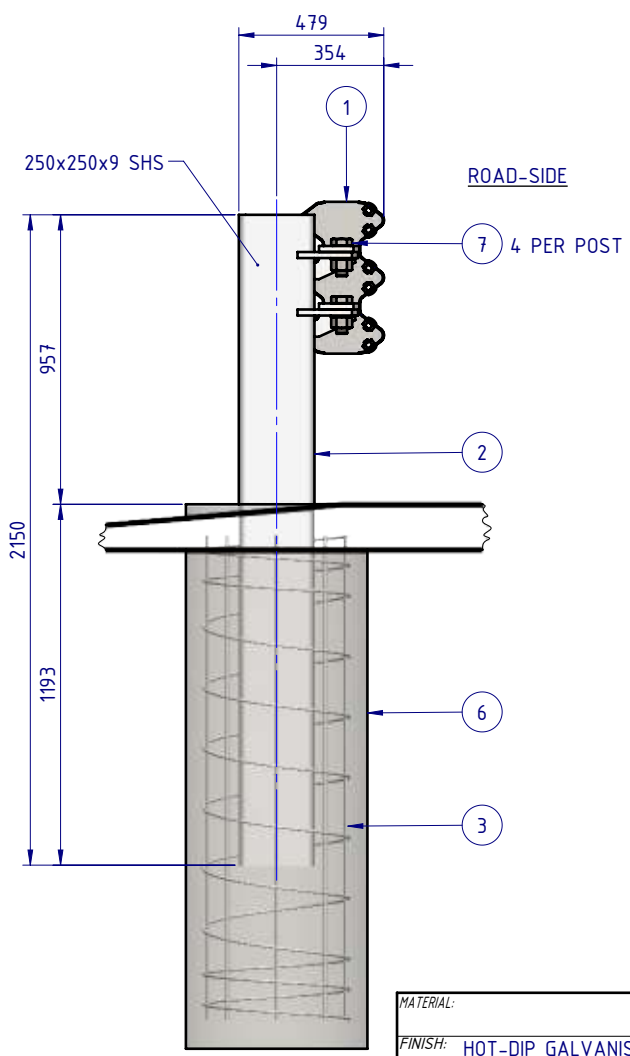
U.N.O. TOLERANCES: ±1mm ALL DIMENSIONS ARE IN: mm

APPROVED

TITLE: Road Barriers - CrocGuard® 16m CrocGuard® to RamShield® HC			
General Arrangement			
DWG NO.	SD-RB-06001	REVISION:	SHEET SIZE
		A	A4
WEIGHT: 4264.15kg	DO NOT SCALE DRAWING	SCALE: 1:125	SHEET 1 of 4

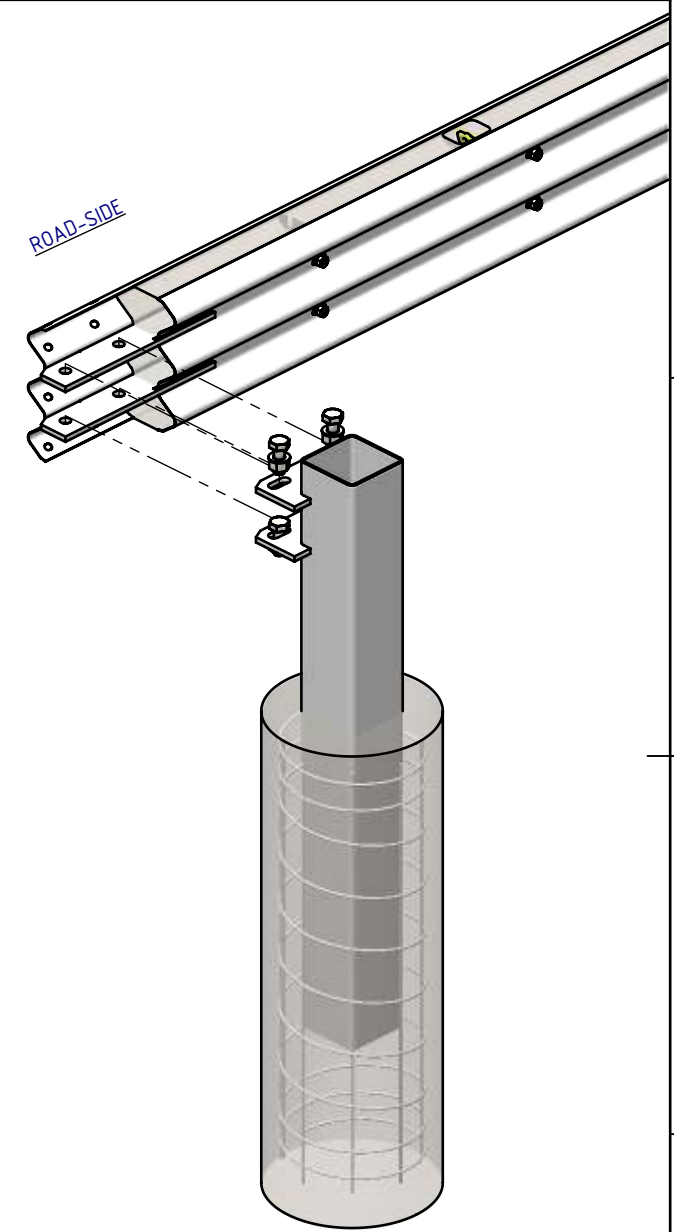


DETAIL C



SECTION D-D

ROAD-SIDE



MATERIAL:		
FINISH: HOT-DIP GALVANISED AS/NZS 4680		
STATUS	NAME	DATE
DRAWN	W. Rogulski	14/01/2022
CHK'D	T. Colquhoun	15/10/2021
APPV'D	H. Wallace	15/10/2021

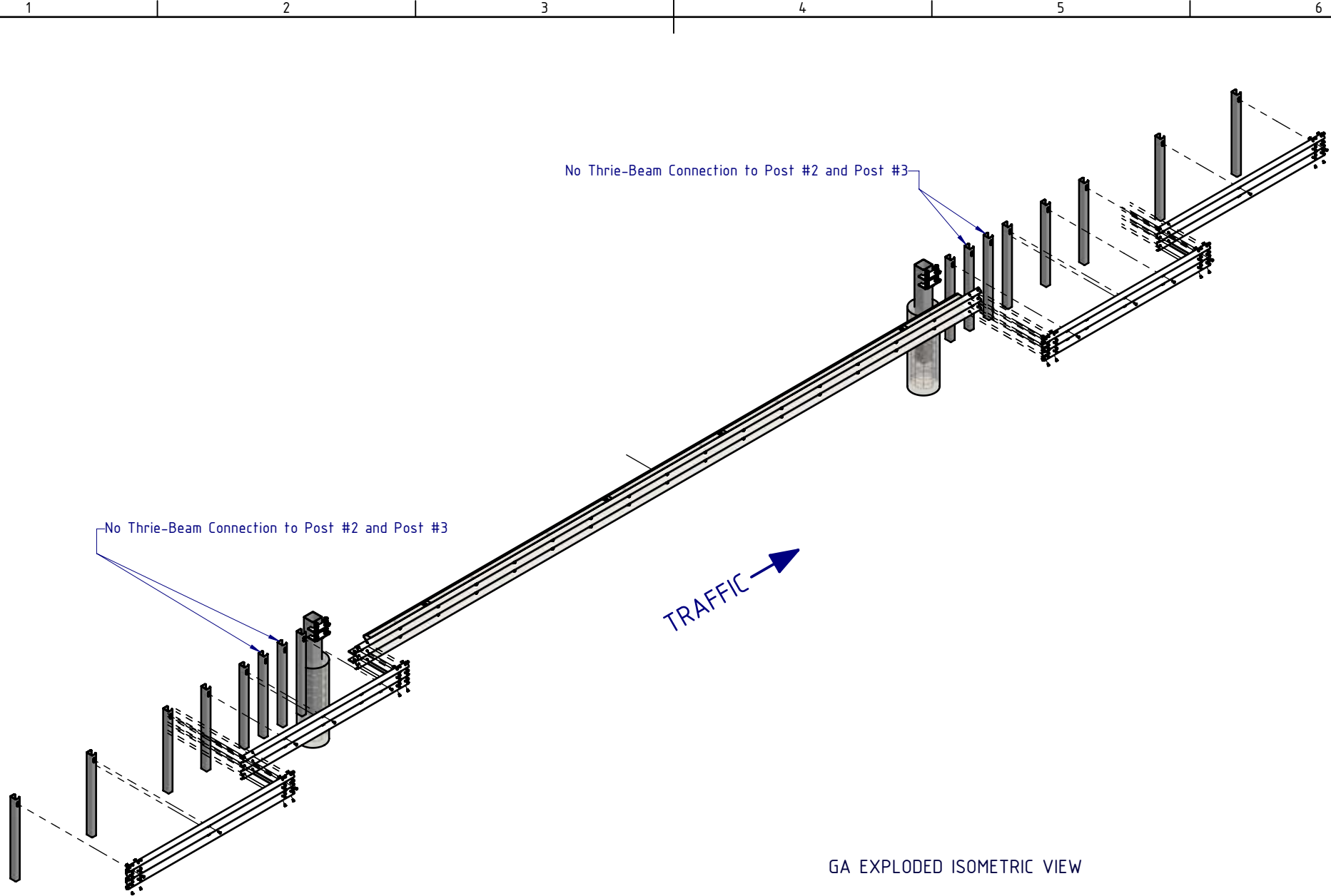
SafeDirection
CRASH BARRIER SOLUTIONS

COPYRIGHT All rights reserved. ABN: 53 156 459 684
These drawings, plans and specifications and the copyright therein are the properties of Safe Direction Pty Ltd, and must not be used, reproduced or copied wholly or in part without written permission.


U.N.O. TOLERANCES: ±1mm
ALL DIMENSIONS ARE IN: mm

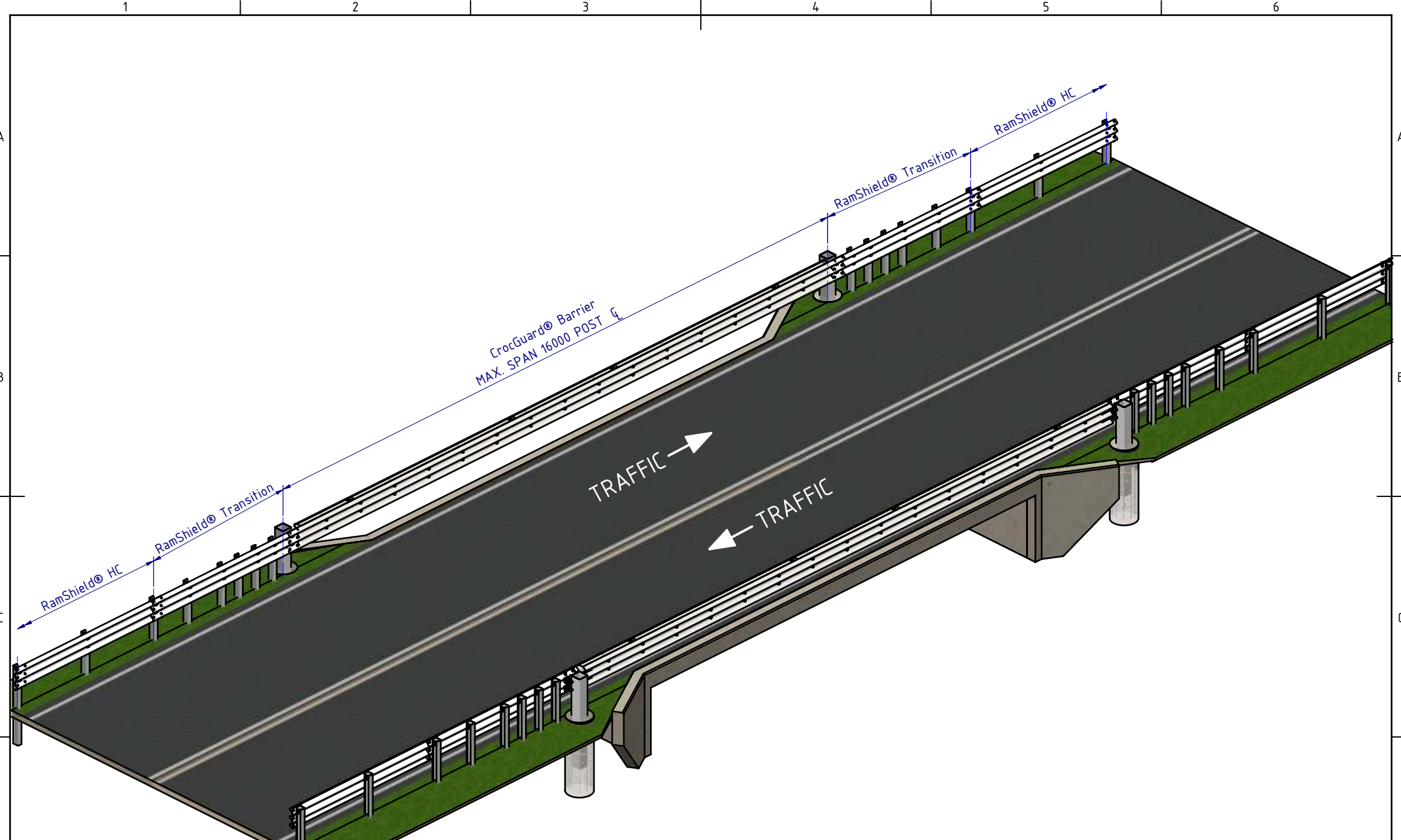
APPROVED

TITLE:		Road Barriers - CrocGuard® 16m CrocGuard® to RamShield® HC	
DWG NO.:		SD-RB-06001	
REVISION:	SHEET SIZE:	A	A4
WEIGHT:	SCALE:	4264.15kg	1:25
STATUS:		SHEET 2 of 4	



GA EXPLODED ISOMETRIC VIEW

MATERIAL:			 SafeDirection CRASH BARRIER SOLUTIONS	TITLE: Road Barriers - CrocGuard® 16m CrocGuard® to RamShield® HC		
FINISH: HOT-DIP GALVANISED AS/NZS 4680				General Arrangement		
STATUS	NAME	DATE	<small>COPYRIGHT All rights reserved. ABN: 53 156 459 684 These drawings, plans and specifications and the copyright therein are the properties of Safe Direction Pty Ltd, and must not be used, reproduced or copied wholly or in part without written permission. U.N.O. TOLERANCES: ±1mm ALL DIMENSIONS ARE IN: mm</small>			
DRAWN	W. Rogulski	14/01/2022				
CHK'D	T. Colquhoun	15/10/2021				
APPV'D	H. Wallace	15/10/2021				
STATUS: APPROVED			DWG NO: SD-RB-06001	REVISION: A	SHEET SIZE: A4	
			WEIGHT: 4264.15kg	DO NOT SCALE DRAWING	SCALE: 1:100 SHEET 3 of 4	



MATERIAL:		
FINISH: HOT-DIP GALVANISED AS/NZS 4680		
STATUS	NAME	DATE
DRAWN	W. Rogulski	14/01/2022
CHK'D	T. Colquhoun	15/10/2021
APPV'D	H. Wallace	15/10/2021

SafeDirection
 CRASH BARRIER SOLUTIONS

COPYRIGHT All rights reserved. ABN: 53 156 459 684
 These drawings, plans and specifications and the copyright therein are the properties of Safe Direction Pty Ltd, and must not be used, reproduced or copied wholly or in part without written permission.
 U.N.O. TOLERANCES: ±1mm ALL DIMENSIONS ARE IN: mm

THIRD ANGLE PROJECTION

APPROVED

TITLE: Road Barriers - CrocGuard® 16m CrocGuard® to RamShield® HC		REVISION: A		SHEET SIZE: A4	
DWG NO: SD-RB-06001		WEIGHT: 4264.15kg		SCALE: 1:100	
STATUS: APPROVED		DO NOT SCALE DRAWING		SHEET 4 of 4	