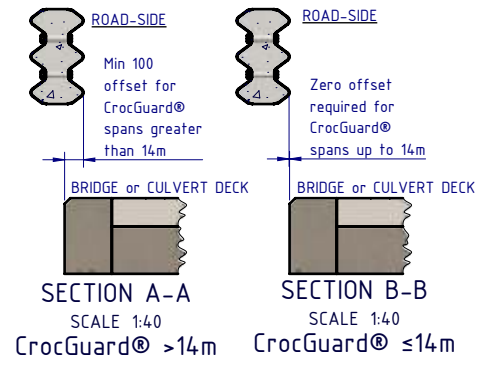
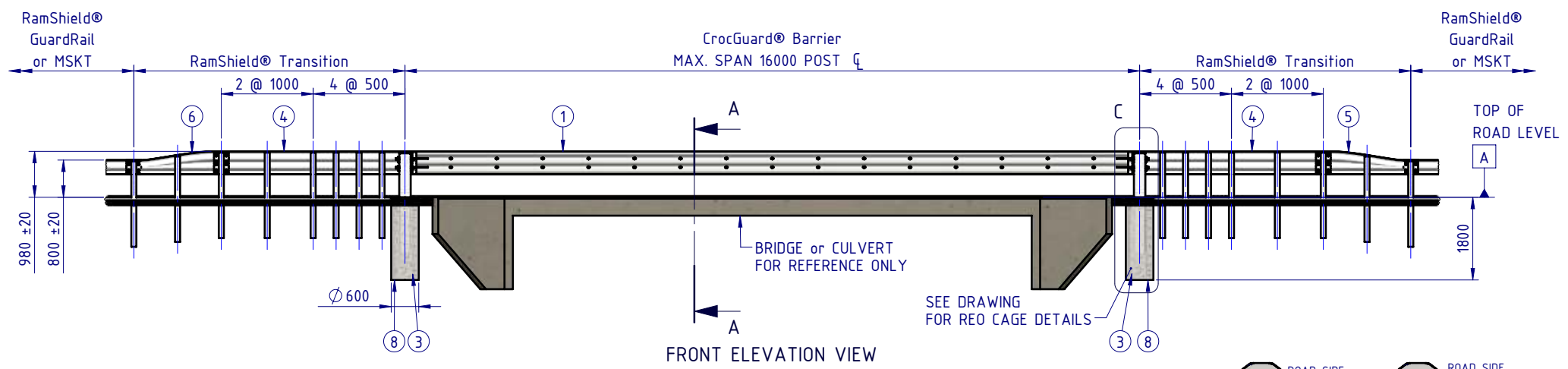
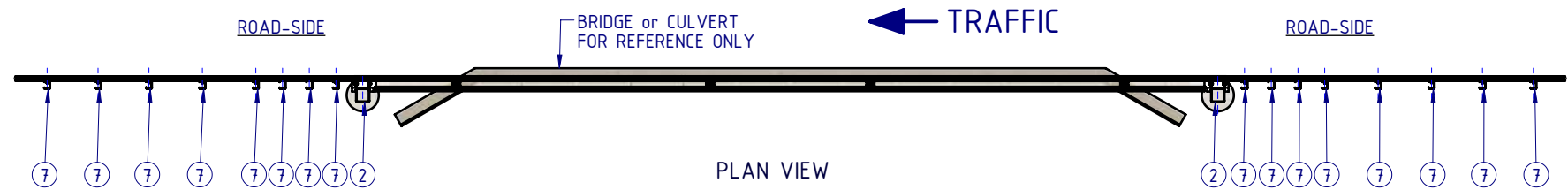
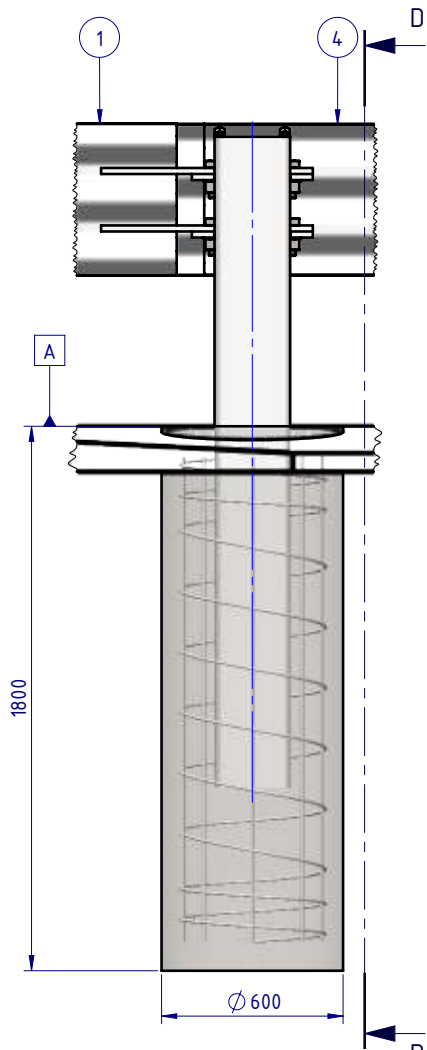
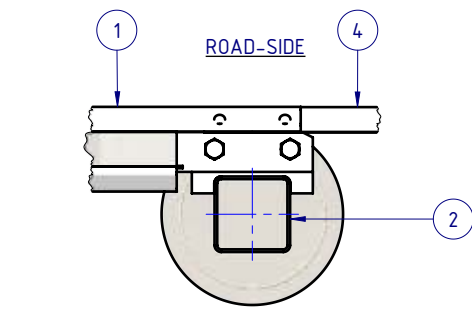


REVISIONS				
REV.	ZONE	DESCRIPTION	DATE	APPV'D
A		ORIGINAL ISSUE	7/10/2021	WR

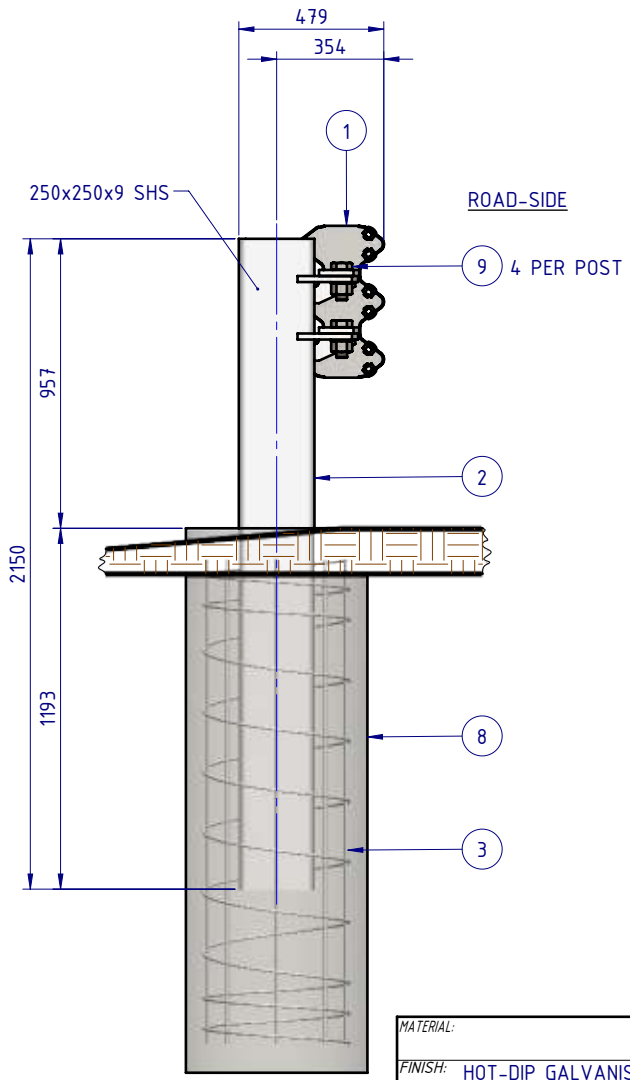


BOM				
ITEM NO.	QTY	PART NUMBER	DESCRIPTION	Weight kg
1	1	CG-TB-SR-1600-AG	CrocGuard® Beam 16m NLL	3925.3
2	2	CG-PG-SH-2150-AG	CrocGuard® Abutment Post	162.2
3	2	CG-RC-05-1400-AU	CrocGuard® Reinforcing Cage for Abutment Post	20.7
4	2	GE-TB-SR-4000-BG	Thrie-Beam Bridge Approach GuardRail 3.5mm BMT	86.3
5	1	GE-TB-SR-1905-AG	Assymetric Approach W-Beam to Thrie-Beam Transition	36.5
6	1	GE-TB-SR-1905-DG	Assymetric Departure Thrie-Beam to W-Beam Transition	36.5
7	16	GR-PG-CS-1860-AG	RamShield® High Containment Post 1860mm	23.9
8	2	SD-RB-06000-03	Concrete Footing 32 MPa (BY OTHERS)	1140.0
9	8	CG-FS-36-0100-HG	M36x100 Structural Hex Bolt / Nut / Washer, Class 8.8 HDG	0.3

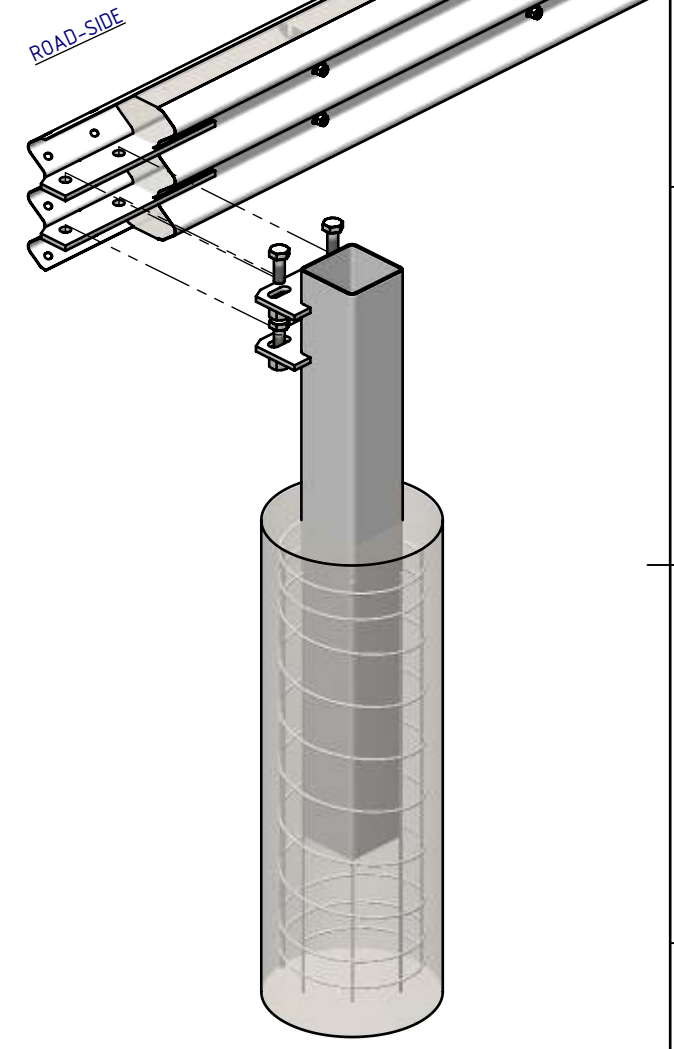
MATERIAL: FINISH: HOT-DIP GALVANISED AS/NZS 4680			<p>SafeDirection CRASH BARRIER SOLUTIONS</p> <p>ABN: 53 156 459 684 Copyright All rights reserved. These drawings, plans and specifications and the copyright therein are the properties of Safe Direction Pty Ltd, and must not be used, reproduced or copied wholly or in part without written permission. U.N.O. TOLERANCES: ±1mm ALL DIMENSIONS ARE IN: mm</p> <p>APPROVED</p>	TITLE: Road Barriers - CrocGuard® 16m CrocGuard® to RamShield® W-Beam General Arrangement														
STATUS: <table border="1"> <thead> <tr> <th>STATUS</th> <th>NAME</th> <th>DATE</th> </tr> </thead> <tbody> <tr> <td>DRAWN</td> <td>W. Rogulski</td> <td>14/01/2022</td> </tr> <tr> <td>CHK'D</td> <td>T. Colquhoun</td> <td>7/10/2021</td> </tr> <tr> <td>APPV'D</td> <td>H. Wallace</td> <td>7/10/2021</td> </tr> </tbody> </table>				STATUS	NAME	DATE	DRAWN	W. Rogulski	14/01/2022	CHK'D	T. Colquhoun	7/10/2021	APPV'D	H. Wallace	7/10/2021	DWG NO.: SD-RB-06000	REVISION: A	SHEET: A4
STATUS	NAME	DATE																
DRAWN	W. Rogulski	14/01/2022																
CHK'D	T. Colquhoun	7/10/2021																
APPV'D	H. Wallace	7/10/2021																
WEIGHT: 45400.7kg			SCALE: 1:125	SHEET 1 of 4														
<p>Friday, 3 June 2022 7:45:21 AM</p>																		




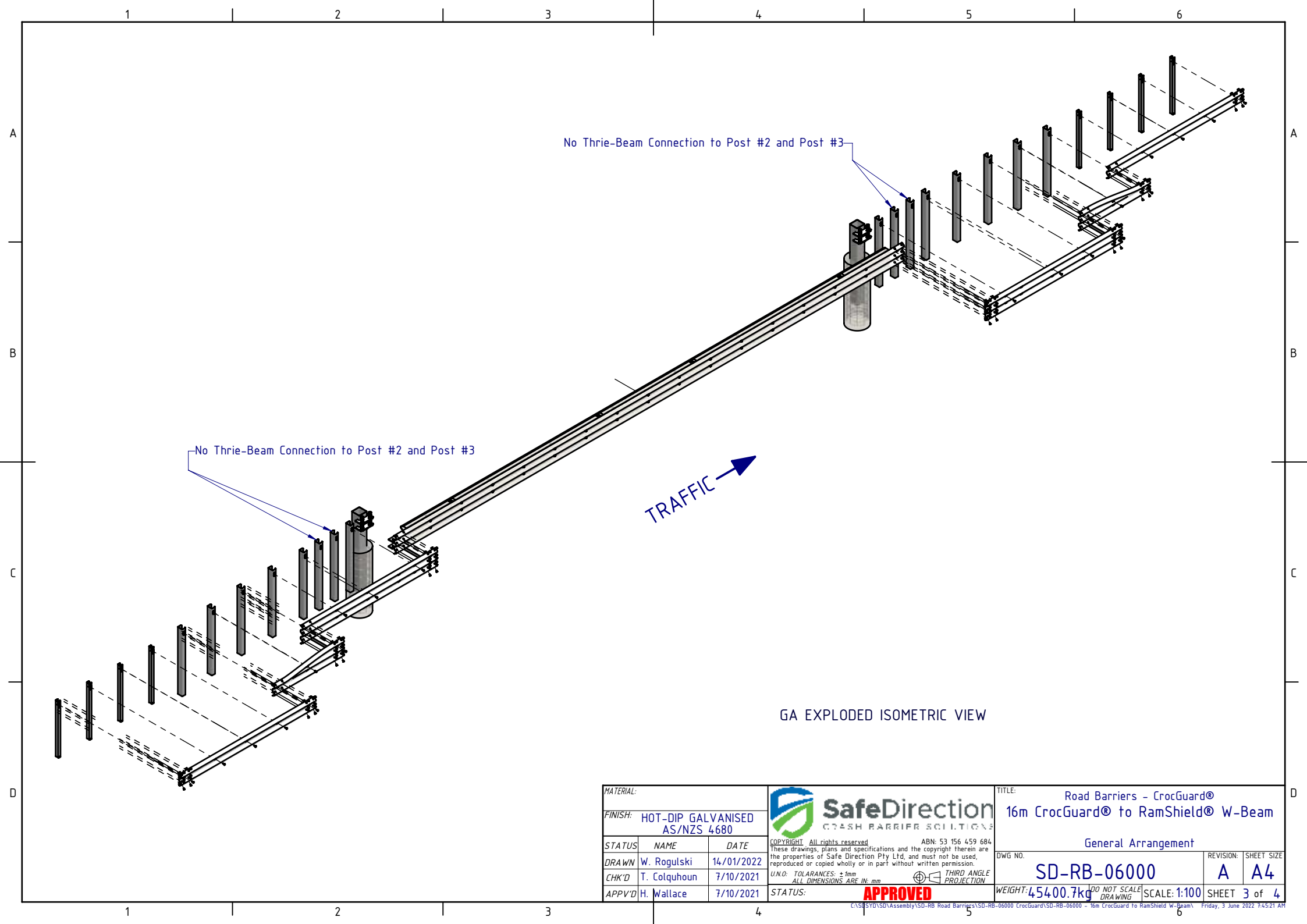
DETAIL C



SECTION D-D



MATERIAL:			 SafeDirection CRASH BARRIER SOLUTIONS	TITLE: Road Barriers - CrocGuard® 16m CrocGuard® to RamShield® W-Beam			
FINISH: HOT-DIP GALVANISED AS/NZS 4680				General Arrangement			
STATUS	NAME	DATE	<small>COPYRIGHT All rights reserved. ABN: 53 156 459 684 These drawings, plans and specifications and the copyright therein are the properties of Safe Direction Pty Ltd, and must not be used, reproduced or copied wholly or in part without written permission.</small> <small>U.N.O. TOLERANCES: ±1mm ALL DIMENSIONS ARE IN: mm</small>	DWG NO.	REVISION: SHEET SIZE		
DRAWN	W. Rogulski	14/01/2022		SD-RB-06000	A A4		
CHK'D	T. Colquhoun	7/10/2021				WEIGHT: 45400.7kg	SCALE: 1:25 SHEET 2 of 4
APPV'D	H. Wallace	7/10/2021					
STATUS: APPROVED			<small>C:\301\SD\Assembly\SD-RB Road Barriers\SD-RB-06000 CrocGuard\SD-RB-06000 - 16m CrocGuard To RamShield W-Beam\ Friday, 3 June 2022 7:45:21 AM</small>				





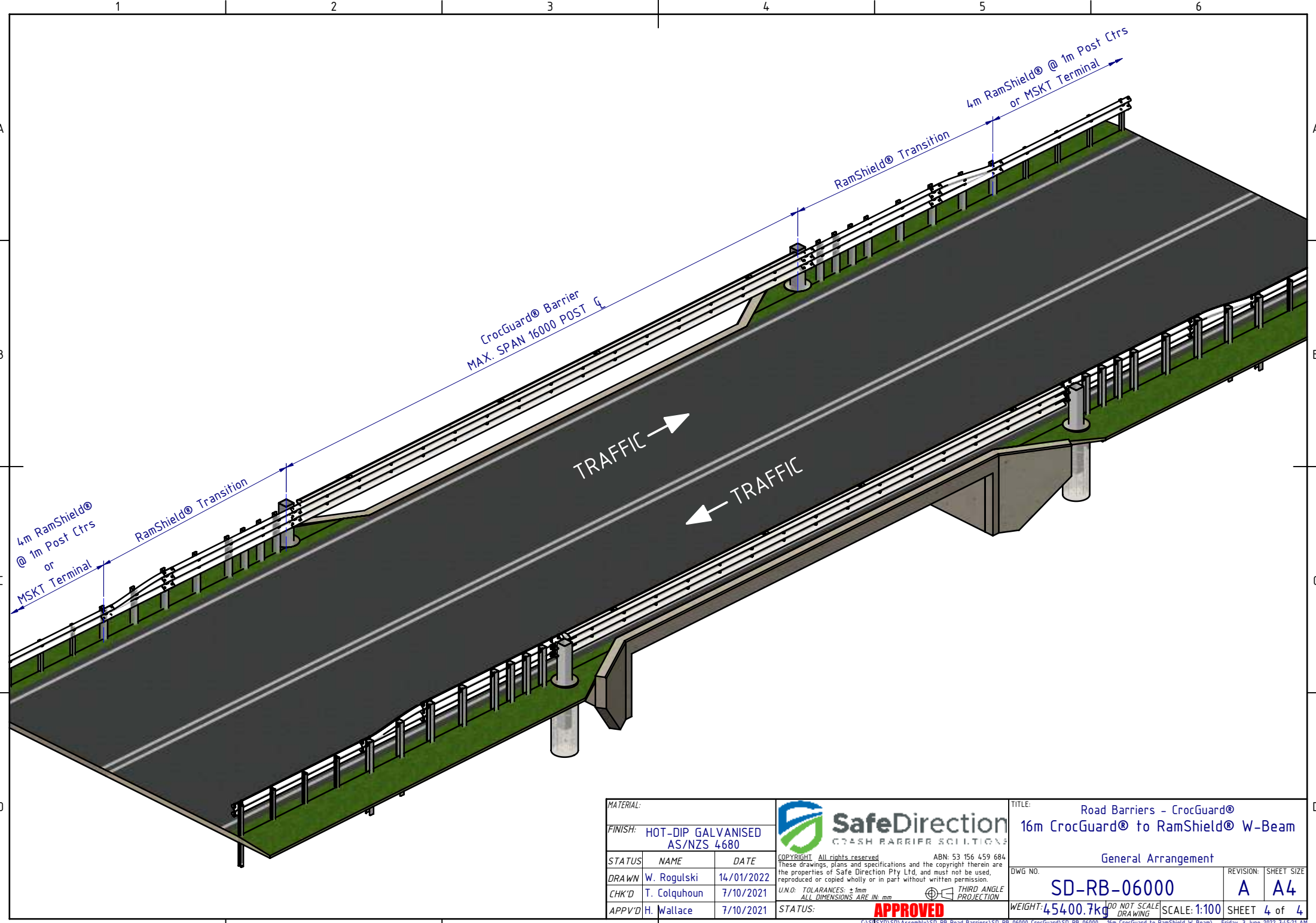
No Thrie-Beam Connection to Post #2 and Post #3

No Thrie-Beam Connection to Post #2 and Post #3

TRAFFIC →

GA EXPLODED ISOMETRIC VIEW

MATERIAL:			 <p>SafeDirection CRASH BARRIER SOLUTIONS</p>	TITLE: Road Barriers - CrocGuard® 16m CrocGuard® to RamShield® W-Beam		
FINISH: HOT-DIP GALVANISED AS/NZS 4680				General Arrangement		
STATUS	NAME	DATE	<small>COPYRIGHT All rights reserved. ABN: 53 156 459 684 These drawings, plans and specifications and the copyright therein are the properties of Safe Direction Pty Ltd, and must not be used, reproduced or copied wholly or in part without written permission.</small>			
DRAWN	W. Rogulski	14/01/2022	DWG NO:	REVISION:	SHEET SIZE:	
CHK'D	T. Colquhoun	7/10/2021	SD-RB-06000	A	A4	
APPV'D	H. Wallace	7/10/2021	WEIGHT: 45400.7kg	SCALE: 1:100	SHEET 3 of 4	
<small>U.N.O. TOLERANCES: ±1mm ALL DIMENSIONS ARE IN: mm</small>			<small>THIRD ANGLE PROJECTION</small>			
STATUS:						



MATERIAL:		
FINISH: HOT-DIP GALVANISED AS/NZS 4680		
STATUS	NAME	DATE
DRAWN	W. Rogulski	14/01/2022
CHK'D	T. Colquhoun	7/10/2021
APPV'D	H. Wallace	7/10/2021

SafeDirection
 CRASH BARRIER SOLUTIONS

COPYRIGHT All rights reserved. ABN: 53 156 459 684
 These drawings, plans and specifications and the copyright therein are the properties of Safe Direction Pty Ltd, and must not be used, reproduced or copied wholly or in part without written permission.
 U.N.O. TOLERANCES: ±1mm ALL DIMENSIONS ARE IN: mm

THIRD ANGLE PROJECTION

APPROVED

TITLE: Road Barriers - CrocGuard® 16m CrocGuard® to RamShield® W-Beam General Arrangement		DWG NO:	REVISION:	SHEET SIZE
		SD-RB-06000	A	A4
WEIGHT:	DO NOT SCALE DRAWING	SCALE:	SHEET 4 of 4	
45400.7kg		1:100		