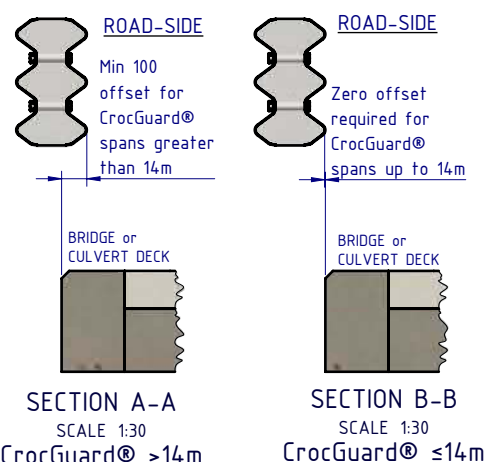
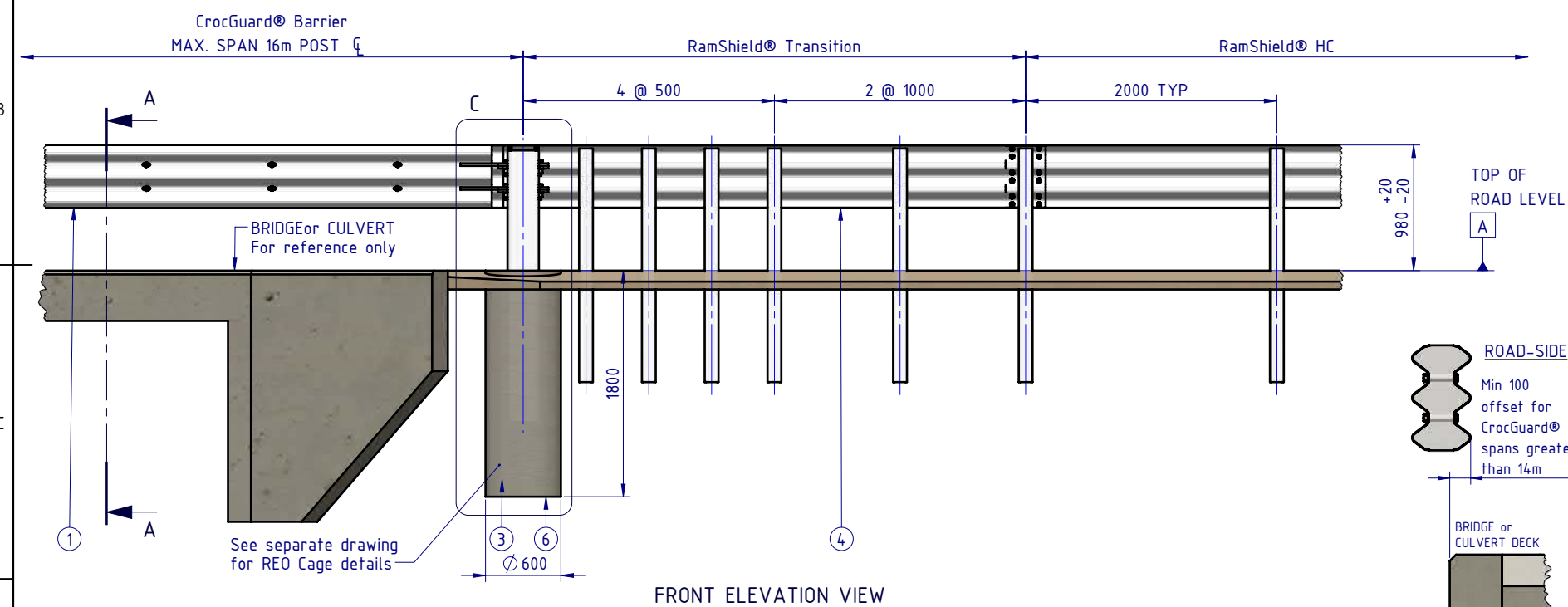
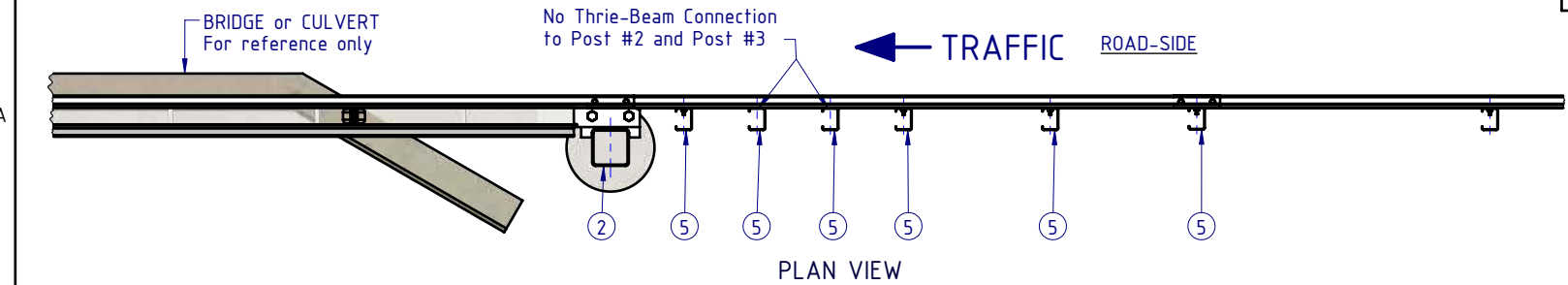
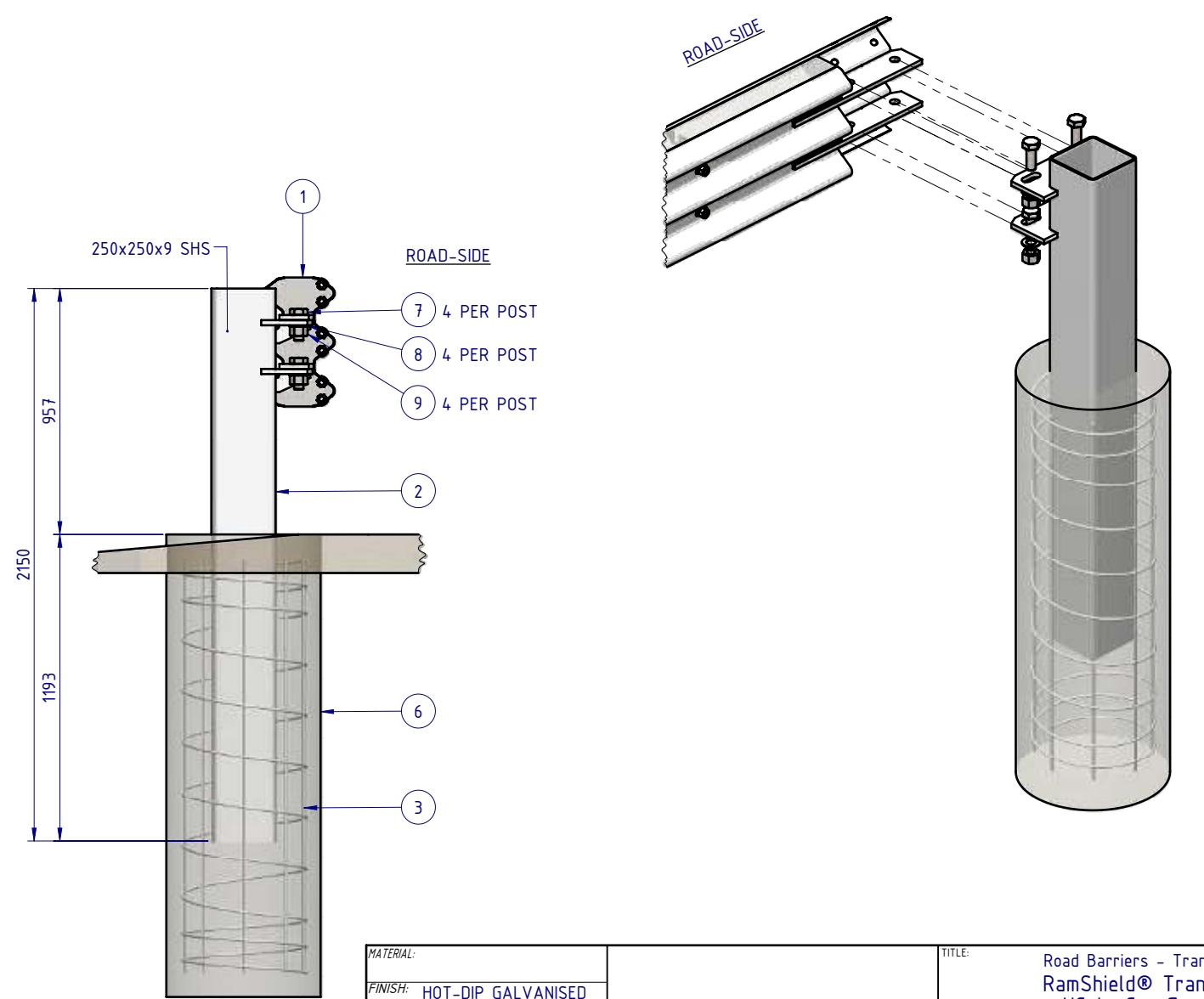
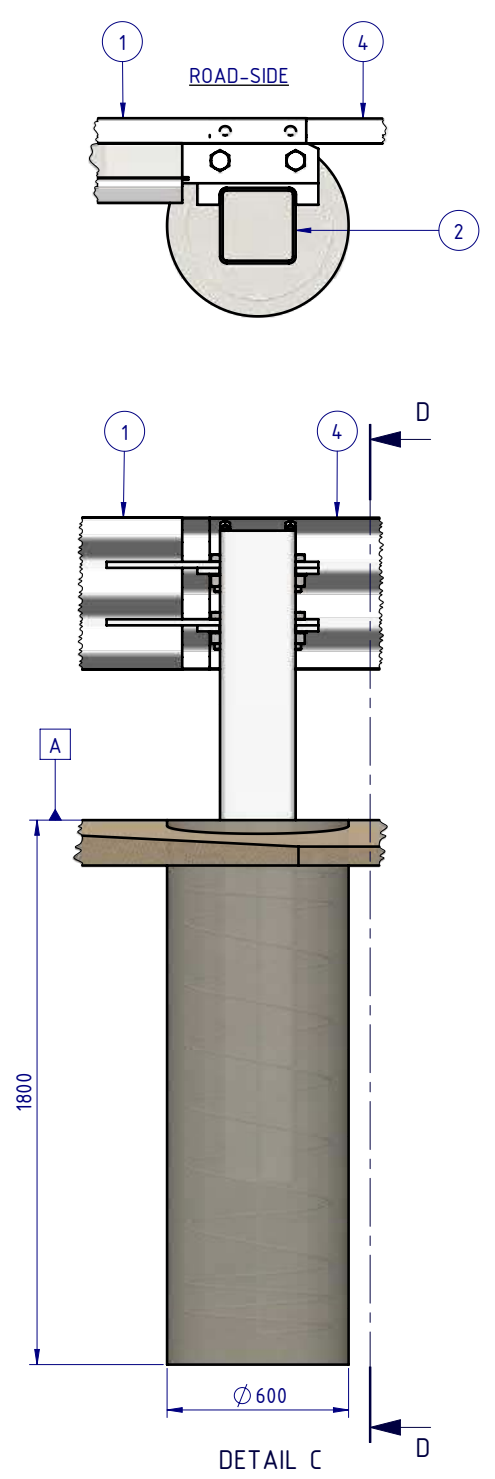


REVISIONS				
REV.	ZONE	DESCRIPTION	DATE	APPV'D
A		ORIGINAL ISSUE	18/10/2021	WR

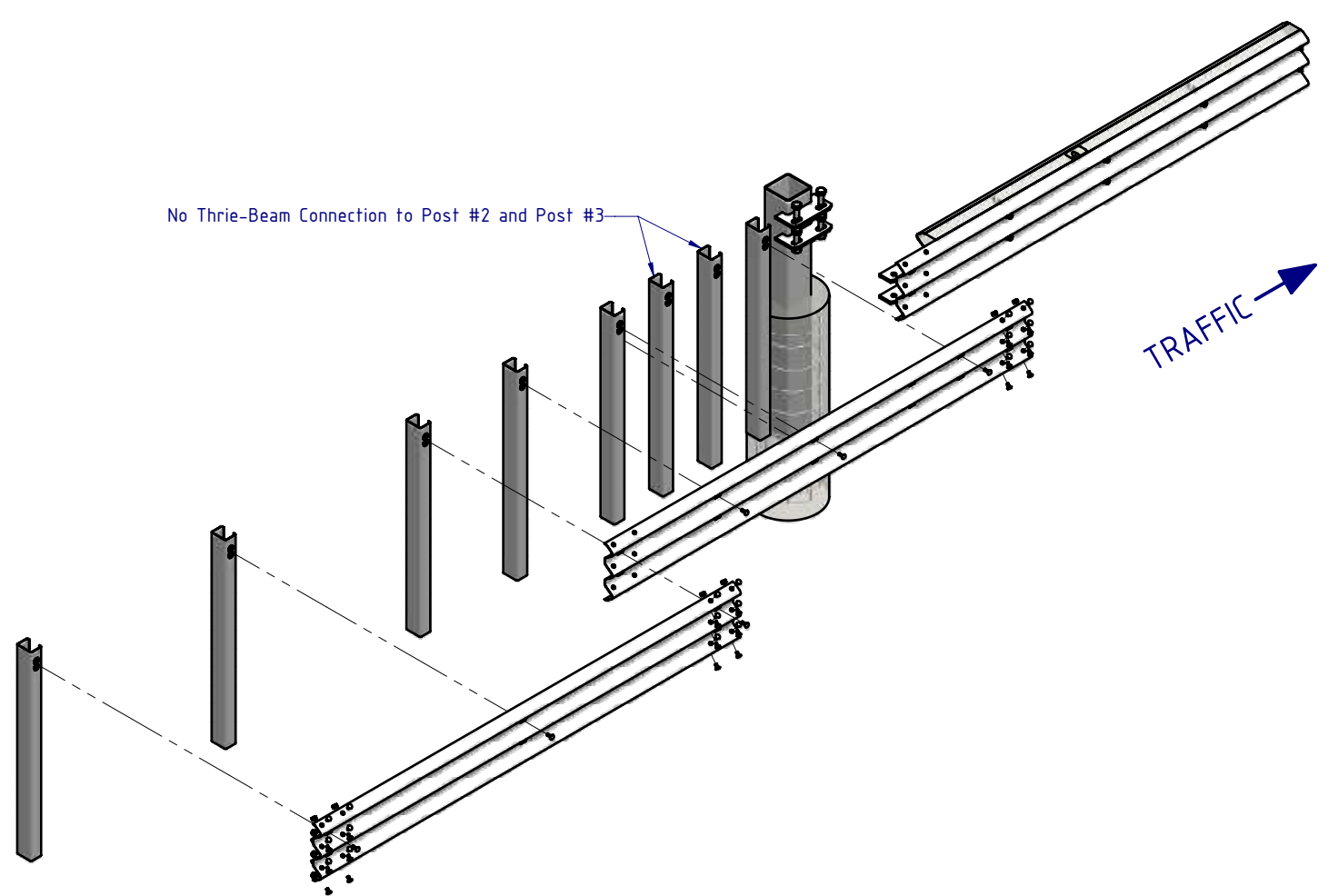


BOM				Weight
ITEM NO.	QTY	PART NUMBER	DESCRIPTION	kg
1	1	CG-TB-SR-1600-AG	CrocGuard® Beam 16m NLL	3925
2	1	CG-PG-SH-2150-AG	CrocGuard® Abutment Post	162
3	1	CG-RC-05-1400-AU	CrocGuard® Reinforcing Cage for Abutment Post	21
4	1	GE-TB-SR-4000-BG	Thrie-Beam Bridge Approach GuardRail 3.5mm BMT	86
5	6	GR-PG-CS-1860-AG	RamShield® High Containment Post 1860mm	24
6	1	SD-RB-04004-03	Concrete Footing 32 MPa (BY OTHERS)	1140
7	4	AS-NZS 1252 - M36 x 100-N-Gr8.8-BL	M20x100 Hex Structural Bolt Gr8.8 HDG	
8	4	AS-NZS 1252 - 36-Gr8.8-HDG	M36 Washer Structural HDG	
9	4	AS-NZS 1252 NS - M36-W-N-Gr8.8-HDG	M36 Hex Nut Structural HDG	

<b>MATERIAL:</b> FINISH: HOT-DIP GALVANISED AS/NZS 4680				<b>TITLE:</b> Road Barriers - Transitions RamShield® Transition HC to CrocGuard® General Arrangement			
<b>STATUS:</b> DRAWN: W. Rogulski 14/01/2022 CHK'D: T. Colquhoun 18/10/2021 APPV'D: H. Wallace 18/10/2021				DWG NO.: SD-RB-04004	REVISION: A	SHEET SIZE: A4	
COPYRIGHT: All rights reserved. These drawings, plans and specifications and the copyright therein are the properties of Safe Direction Pty Ltd, and must not be used, reproduced or copied wholly or in part without written permission.			ABN: 53 156 459 684	WEIGHT: 14617.4kg	DO NOT SCALE DRAWING	SCALE: 1:50	SHEET 1 of 4

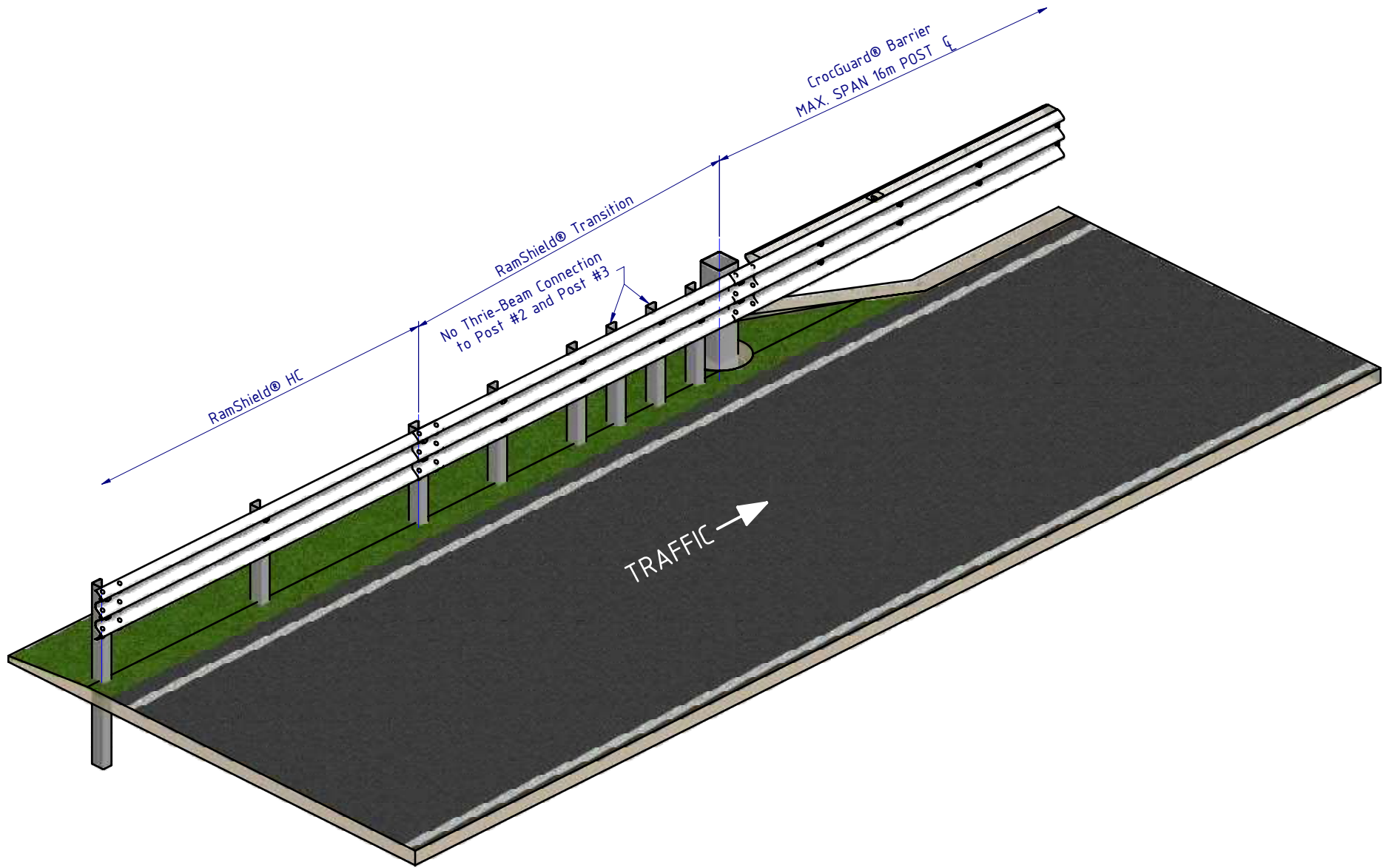


MATERIAL:			COPYRIGHT: All rights reserved. ABN: 53 156 459 684. These drawings, plans and specifications and the copyright therein are the properties of Safe Direction Pty Ltd, and must not be used, reproduced or copied wholly or in part without written permission.		TITLE: Road Barriers - Transitions RamShield® Transition HC to CrocGuard® General Arrangement	
FINISH: HOT-DIP GALVANISED AS/NZS 4680			U.N.O. TOLERANCES: ±1mm ALL DIMENSIONS ARE IN: mm		DWG NO. SD-RB-04004	
STATUS	NAME	DATE	THIRD ANGLE PROJECTION		REVISION: A	SHEET SIZE: A4
DRAWN	W. Rogulski	14/01/2022	APPROVED		WEIGHT: 14617.4kg	SCALE: 1:25
CHK'D	T. Colquhoun	18/10/2021			DO NOT SCALE DRAWING	SHEET 2 of 4
APPV'D	H. Wallace	18/10/2021	STATUS:		TUESDAY, 17 MARCH 2022 1:11:28 PM	



GA EXPLODED ISOMETRIC VIEW

MATERIAL:			<small>COPYRIGHT All rights reserved ABN: 53 156 459 684          These drawings, plans and specifications and the copyright therein are the properties of Safe Direction Pty Ltd, and must not be used, reproduced or copied wholly or in part without written permission.</small>			TITLE:		
FINISH: HOT-DIP GALVANISED AS/NZS 4680						Road Barriers - Transitions RamShield® Transition HC to CrocGuard® General Arrangement		
STATUS	NAME	DATE	<small>U.N.O. TOLERANCES: ±1mm          ALL DIMENSIONS ARE IN: mm</small>			DWG NO.	REVISION:	SHEET SIZE
DRAWN	W. Rogulski	14/01/2021				SD-RB-04004		
CHK'D	T. Colquhoun	18/10/2021	<small>THIRD ANGLE PROJECTION</small>			WEIGHT: 14617.4kg		SCALE: 1:50
APPV'D	H. Wallace	18/10/2021				STATUS: <b>APPROVED</b>		SHEET 3 of 4



MATERIAL:					TITLE:			
FINISH: HOT-DIP GALVANISED AS/NZS 4680					Road Barriers - Transitions RamShield® Transition HC to CrocGuard® General Arrangement			
STATUS	NAME	DATE	<small>COPYRIGHT All rights reserved ABN: 53 156 459 684 These drawings, plans and specifications and the copyright therein are the properties of Safe Direction Pty Ltd, and must not be used, reproduced or copied wholly or in part without written permission.</small> <small>U.N.O. TOLERANCES: ±1mm ALL DIMENSIONS ARE IN: mm</small>		DWG NO.	REVISION:	SHEET SIZE	
DRAWN	W. Rogulski	14/01/2022			SD-RB-04004	A	A4	
CHK'D	T. Colquhoun	18/10/2021						
APPV'D	H. Wallace	18/10/2021						
STATUS:					WEIGHT: 14617.4kg	DO NOT SCALE DRAWING	SCALE: 1:50	SHEET 4 of 4