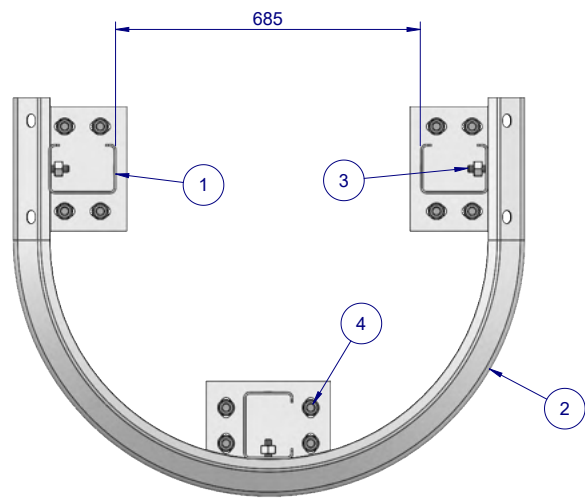
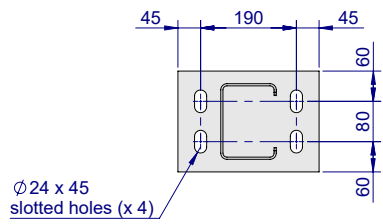


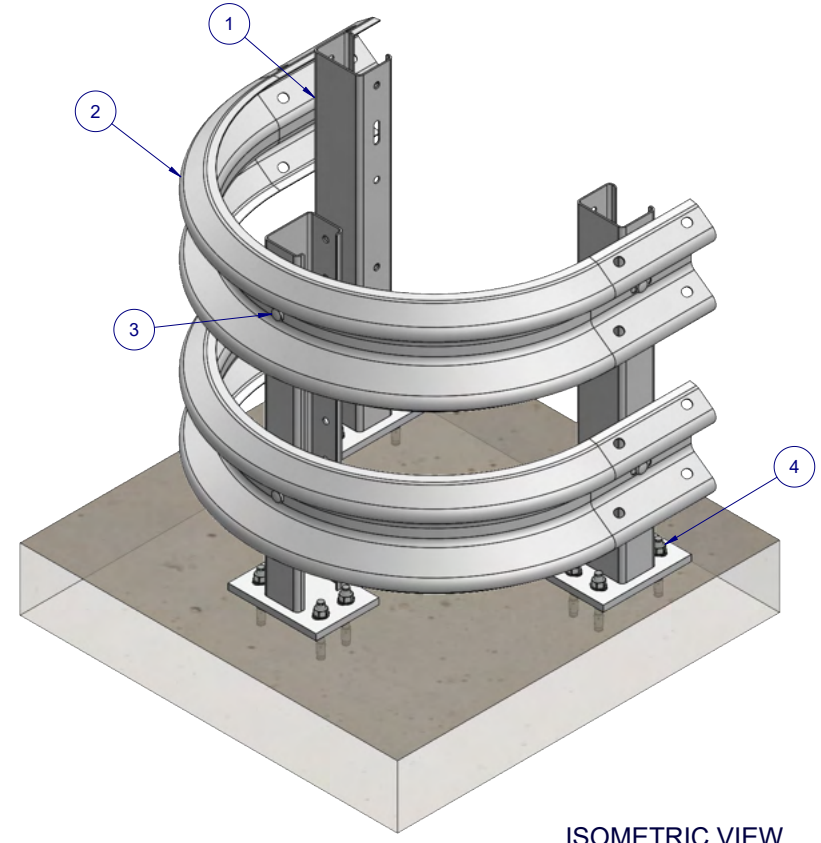
REVISIONS				
REV.	ZONE	DESCRIPTION	DATE	APPV'D
A		Original Issue	03/02/2023	HW



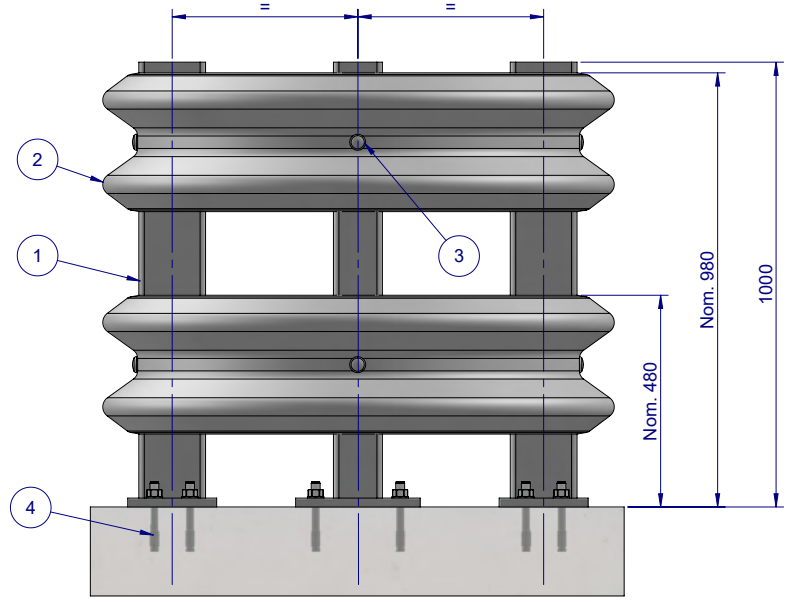
PLAN VIEW



Detail A
(Baseplate)



ISOMETRIC VIEW



ELEVATION VIEW

Item No.	Part Number	Description
1	GR-PB-CS-1000-BG	C- Post on Base Plate
2	GR-WB-CV-2000-RG	2.0m W-Beam, Curved to a Half-Ring
3	GR-FS-16-0050-MG	M16x50 Mushroom Head Post Bolt & Oversize Nut, Class 4.6
4	GR-FS-20-0160-HG	M20x160 Anchor

MATERIAL:		 SafeDirection CRASH BARRIER SOLUTIONS	TITLE: Car Park Barrier Column Guard with C-Posts Type 4		
FINISH:			General Arrangement		
STATUS	NAME	DATE	DWG NO.	REVISION:	SHEET SIZE
DRAWN	J. An	10/01/2023	SD-CP-08003	A	A4
CHK'D	T. Colquhoun	10/01/2023			
APPV'D	H. Wallace	10/01/2023			
COPYRIGHT: All rights reserved. ABN: 53 156 459 684 These drawings, plans and specifications and the copyright therein are the properties of Safe Direction Pty Ltd, and must not be used, reproduced or copied wholly or in part without written permission. U.N.O. TOLERANCES: ±1mm ALL DIMENSIONS ARE IN: mm			THIRD ANGLE PROJECTION		WEIGHT:
STATUS: APPROVED			DO NOT SCALE DRAWING	SCALE: 1:17	SHEET 1 of 1