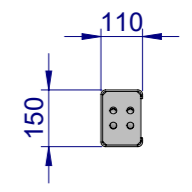
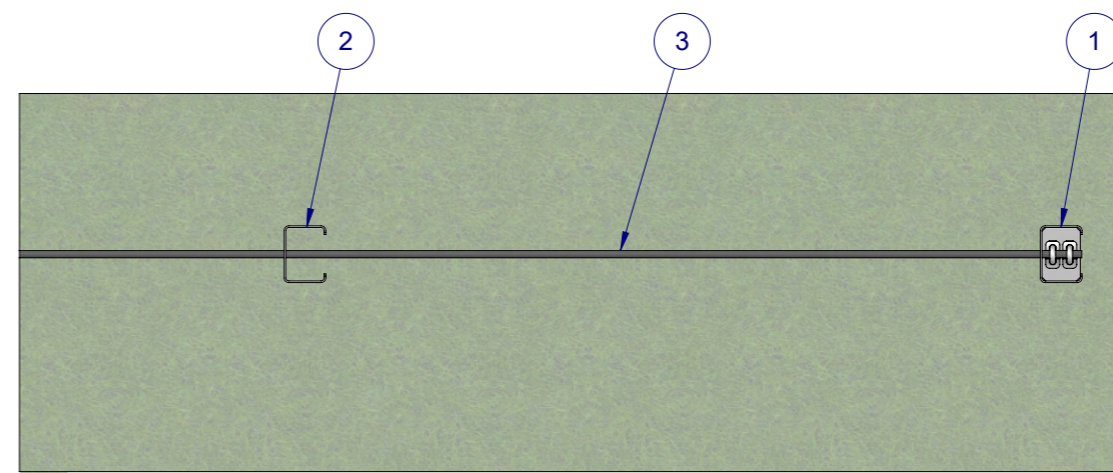
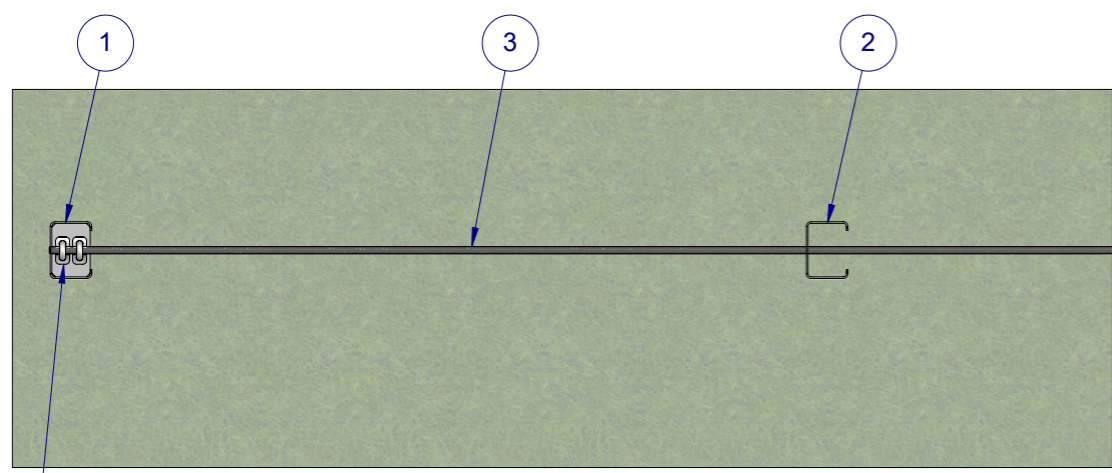


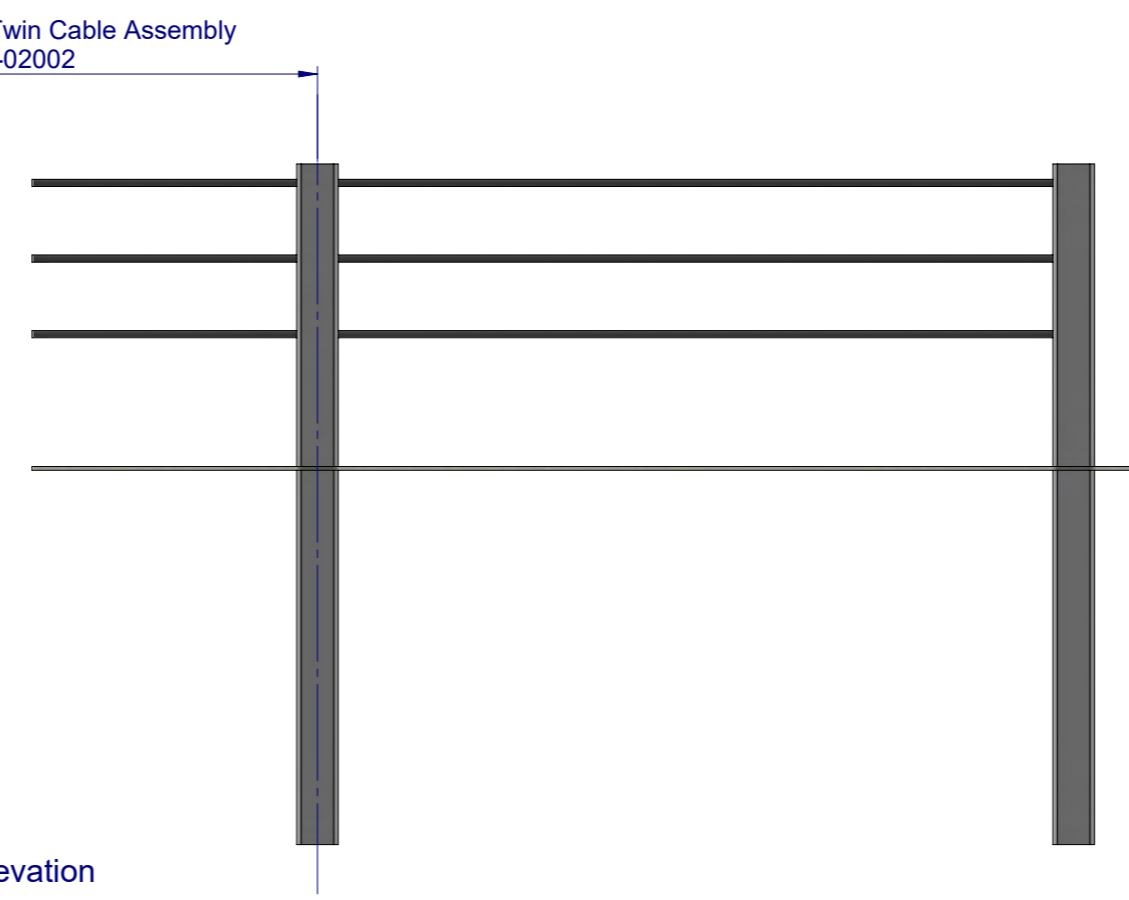
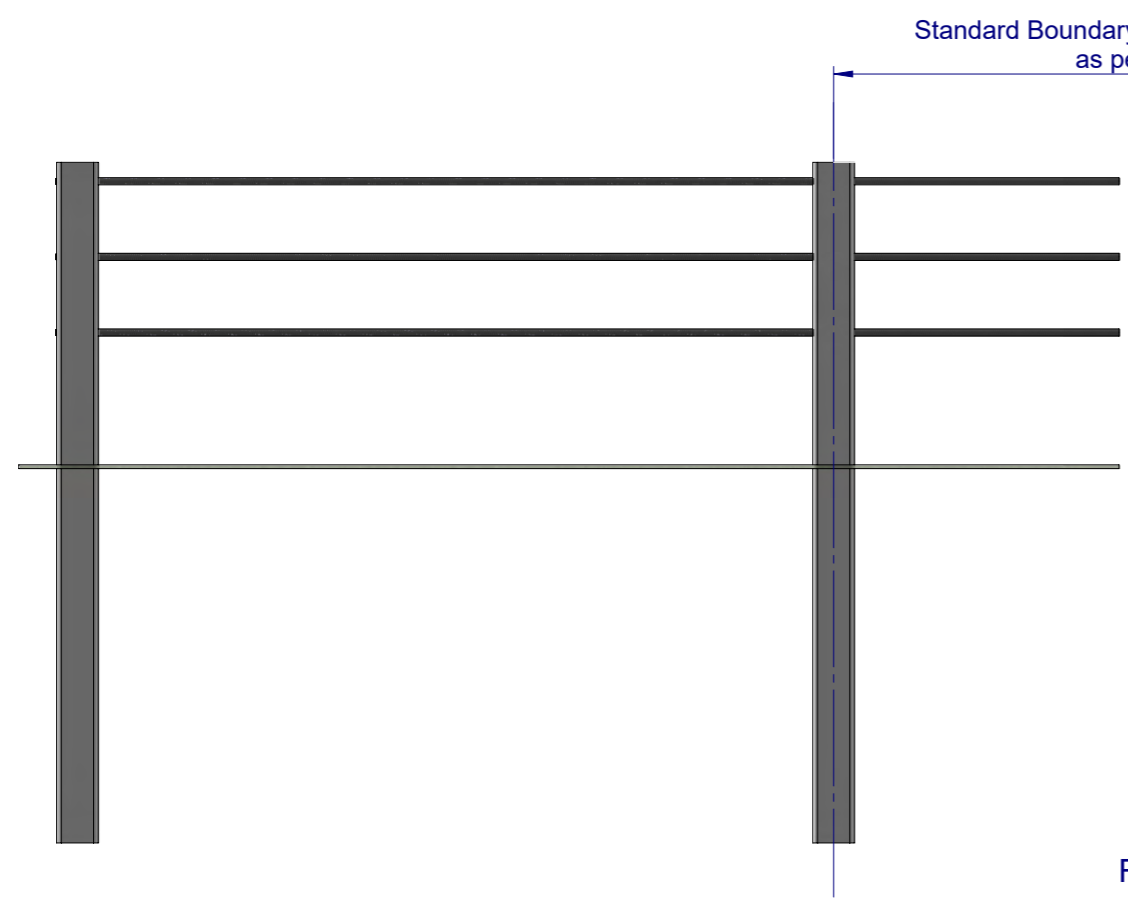
ITEM NO.	PART NUMBER	DESCRIPTION
1	GR-PG-CS-1800-FG	Boundary Fence End Post, Triple Cable
2	GR-PG-CS-1800-GG	Boundary Fence Intermediate Post, Triple Cable
3	WR-WR-19-1000-AG	Wire rope - $\phi$ 19.0mm Heavy Galvanised
4	GE-EF-MX-0026-AG	20mm Wire Rope Grip

REVISIONS				DATE	APPVD
REV.	ZONE	DESCRIPTION			

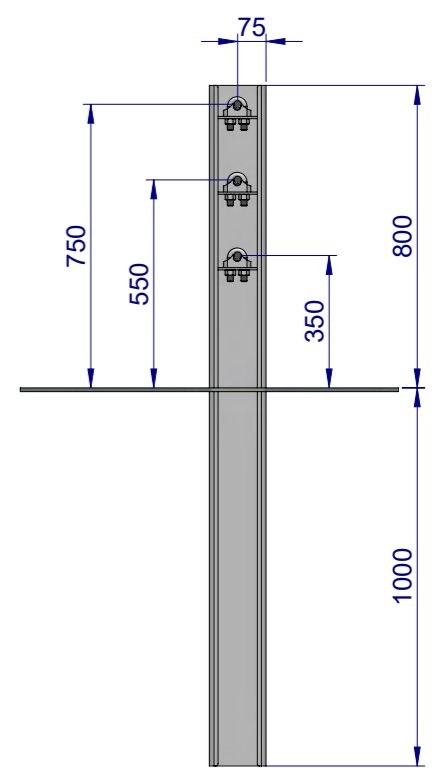


Post Plan

Plan View



Front Elevation



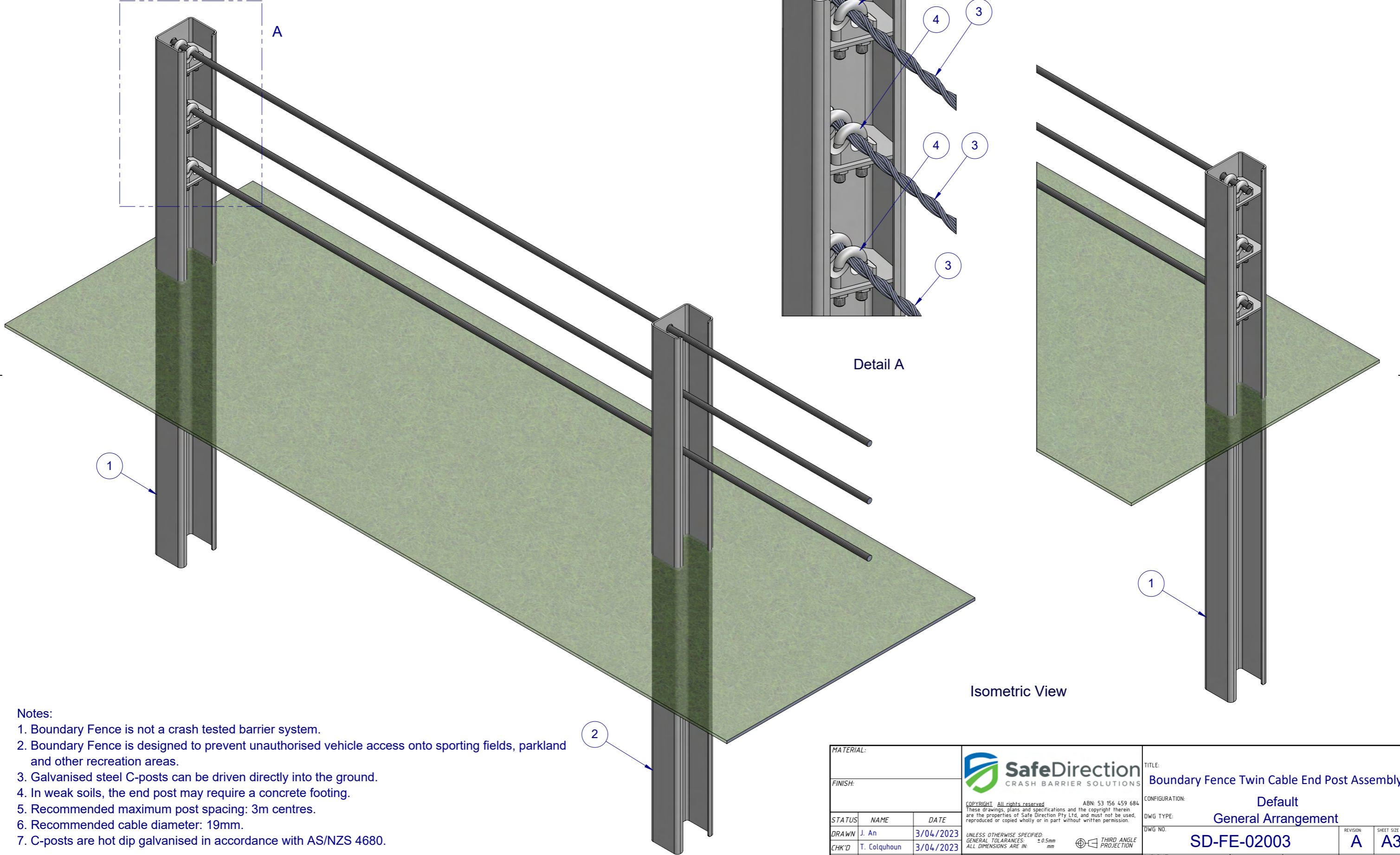
Side Elevation

- Notes:
- Boundary Fence is not a crash tested barrier system.
  - Boundary Fence is designed to prevent unauthorised vehicle access onto sporting fields, parkland and other recreation areas.
  - Galvanised steel C-posts can be driven directly into the ground.
  - In weak soils, the end post may require a concrete footing.
  - Recommended maximum post spacing: 3m centres.
  - Recommended cable diameter: 19mm.
  - C-posts are hot dip galvanised in accordance with AS/NZS 4680.

MATERIAL:		<p><b>SafeDirection</b> CRASH BARRIER SOLUTIONS</p> <p><small>COPYRIGHT: All rights reserved. ABN: 53 156 459 684. These drawings, plans and specifications and the copyright therein are the properties of Safe Direction Pty Ltd, and must not be used, reproduced or copied wholly or in part without written permission.</small></p>	TITLE: <b>Boundary Fence Triple Cable End Post Assembly</b>	
FINISH:			CONFIGURATION: <b>Default</b>	
STATUS	NAME	DATE	DWG TYPE: <b>General Arrangement</b>	
DRAWN	J. An	3/04/2023	DWG NO. <b>SD-FE-02003</b>	
CHK'D	T. Colquhoun	3/04/2023	REVISION: <b>A</b>	SHEET SIZE: <b>A3</b>
APPV'D	H. Wallace	3/04/2023	WEIGHT:	SCALE: 1:20 SHEET 1 of 2

**Approved**

ITEM NO.	PART NUMBER	DESCRIPTION
1	GR-PG-CS-1800-FG	Boundary Fence End Post, Triple Cable
2	GR-PG-CS-1800-GG	Boundary Fence Intermediate Post, Triple Cable
3	WR-WR-19-1000-AG	Wire rope - $\phi$ 19.0mm Heavy Galvanised
4	GE-EF-MX-0026-AG	20mm Wire Rope Grip



- Notes:**
- Boundary Fence is not a crash tested barrier system.
  - Boundary Fence is designed to prevent unauthorised vehicle access onto sporting fields, parkland and other recreation areas.
  - Galvanised steel C-posts can be driven directly into the ground.
  - In weak soils, the end post may require a concrete footing.
  - Recommended maximum post spacing: 3m centres.
  - Recommended cable diameter: 19mm.
  - C-posts are hot dip galvanised in accordance with AS/NZS 4680.

MATERIAL:		 <b>SafeDirection</b> CRASH BARRIER SOLUTIONS <small>COPYRIGHT All rights reserved. ABN: 53 156 459 684          These drawings, plans and specifications and the copyright therein are the properties of Safe Direction Pty Ltd, and must not be used, reproduced or copied wholly or in part without written permission.</small>	TITLE: <b>Boundary Fence Twin Cable End Post Assembly</b>	
FINISH:			CONFIGURATION: <b>Default</b>	
STATUS	NAME	DATE	DWG TYPE: <b>General Arrangement</b>	
DRAWN	J. An	3/04/2023	DWG NO.:	REVISION
CHK'D	T. Colquhoun	3/04/2023	<b>SD-FE-02003</b>	<b>A</b>
APPV'D	H. Wallace	3/04/2023	WEIGHT:	SHEET SIZE
<small>UNLESS OTHERWISE SPECIFIED:          GENERAL TOLERANCES: <math>\pm</math> 0.5mm          ALL DIMENSIONS ARE IN: mm</small>			SCALE: <b>1:20</b>	<b>A3</b>
<small>THIRD ANGLE PROJECTION</small>			<small>DO NOT SCALE DRAWING</small>	<b>2 of 2</b>

**Approved**