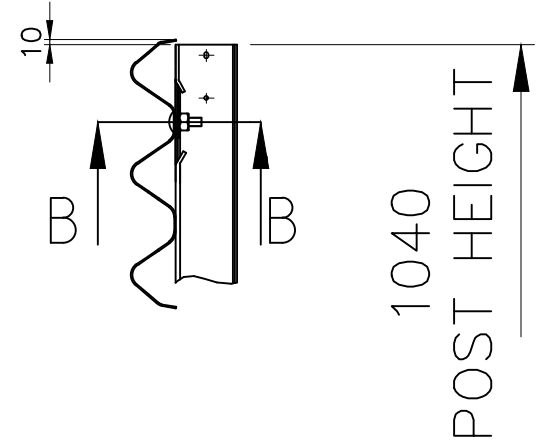
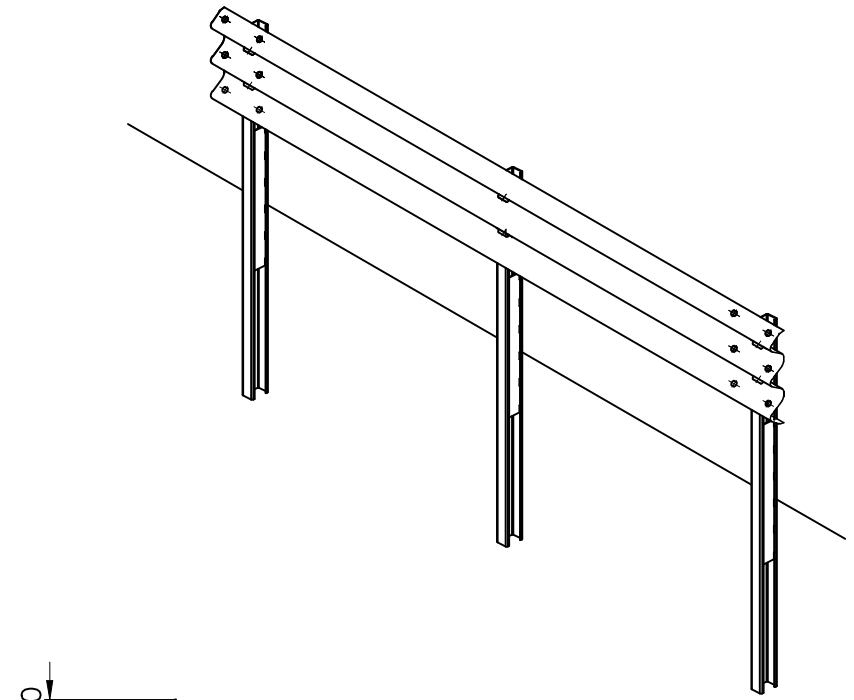
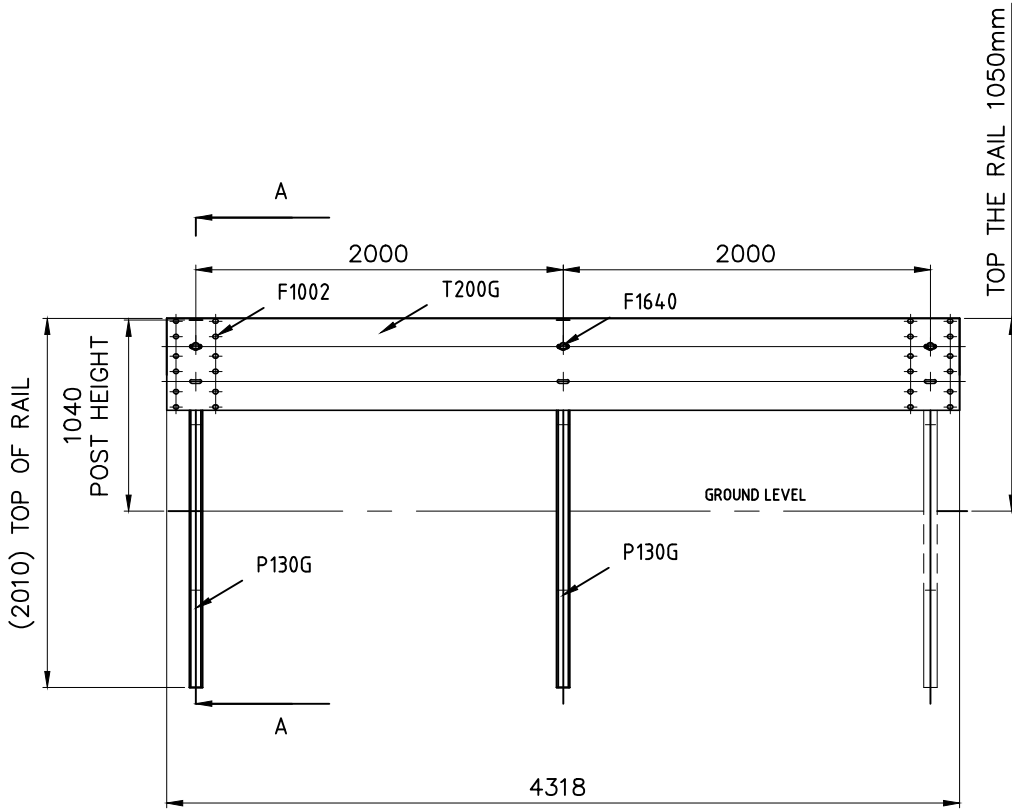
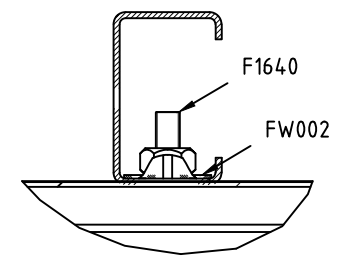


PART/DRAWING	DESCRIPTION	QTY
P130G	ACP SENTRY BARRIER TL-4 POST 2000mm LONG	2
FW002	ACP SENTRY THRIE BEAM WASHER	2
F1002	M16x32 SPLICE BOLT AND NUT FOR RAIL CONNECTION	12
F1640	M16x40 POST BOLT AND OVERSIZED NUT	2
T200G	4.0M STANDARD THRIE-BEAM	1



SECTION A-A



SECTION B-B

REV	DESCRIPTION	APPD	DATE
B	DRAWING NUMBER UPDATED	W.R.	26.05.20
A	ORIGINAL ISSUE	E.A.	4.02.20


  
**ACP**  
 AUSTRALIAN CONSTRUCTION PRODUCTS  
 Australian Construction Products Pty Ltd  
 339 Horsley Road Milperra NSW 2214  
 P.O. Box 565 Panania NSW 2213  
 Tel: +61 2 9772 4172 Fax: +61 2 9792 6272

TOLERANCES
Whole Numbers ±2
One Decimal Place :±0.05
Bend Angle : ±2
Straightness : 1.5per1500
Scale: N.T.S.

CLIENT
MATERIAL STEEL TO AS/NZS 1594
FINISH PRETREATMENT TO AS 1627 HOT DIP GALVANISE TO AS/NZS 4680

ITEM ACP SENTRY BARRIER TL-4 THRIE BEAM SYSTEM		
DRAWING NUMBER <b>GA096</b>		
DRAWN E.A.	CHECKED	APPROVED