

Product Data Sheet

ArmorGuard Gate

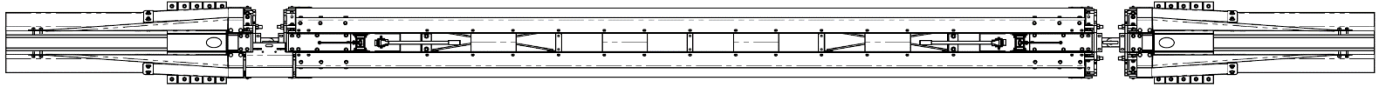
Containment Level	NCHRP 350 TL3
Impact Condition	2000 kg pick-up truck, 100km/h, 20°
Classification	Fully Re-directive
Gate Length	8 m to 64 m
Dynamic Deflection	0.6 m (8 m gate) and 1.42 m (64 m gate)
Gate Height	840 mm
Gate Width	710 mm
Gate Mass (8m gate only)	1525 kg
System Mass (8m gate with connections)	2510 kg
System Finish	Hot dip galvanized
Gate Opening Mechanism	By hand using internal jockey wheel
Gate Open/Close Time	Less than 2 minutes



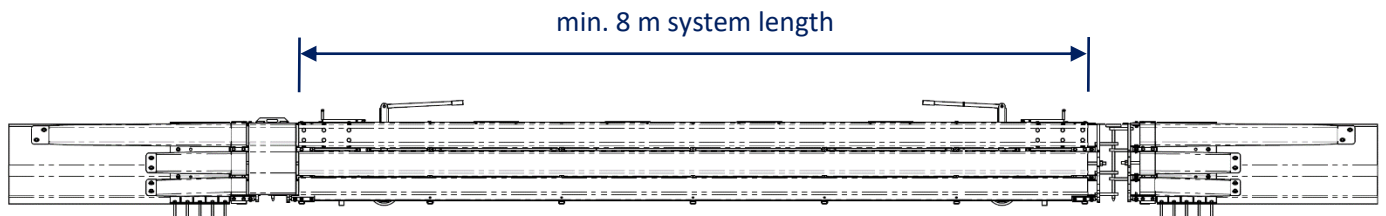
Product Data Sheet

ArmorGuard Gate

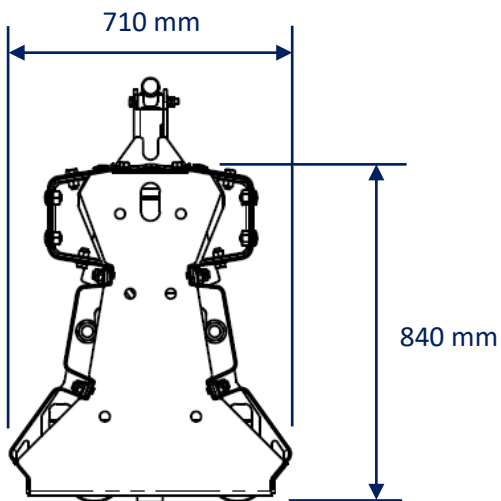
8 m ArmorGuard Gate Configuration



PLAN VIEW



FRONT VIEW



SIDE VIEW