

# Product Data Sheet

## Sentry Median W-Beam

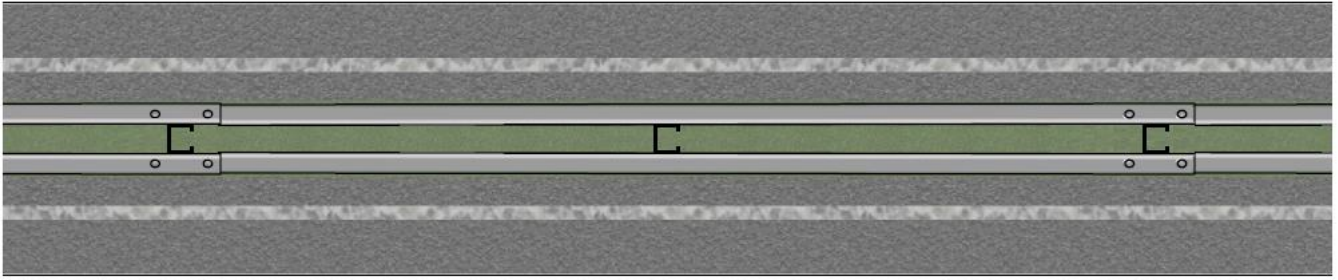
Last Updated: September 2023

Containment Level	MASH TL3
Impact Condition	2270 kg pick-up truck, 100km/h, 25°
Dynamic Deflection	1.59 m
Standard Post Spacing	2.0 m centres
System Height	800 mm
System Width	283 mm
System Mass	23.9 kg per metre
System Finish	Hot dip galvanized
Post Length	1640 mm
Post Dimensions	115 x 72 x 4.0 mm
Post Mass	13.7 kg
Installation Variants	Posts with baseplates RiderPro motorcycle barrier attachment

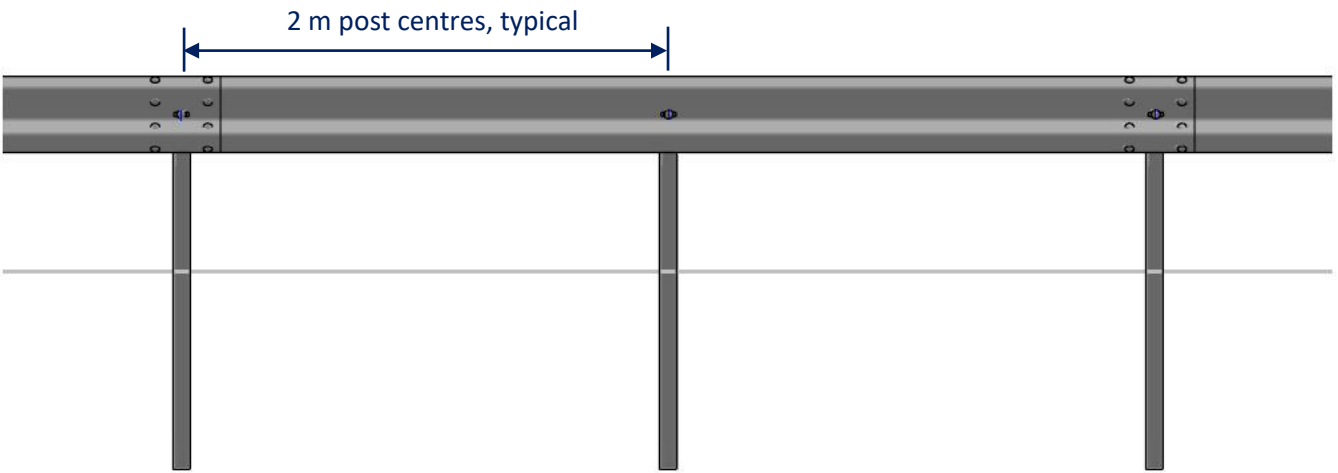


# Product Data Sheet

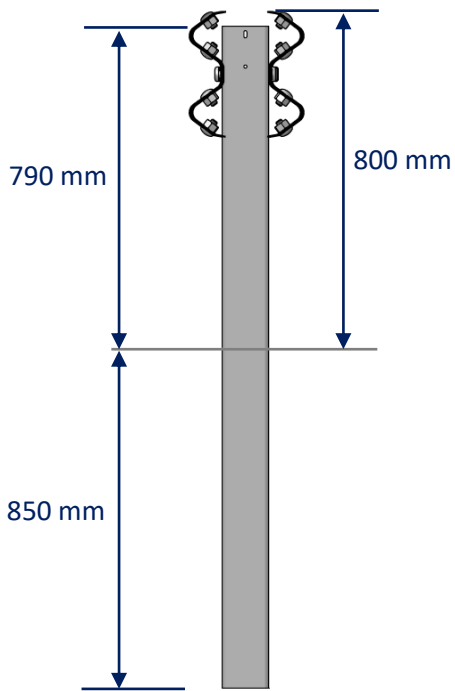
## Sentry Median W-Beam



**PLAN VIEW**



**FRONT VIEW**



**SIDE ELEVATION**