

# Product Data Sheet

## Sentry Thrie-Beam

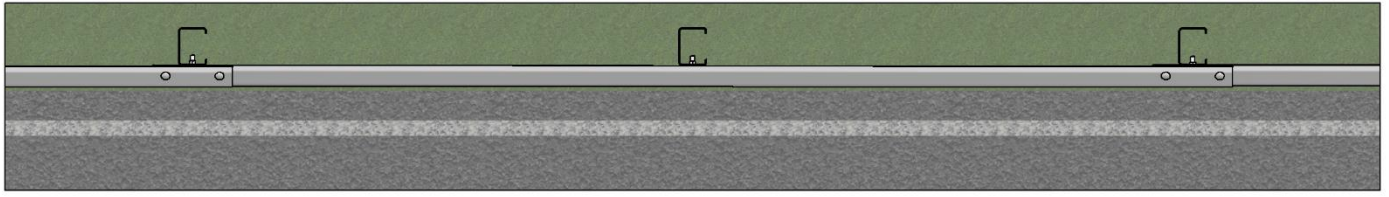
Last Updated: September 2023

Containment Level	MASH TL4
Impact Condition	10,000 kg rigid truck, 90km/h, 15°
Dynamic Deflection	1.53 m
Containment Level	MASH TL3
Impact Condition	2270 kg pick-up truck, 100km/h, 25°
Dynamic Deflection	1.45 m
Standard Post Spacing	2.0 m centres
System Height	1050 mm
System Width	200 mm
System Mass	28.3 kg per metre
System Finish	Hot dip galvanized
Post Length	2000 mm
Post Dimensions	115 x 72 x 4.0 mm
Post Mass	20.5 kg
Installation Variants	Median (back-to-back) configuration Posts with baseplates RiderPro motorcycle barrier attachment



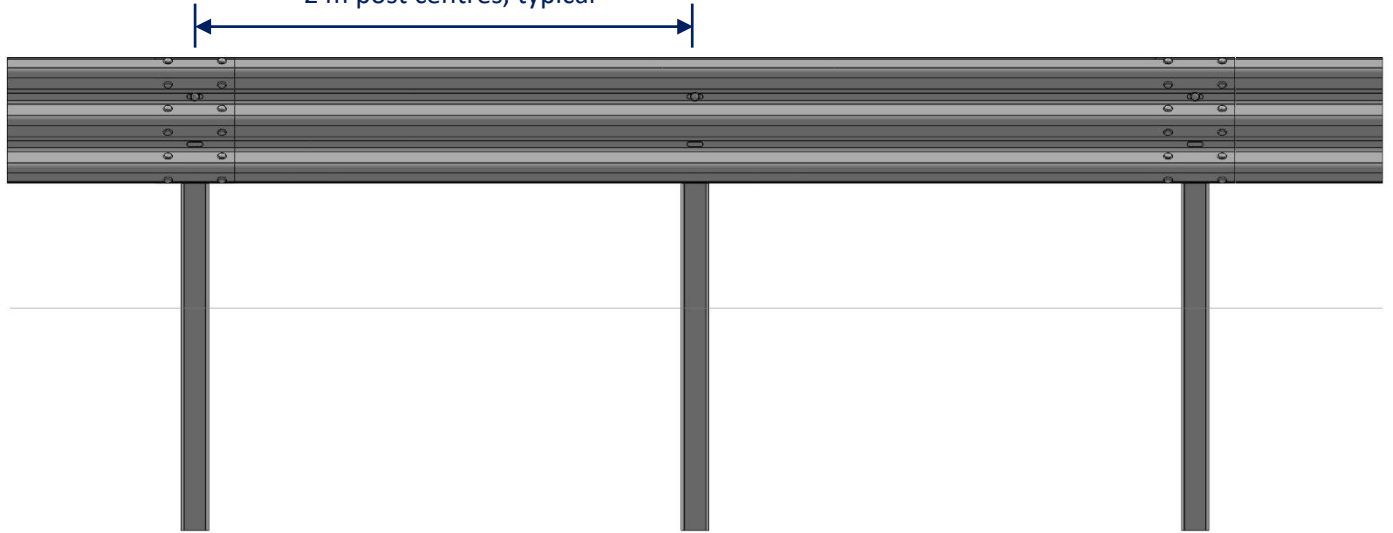
# Product Data Sheet

## Sentry Thrie-Beam

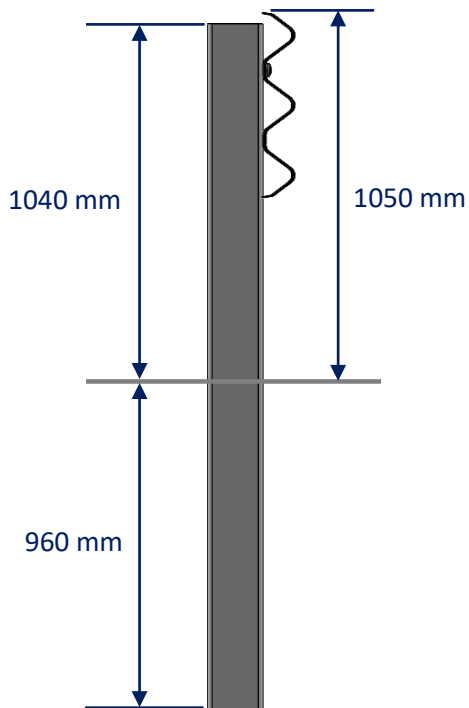


**PLAN VIEW**

2 m post centres, typical



**FRONT VIEW**



**SIDE ELEVATION**