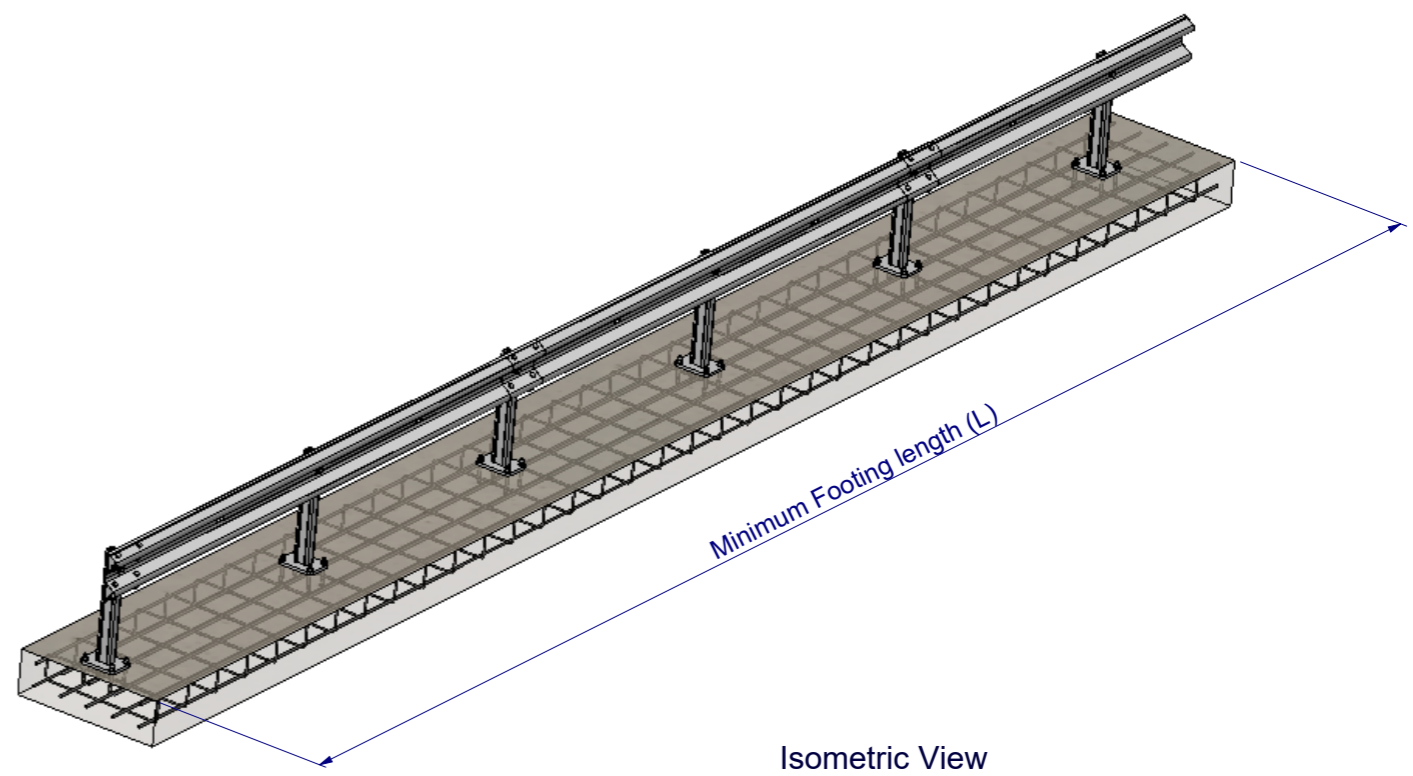
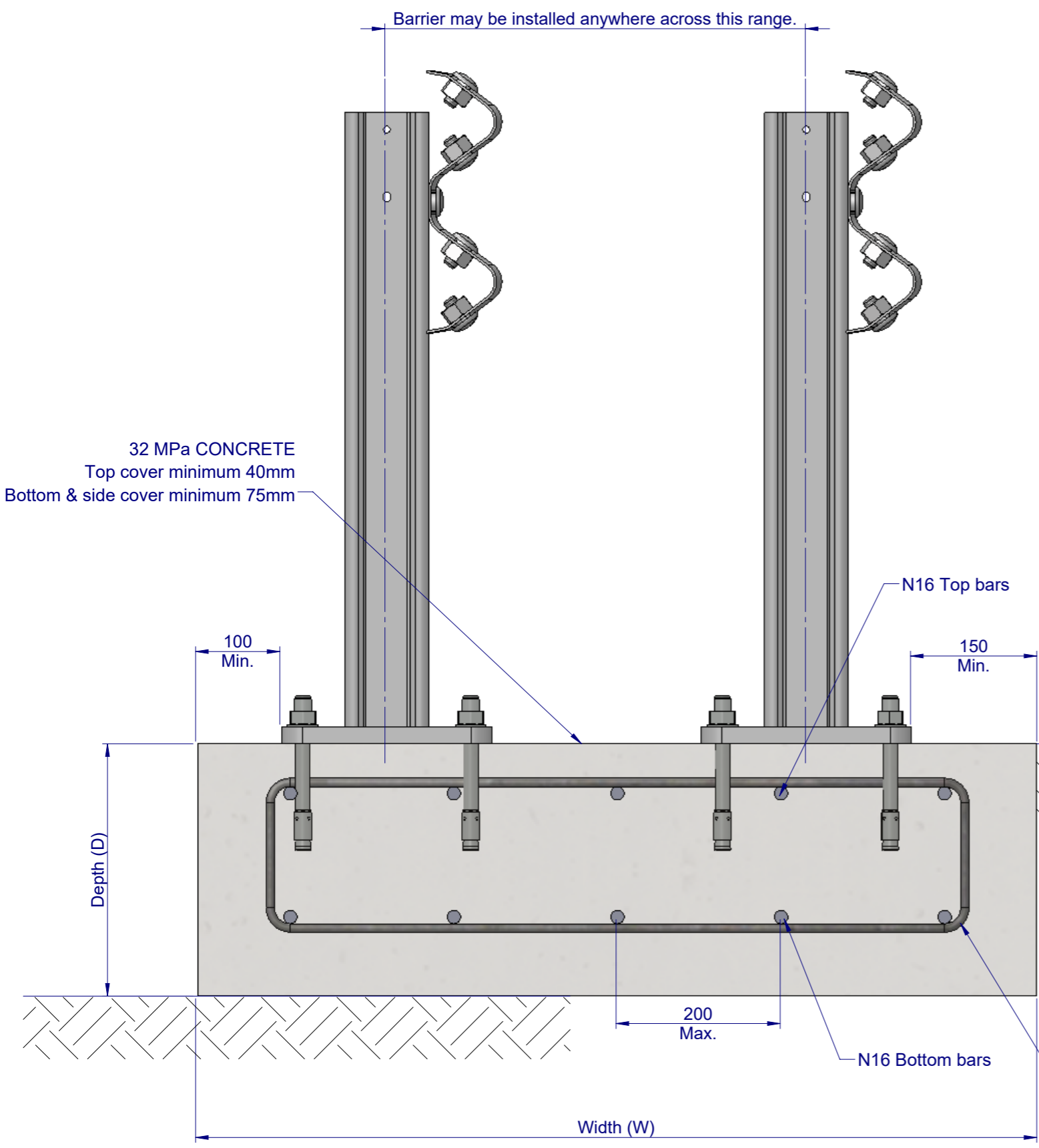


NOTES:
 1. RamShield W-Beam on Baseplate Posts to be constructed in accordance with Safe Direction assembly drawing SD-RB-01009.

REVISIONS			
REV.	DESCRIPTION	DATE	APPVD
A	Initial Issue	17/04/2023	HW
B	Revision to Footing Dimensions Table	19/12/2023	HW



Depth (D) mm	Width (W) mm	Min Length (L) m	Top Bars	Bottom Bars	Ligatures
250	1,200	10	6-N16	6-N16	R10-300 CTS
300	1,000	10	5-N16	5-N16	R10-300 CTS
400	800	12	4-N16	4-N16	R10-300 CTS
500	600	17	3-N16	3-N16	R10-300 CTS

MATERIAL:		<p>SafeDirection CRASH BARRIER SOLUTIONS</p> <p>ABN: 53 156 459 684 <small>These drawings, plans and specifications and the copyright therein are the properties of Safe Direction Pty Ltd, and must not be used, reproduced or copied wholly or in part without written permission.</small></p>	TITLE: RamShield W-Beam, Concrete Footing for Baseplate Posts	
FINISH:			DWG TYPE: General Arrangement	
STATUS	NAME	DATE	DWG NO.:	
DRAWN	J. An	17/04/2023	SD-RB-01033	
CHK'D	T. Colquhoun	17/04/2023	REVISION:	SHEET SIZE:
APPV'D	H. Wallace	17/04/2023	B	A3
<small>UNLESS OTHERWISE SPECIFIED: GENERAL TOLERANCES: ±0.5mm ALL DIMENSIONS ARE IN: mm</small>			THIRD ANGLE PROJECTION	
<small>DO NOT SCALE DRAWING</small>			SCALE: 1:5	SHEET 1 of 1

Side Elevation