

Product Data Sheet



RamShield® HC

Updated: January 2026



SafeDirection
CRASH BARRIER SOLUTIONS

Crash Test Evaluation

Barrier Configuration	Vehicle Type	Vehicle Mass	Impact Speed	Impact Angle	Impact Energy	Dynamic Deflection
Posts at 2m Centres		2270 kilograms	100 km/h	25 degrees	156.4 kilojoules	1.0 metres
Posts at 2m Centres		10,000 kilograms	90 km/h	15 degrees	209.3 kilojoules	1.1 metres

Installation

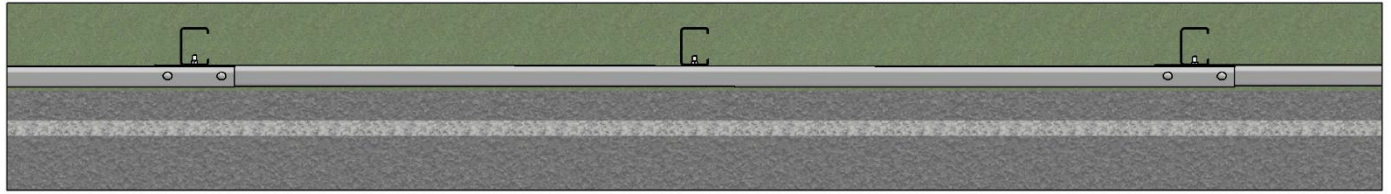
Post Type	Standard Post Spacing	Post Embedment	Beam Type	System Height
Driven Post	2.0 m	890 mm	Thrie-Beam	1000 mm



Product Data Sheet

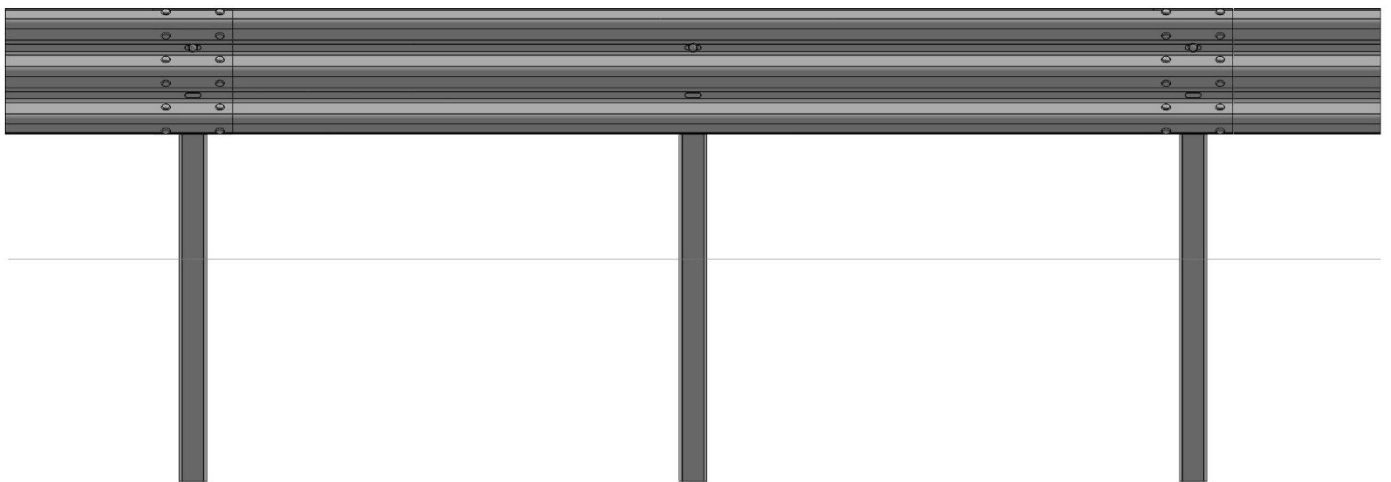
RamShield® HC

Updated: January 2026

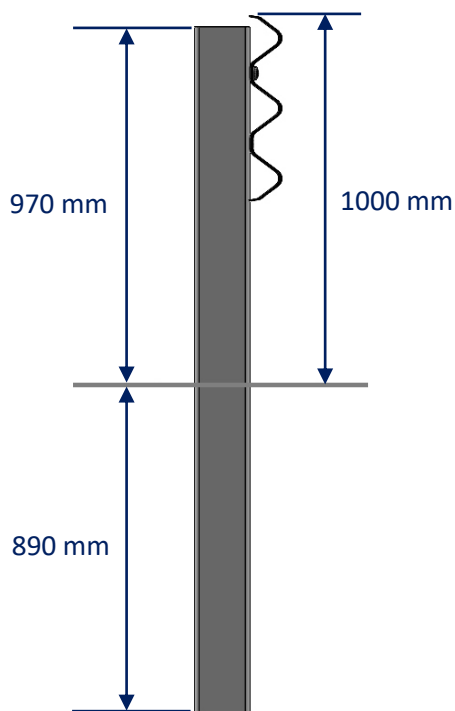


PLAN VIEW

2 m post centres, typical



FRONT VIEW



SIDE ELEVATION