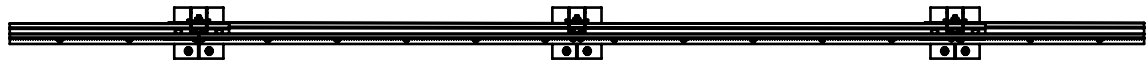


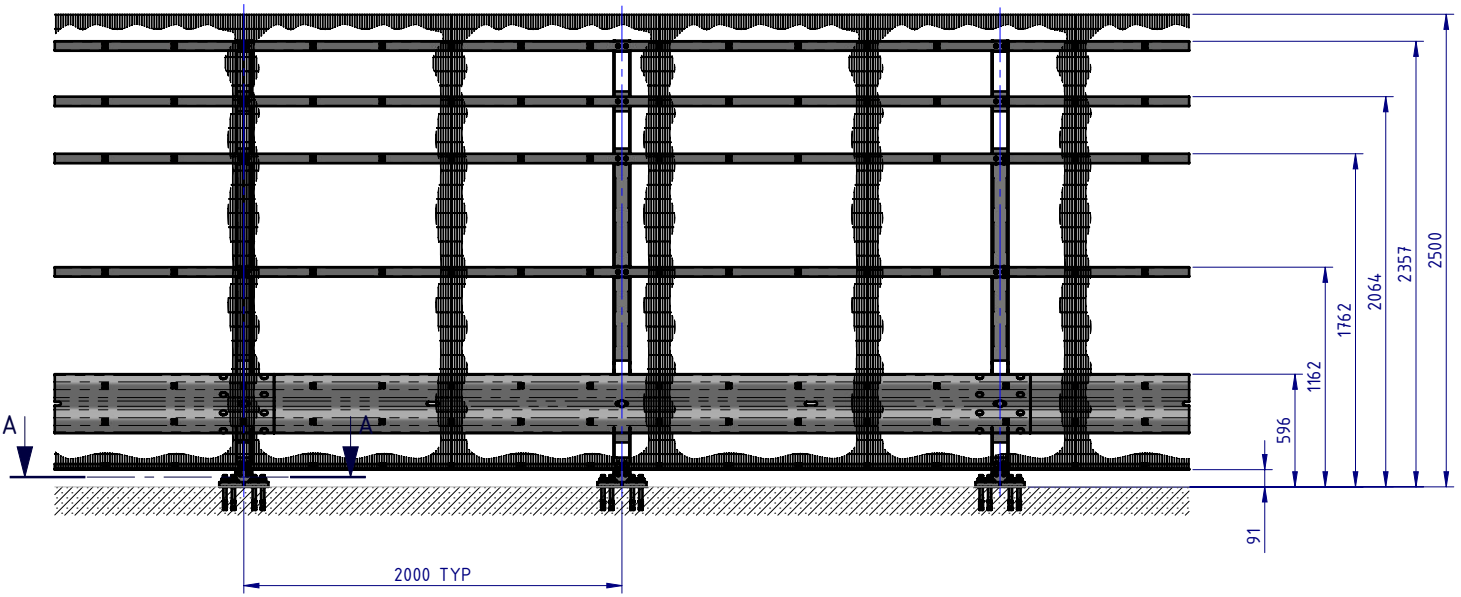
Crash Test Performance				
Vehicle Type	Impact Speed	Impact Height	Impact Energy	Barrier Configuration
2000 kg	16 km/h	0.5 m	20.5 kJ	6 m w-beam supported by four (4) posts at 2.0 m centres positioned on the outside edge of a 150 mm thick elevated concrete slab.
2000 kg	23 km/h	0.5 m	39.7 kJ	4 m w-beam supported by five (5) posts at 1.0 m centres positioned on the outside edge of a 150 mm thick elevated concrete slab.

REVISIONS				
REV.	ZONE	DESCRIPTION	DATE	APPV'D
A		Original Issue	15/03/2022	HW
B		Performance & Installation Req. tables added	23/02/2026	HW

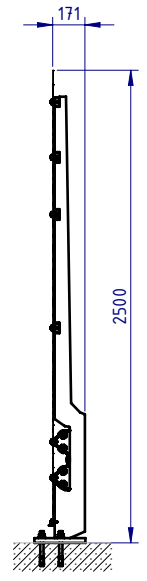
Installation Requirements				
Anchor Type	Drill Depth	Torque	Anchors per Post	Minimum Concrete Slab Thickness (t)
M20 Fischer FBN II	115 mm	200 Nm	4 off	150 mm



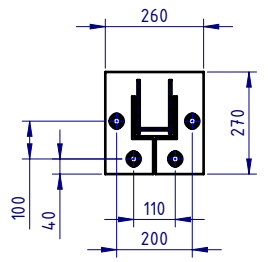
PLAN VIEW




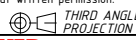
FRONT ELEVATION



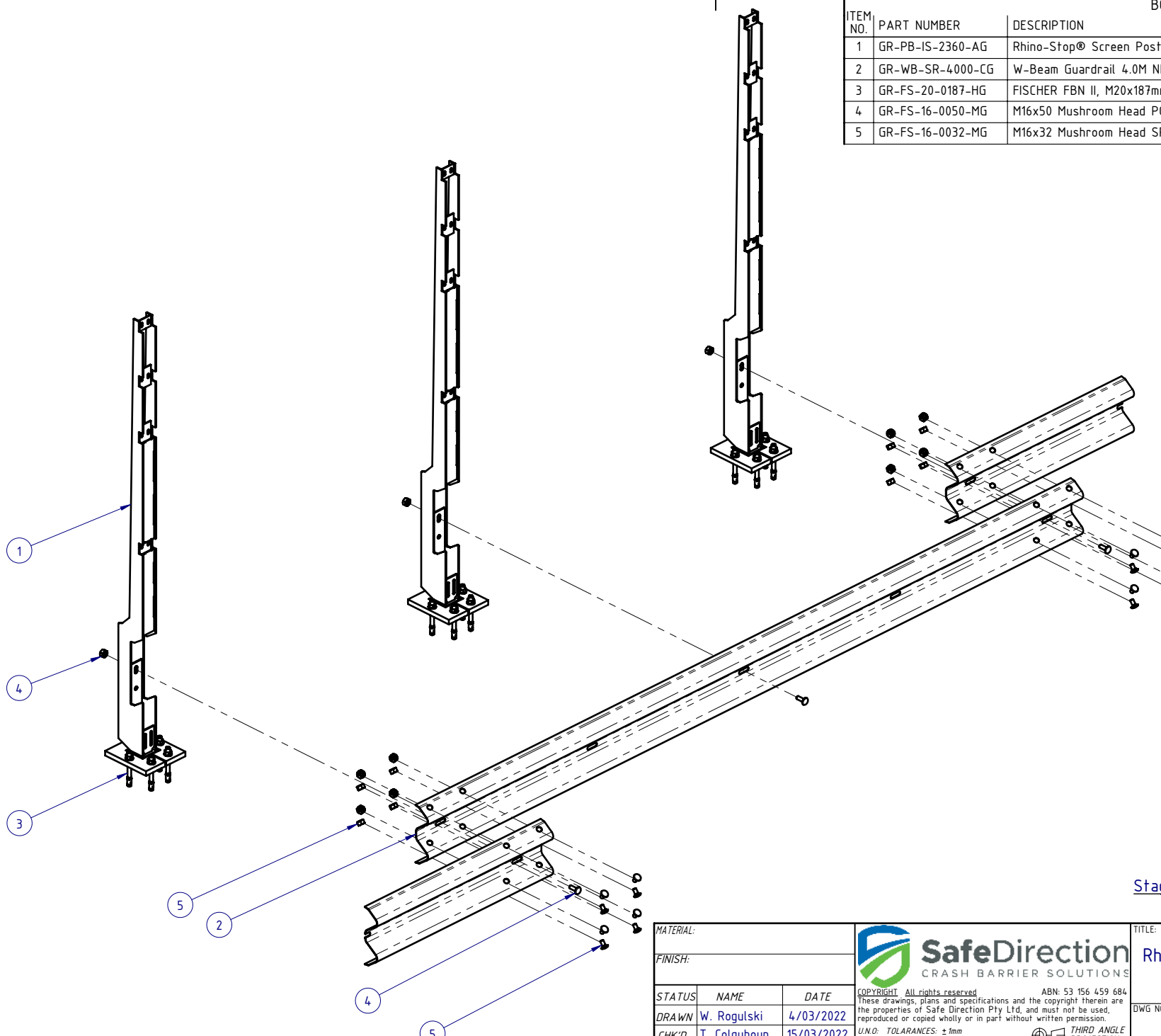
SIDE ELEVATION




SECTION A-A  
Base Plate Detail  
SCALE 1:20

MATERIAL:			 <b>SafeDirection</b> CRASH BARRIER SOLUTIONS		TITLE: Carpark Barriers - Rhino-Stop® Screen RhinoStop® Screen Type 5, 2500mm High				
FINISH:					General Arrangement				
STATUS	NAME	DATE	<small>COPYRIGHT. All rights reserved. ABN: 53 156 459 684</small> <small>These drawings, plans and specifications and the copyright therein are the properties of Safe Direction Pty Ltd, and must not be used, reproduced or copied wholly or in part without written permission.</small> <small>U.N.O. TOLERANCES: ±1mm</small> <small>ALL DIMENSIONS ARE IN: mm</small>			DWG NO.	REVISION:	SHEET SIZE	
DRAWN	W. Rogulski	4/03/2022				 THIRD ANGLE PROJECTION	SD-CP-06005	B	A4
CHK'D	T. Colquhoun	15/03/2022							
APPV'D	H. Wallace	15/03/2022				STATUS: <b>APPROVED</b>	WEIGHT: 263.9kg	<small>DO NOT SCALE DRAWING</small>	SCALE: 1:40

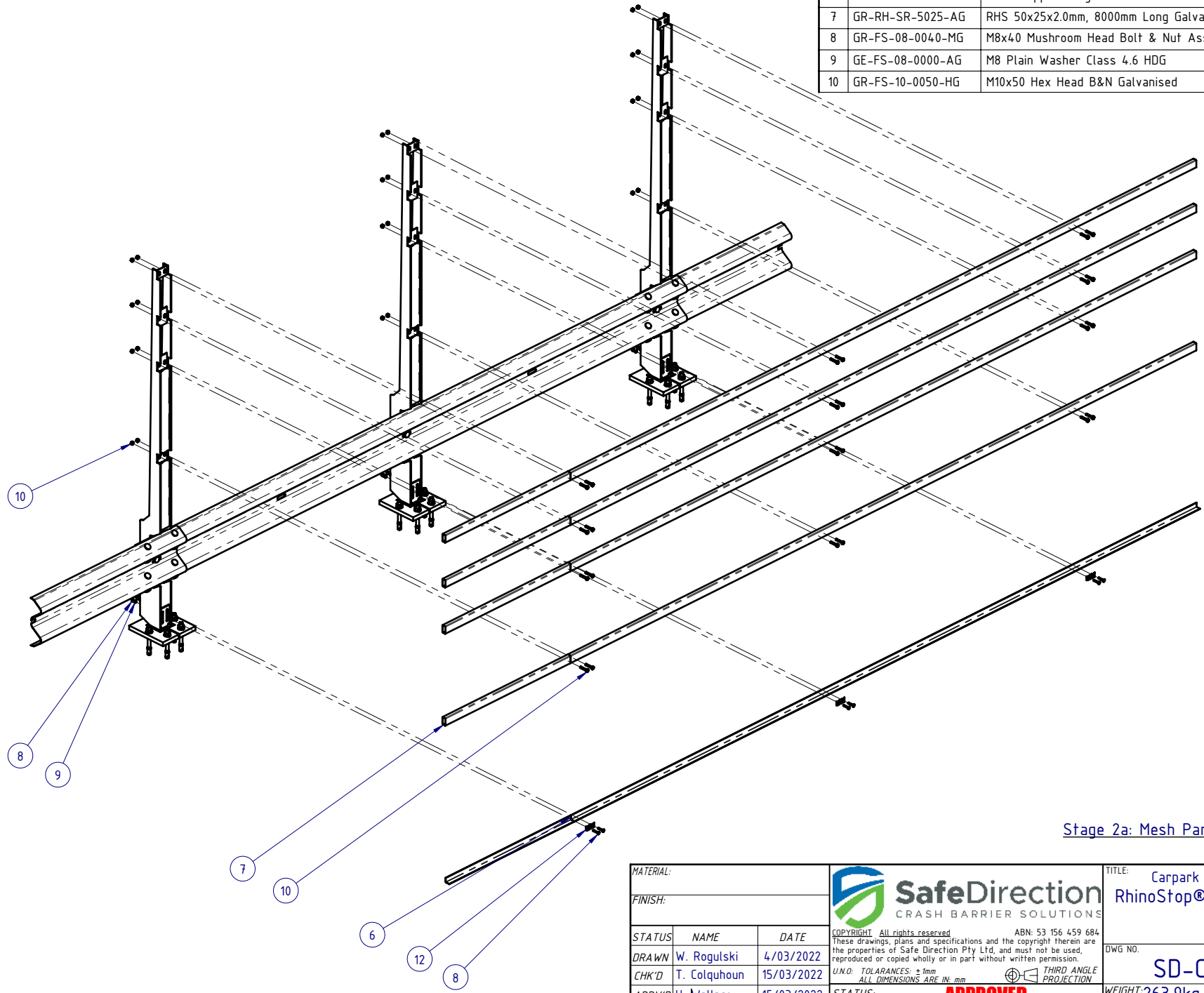
BOM			
ITEM NO.	PART NUMBER	DESCRIPTION	Weight kg
1	GR-PB-IS-2360-AG	Rhino-Stop® Screen Post 2360mm high	35.2
2	GR-WB-SR-4000-CG	W-Beam Guardrail 4.0M NLL, 1.0M CTRS	43.3
3	GR-FS-20-0187-HG	FISCHER FBN II, M20x187mm	0.5
4	GR-FS-16-0050-MG	M16x50 Mushroom Head POST Bolt & Oversize Nut Assy Class 4.6	0.2
5	GR-FS-16-0032-MG	M16x32 Mushroom Head SPLICE Bolt & Oversize Nut Assy CL8.8	0.2




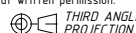

Stage 1: Post and Rail Assembly

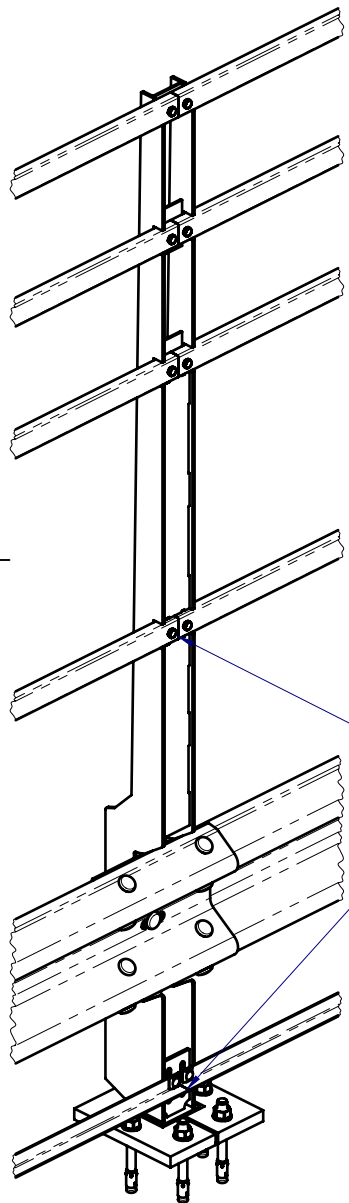
MATERIAL:			 <b>SafeDirection</b> CRASH BARRIER SOLUTIONS		TITLE: Carpark Barriers - Rhino-Stop® Screen RhinoStop® Screen Type 5, 2500mm High				
FINISH:					General Arrangement				
STATUS	NAME	DATE	<small>COPYRIGHT: All rights reserved. ABN: 53 156 459 684</small> <small>These drawings, plans and specifications and the copyright therein are the properties of Safe Direction Pty Ltd, and must not be used, reproduced or copied wholly or in part without written permission.</small> <small>U.N.O. TOLERANCES: ±1mm</small> <small>ALL DIMENSIONS ARE IN: mm</small>			DWG NO.	REVISION:	SHEET SIZE	
DRAWN	W. Rogulski	4/03/2022				SD-CP-06005		B	A4
CHK'D	T. Colquhoun	15/03/2022				WEIGHT: 263.9kg		SCALE: 1:25	SHEET 2 of 7
APPV'D	H. Wallace	15/03/2022				<small>DO NOT SCALE DRAWING</small>			
STATUS: <b>APPROVED</b>			<small>THIRD ANGLE PROJECTION</small>						

BOM			Weight kg
ITEM NO.	PART NUMBER	DESCRIPTION	
6	GR-EA-30-6000-BG	Mesh Support Angle	6.6
7	GR-RH-SR-5025-AG	RHS 50x25x2.0mm, 8000mm Long Galvanised AS1163-C350	17.2
8	GR-FS-08-0040-MG	M8x40 Mushroom Head Bolt & Nut Assy Class 4.6 HDG	0.0
9	GE-FS-08-0000-AG	M8 Plain Washer Class 4.6 HDG	
10	GR-FS-10-0050-HG	M10x50 Hex Head B&N Galvanised	0.0



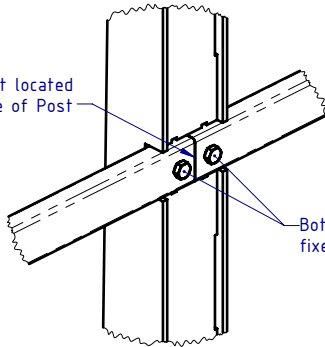
Stage 2a: Mesh Panel Support Elements Assembly

MATERIAL:			 <b>SafeDirection</b> CRASH BARRIER SOLUTIONS		TITLE: Carpark Barriers - Rhino-Stop® Screen RhinoStop® Screen Type 5, 2500mm High			
FINISH:					General Arrangement			
STATUS	NAME	DATE	COPYRIGHT: All rights reserved. ABN: 53 156 459 684 These drawings, plans and specifications and the copyright therein are the properties of Safe Direction Pty Ltd, and must not be used, reproduced or copied wholly or in part without written permission.		DWG NO.	REVISION:	SHEET SIZE	
DRAWN	W. Rogulski	4/03/2022	U.N.O. TOLERANCES: ±1mm ALL DIMENSIONS ARE IN: mm		 THIRD ANGLE PROJECTION	<b>SD-CP-06005</b>	<b>B A4</b>	
CHK'D	T. Colquhoun	15/03/2022						
APPV'D	H. Wallace	15/03/2022						
STATUS:			 <b>APPROVED</b>		WEIGHT: 263.9kg	DO NOT SCALE DRAWING	SCALE: 1:30	SHEET 3 of 7



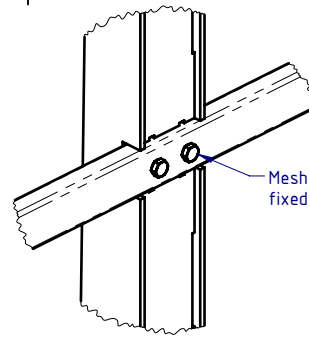
DETAIL B  
SCALE 1:15

RHS butt-joint located at centre of Post



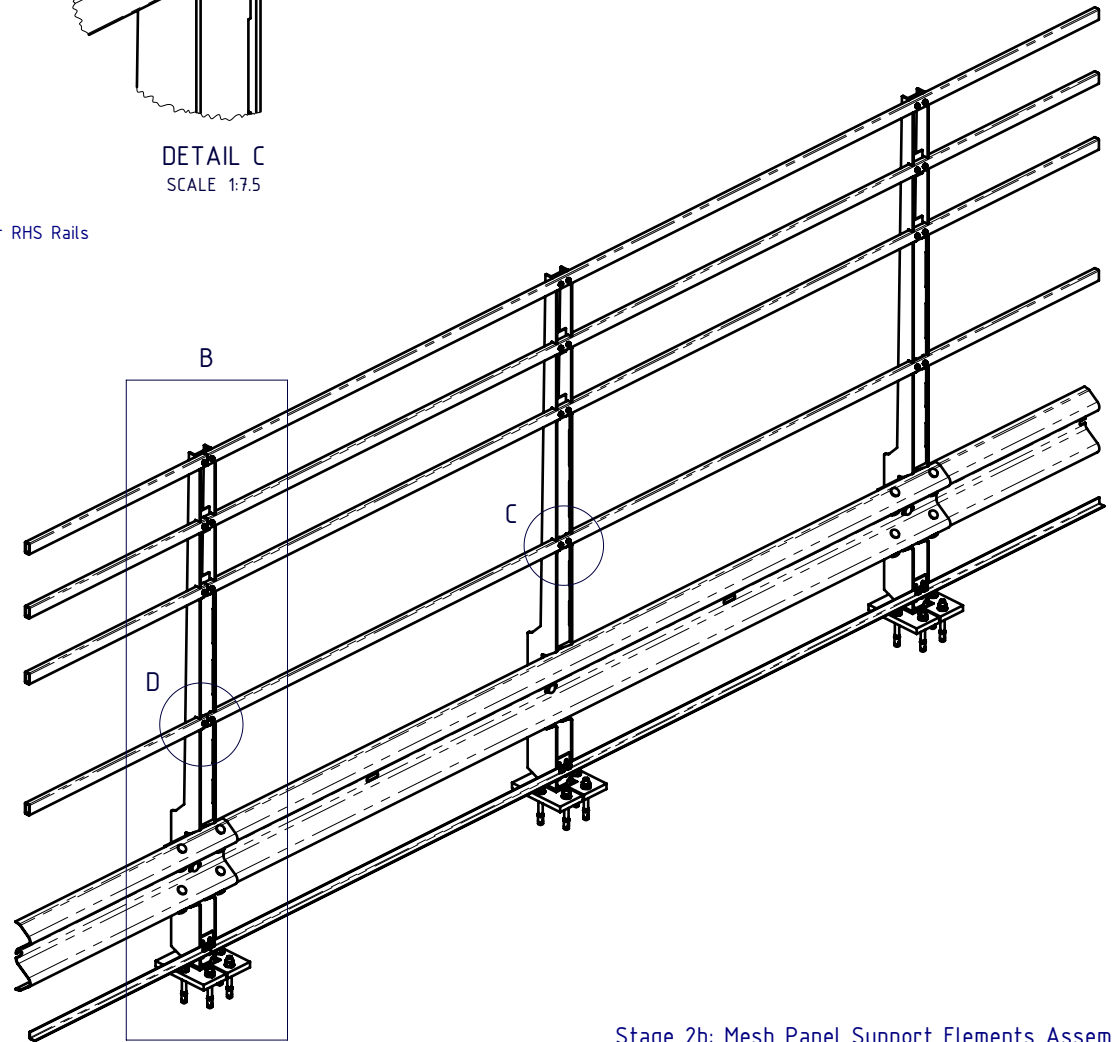
DETAIL D  
SCALE 1:7.5

Both Mesh Support RHS Rails fixed to Post




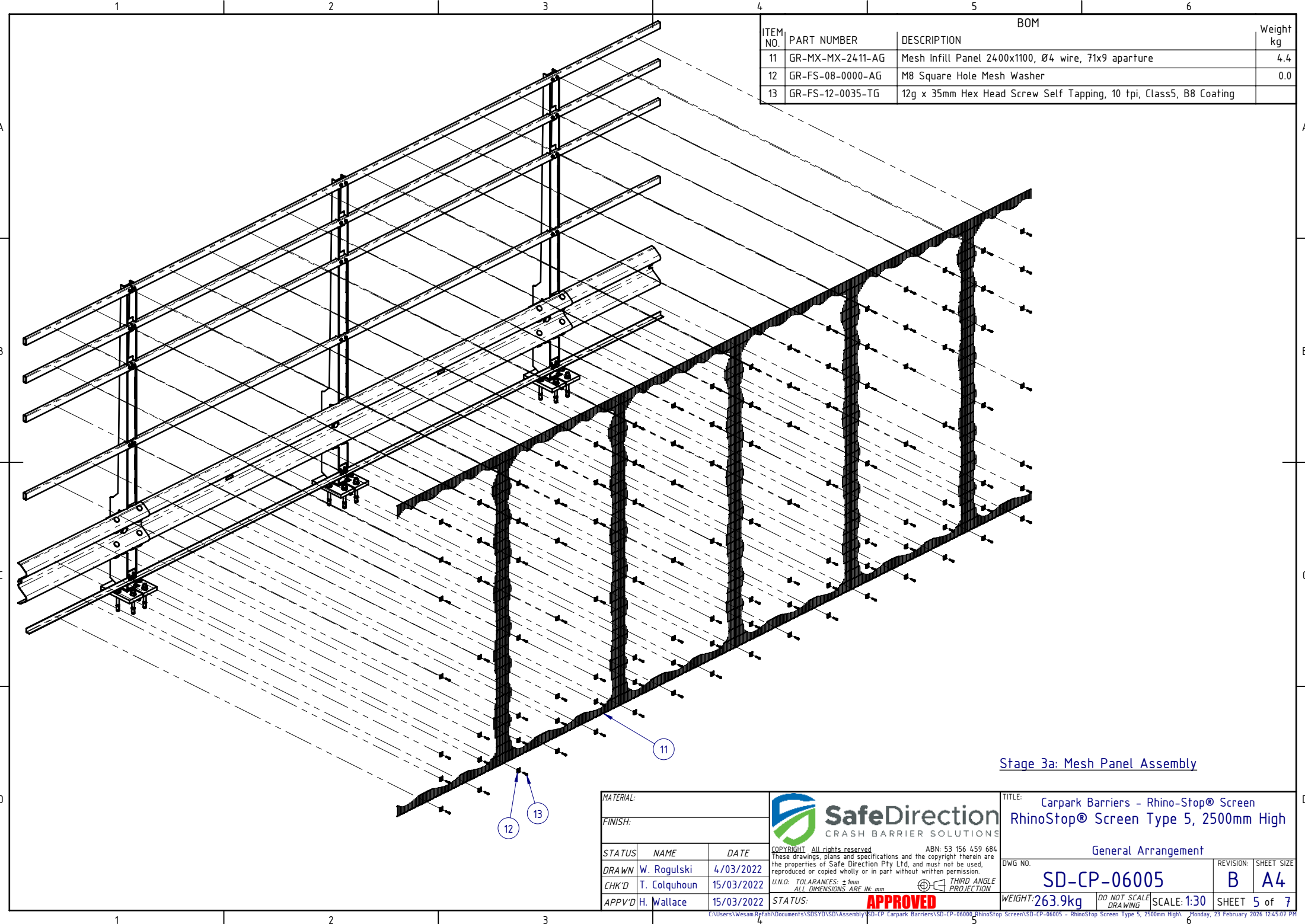
DETAIL C  
SCALE 1:7.5

Mesh Support RHS Rail fixed with 2 bolts.




Stage 2b: Mesh Panel Support Elements Assembly

MATERIAL:			 <b>SafeDirection</b> CRASH BARRIER SOLUTIONS		TITLE: Carpark Barriers - Rhino-Stop® Screen RhinoStop® Screen Type 5, 2500mm High							
FINISH:					General Arrangement							
STATUS	NAME	DATE	<small>COPYRIGHT: All rights reserved. ABN: 53 156 459 684</small> <small>These drawings, plans and specifications and the copyright therein are the properties of Safe Direction Pty Ltd, and must not be used, reproduced or copied wholly or in part without written permission.</small>			DWG NO.	REVISION:	SHEET SIZE				
DRAWN	W. Rogulski	4/03/2022	<small>U.N.O. TOLERANCES: ±1mm</small> <small>ALL DIMENSIONS ARE IN: mm</small>			SD-CP-06005		B	A4			
CHK'D	T. Colquhoun	15/03/2022				<small>THIRD ANGLE PROJECTION</small>			WEIGHT: 263.9kg	DO NOT SCALE DRAWING	SCALE: 1:30	SHEET 4 of 7
APPV'D	H. Wallace	15/03/2022				<b>APPROVED</b>						

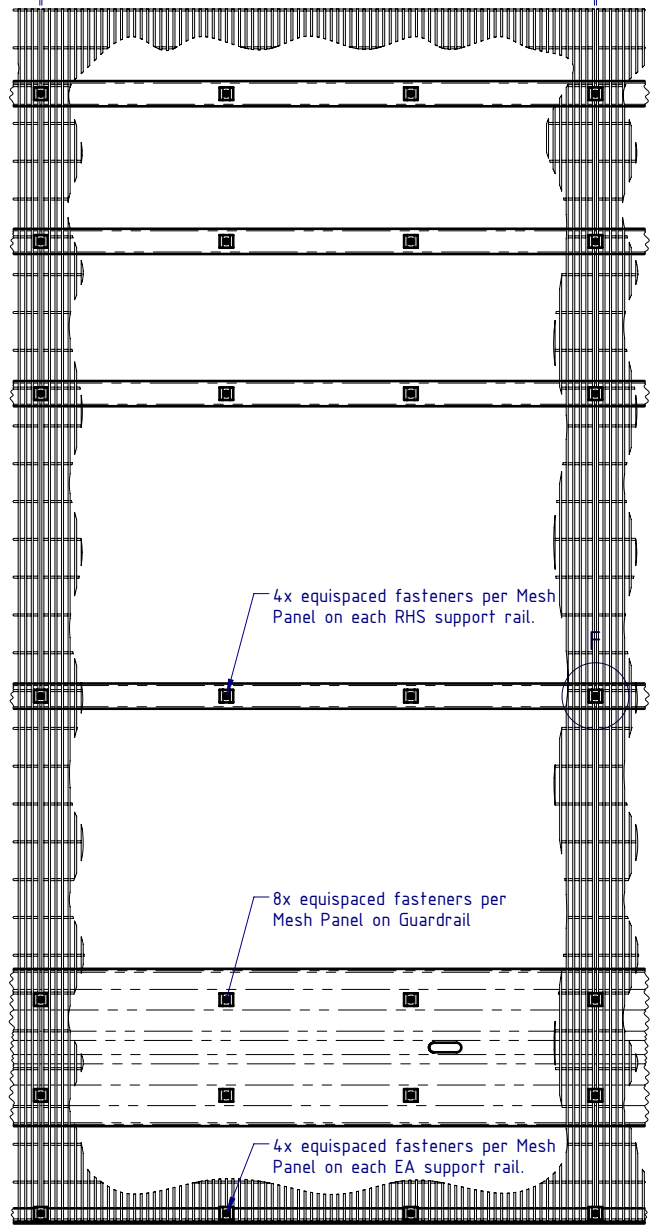


BOM			Weight kg
ITEM NO.	PART NUMBER	DESCRIPTION	
11	GR-MX-MX-2411-AG	Mesh Infill Panel 2400x1100, Ø4 wire, 71x9 aparture	4.4
12	GR-FS-08-0000-AG	M8 Square Hole Mesh Washer	0.0
13	GR-FS-12-0035-TG	12g x 35mm Hex Head Screw Self Tapping, 10 tpi, Class5, B8 Coating	

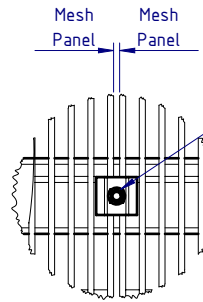
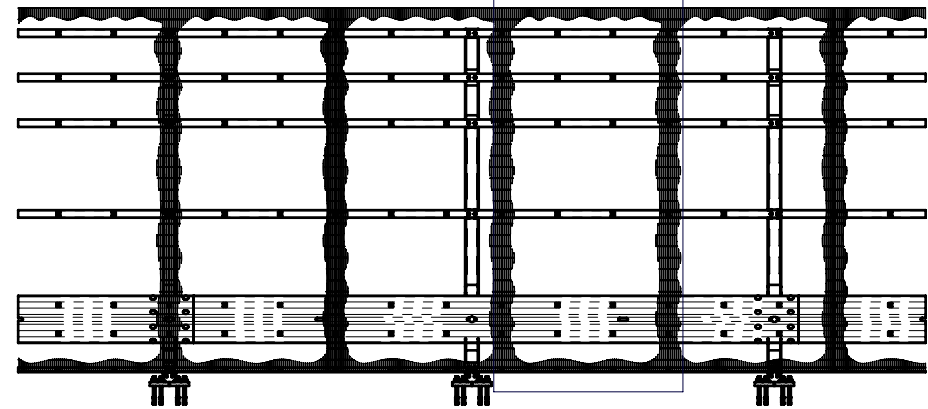
Stage 3a: Mesh Panel Assembly

MATERIAL:			 <b>SafeDirection</b> CRASH BARRIER SOLUTIONS		TITLE: Carpark Barriers - Rhino-Stop® Screen RhinoStop® Screen Type 5, 2500mm High		
FINISH:					General Arrangement		
STATUS    NAME    DATE DRAWN    W. Rogulski    4/03/2022 CHK'D    T. Colquhoun    15/03/2022 APPV'D    H. Wallace    15/03/2022			COPYRIGHT: All rights reserved    ABN: 53 156 459 684 These drawings, plans and specifications and the copyright therein are the properties of Safe Direction Pty Ltd, and must not be used, reproduced or copied wholly or in part without written permission. U.N.O: TOLERANCES: ±1mm ALL DIMENSIONS ARE IN: mm		DWG NO: <b>SD-CP-06005</b> REVISION: <b>B</b> SHEET SIZE: <b>A4</b>		
STATUS: <b>APPROVED</b>			WEIGHT: <b>263.9kg</b>		DO NOT SCALE DRAWING    SCALE: <b>1:30</b> SHEET <b>5</b> of <b>7</b>		

Mesh Panel      Mesh Panel      Mesh Panel



DETAIL E  
SCALE 1:15




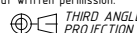
DETAIL F  
SCALE 1:5

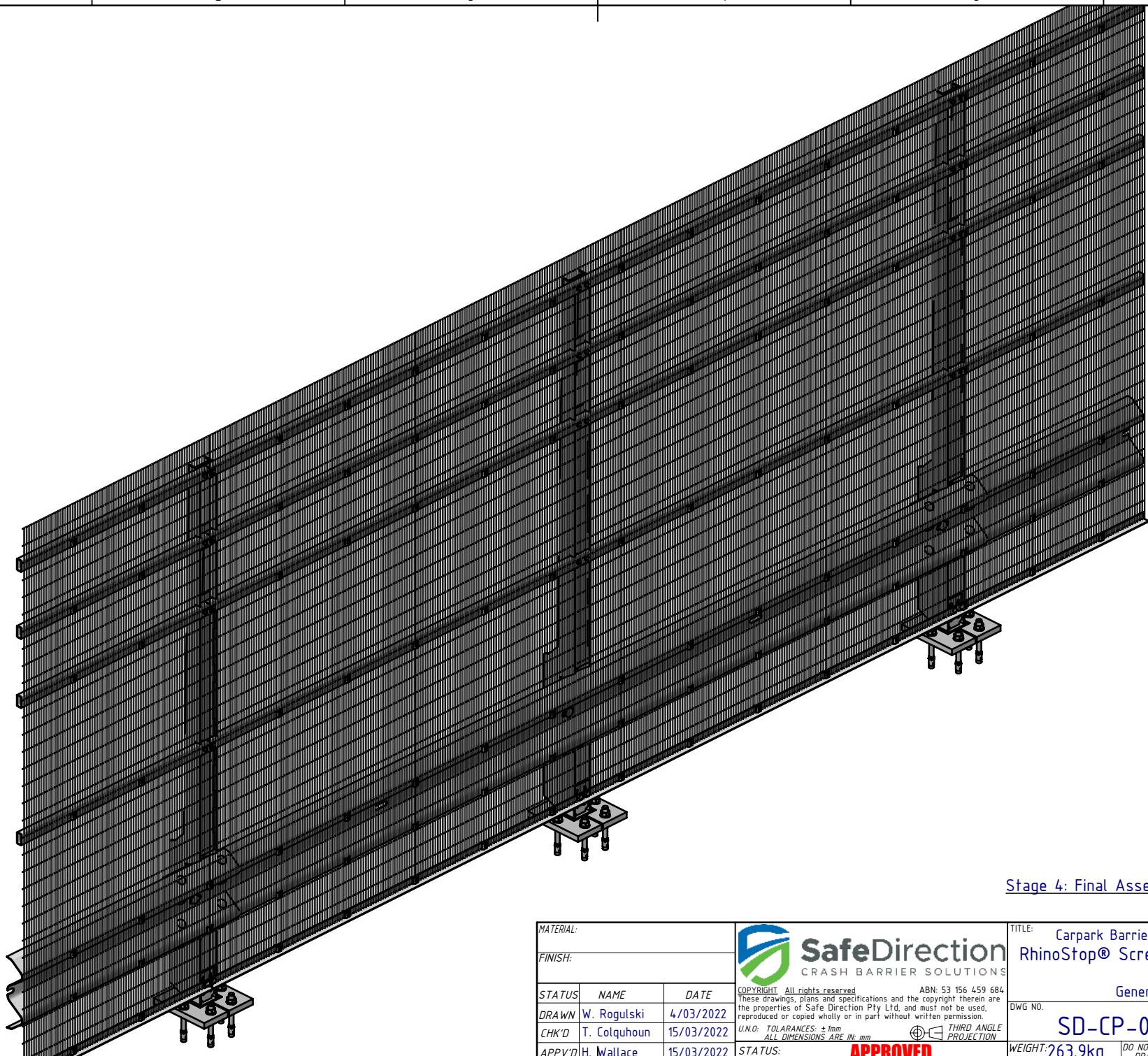
Fastener located between Mesh Panels, with Profiled Mesh Washer lapping both Mesh Panels. TYP

Mesh Panel Assembly Notes:


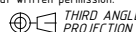
1. Position first Mesh Panel in Portrait orientation, resting on bottom EA support rail.
2. Position adjacent Mesh Panels with a 5-10mm gap to allow for fixing screw between each Panel.
3. Fix Mesh Panels as indicated in Detail E and Detail F views.
4. Each Mesh Panel to be fixed with 28x Self Tapping Screws and Profiled Mesh Washers.

Stage 3b: Mesh Panel Assembly

MATERIAL:			 <p><b>SafeDirection</b> CRASH BARRIER SOLUTIONS</p>		TITLE: Carpark Barriers - Rhino-Stop® Screen RhinoStop® Screen Type 5, 2500mm High			
FINISH:					General Arrangement			
STATUS	NAME	DATE	<small>COPYRIGHT: All rights reserved. ABN: 53 156 459 684</small> <small>These drawings, plans and specifications and the copyright therein are the properties of Safe Direction Pty Ltd, and must not be used, reproduced or copied wholly or in part without written permission.</small>		DWG NO.	REVISION:	SHEET SIZE	
DRAWN	W. Rogulski	4/03/2022	<small>U.N.O. TOLERANCES: ±1mm</small> <small>ALL DIMENSIONS ARE IN: mm</small>			<b>SD-CP-06005</b>	<b>B</b>	<b>A4</b>
CHK'D	T. Colquhoun	15/03/2022	<small>THIRD ANGLE PROJECTION</small>					
APPV'D	H. Wallace	15/03/2022	<b>STATUS: APPROVED</b>					



Stage 4: Final Assembly

MATERIAL:			 <p><b>SafeDirection</b> CRASH BARRIER SOLUTIONS</p>	TITLE: Carpark Barriers - Rhino-Stop® Screen RhinoStop® Screen Type 5, 2500mm High		
FINISH:				General Arrangement		
STATUS	NAME	DATE	<small>COPYRIGHT All rights reserved</small> <small>ABN: 53 156 459 684</small> <small>These drawings, plans and specifications and the copyright therein are the properties of Safe Direction Pty Ltd, and must not be used, reproduced or copied wholly or in part without written permission.</small>	DWG NO.	REVISION:	SHEET SIZE
DRAWN	W. Rogulski	4/03/2022	<small>U.N.O. TOLERANCES: ±1mm</small> <small>ALL DIMENSIONS ARE IN: mm</small>		SD-CP-06005	B A4
CHK'D	T. Colquhoun	15/03/2022				
APPV'D	H. Wallace	15/03/2022				
STATUS: <b>APPROVED</b>			WEIGHT: 263.9kg	DO NOT SCALE DRAWING	SCALE: 1:20	SHEET 7 of 7