

REVISIONS				
REV.	ZONE	DESCRIPTION	DATE	APPV'D
A		Initial Issue	09/02/2026	HW

- NOTES:**
- 6 IN [150 MM] MIN. REINFORCED 4000 PSI [28 MPa] P.C. CONCRETE PAD OR 8 IN [200 MM] MIN. NON-REINFORCED 4000 PSI [28 MPa] P.C. CONCRETE ROADWAY.
 - 4000 PSI [28 MPa] STONE AGGREGATE CONCRETE 145 LBS/CU.FT [2324 KG/CU.M].
 - TO COVER ENTIRE RANGE OF ANTICIPATED GATE TRAVEL: 4 IN [100 MM] MIN. NON-REINFORCED 4000 PSI [28 MPa] P.C. CONCRETE OR 6 IN [150 MM] ASPHALTIC CONCRETE ABOVE 8 IN [200 MM] D.G.A. BASE.
 - THE CONCRETE REINFORCEMENT SHOWN IS RECOMMENDED TO ENSURE ADEQUATE BARRIER INTEGRITY FOR PROPER IMPACT PERFORMANCE. VARIATIONS MAY BE REVIEWED AND DETERMINATIONS MADE AS TO EQUIVALENCE BY PROJECT ENGINEER.
 - PAD MUST BE DOWELED TO CONCRETE BARRIER FOOTING IF IT IS NOT CONTINUOUS.
 - ANCHORS ARE TO BE CORROSION RESISTANT, $\frac{3}{4}$ IN [20 MM] DIA. WITH A MINIMUM OF 6 IN [150 MM] EMBEDMENT IN P.C. CONCRETE. ADHESIVE CAPACITY SHOULD MEET A TENSILE STRENGTH OF 2000 PSI [13.8 MPa] AND COMPRESSIVE STRENGTH OF 10000 PSI [68.9 MPa]. ANCHORING COMPOUND SHOULD PROVIDE A PULL OUT STRENGTH OF 20000 LB [9071 KG] IN 4000 PSI CONCRETE [28 MPa].
 - DIMENSION MAY BE ADJUSTED IF FOUNDATION BLOCK IS BIGGER THAN MINIMUM SHOWN.

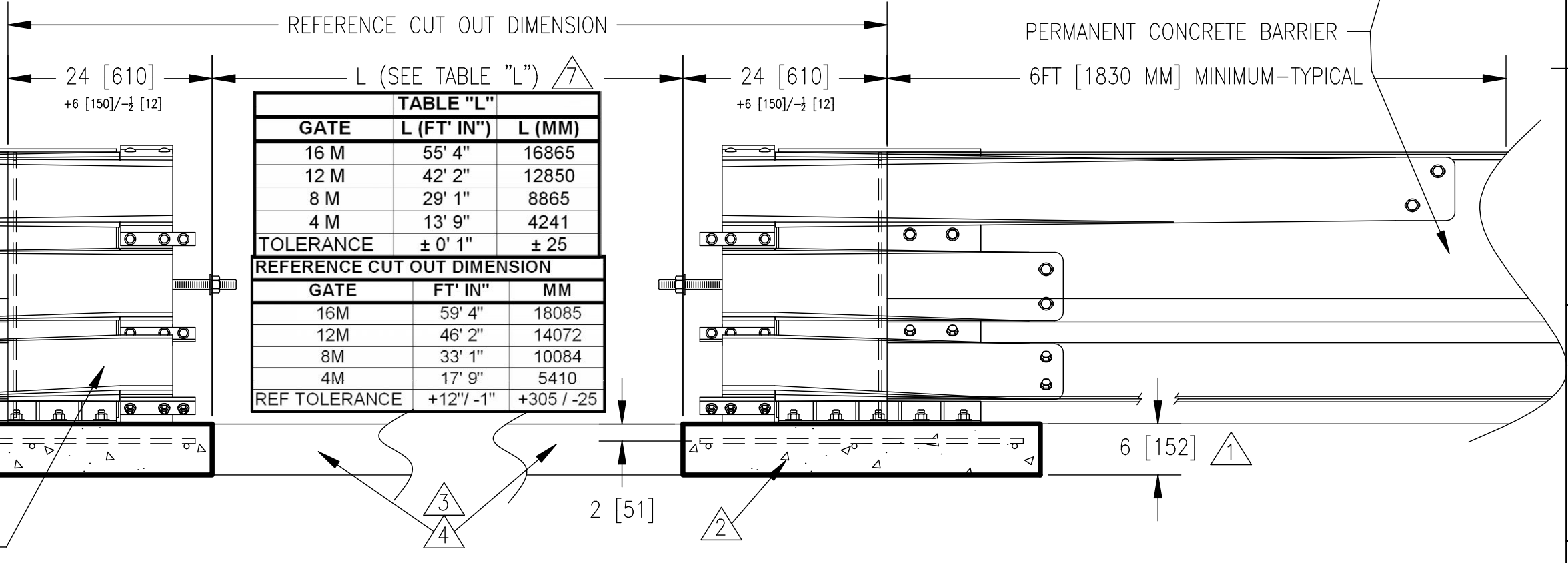
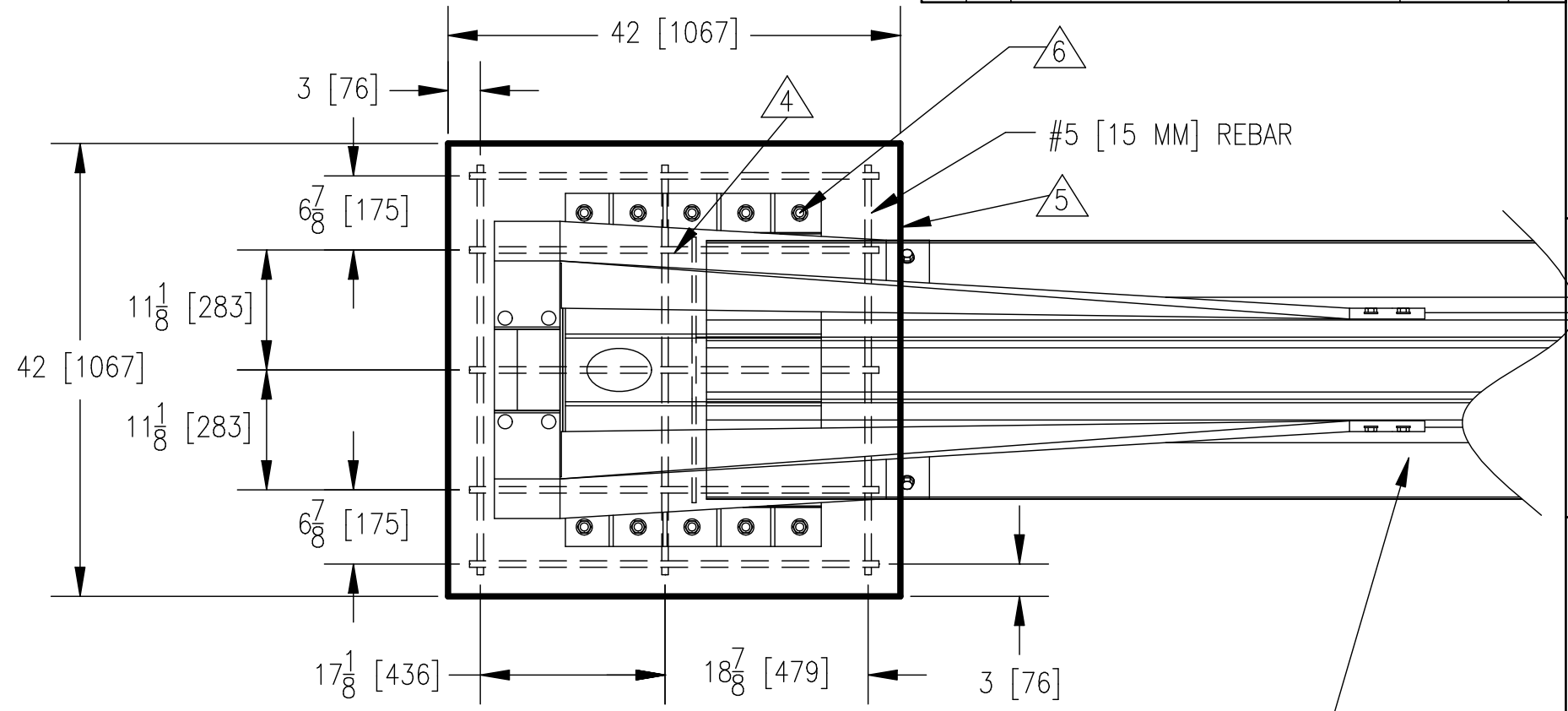


TABLE "L"		
GATE	L (FT' IN")	L (MM)
16 M	55' 4"	16865
12 M	42' 2"	12850
8 M	29' 1"	8865
4 M	13' 9"	4241
TOLERANCE		± 0' 1" ± 25

REFERENCE CUT OUT DIMENSION		
GATE	FT' IN"	MM
16M	59' 4"	18085
12M	46' 2"	14072
8M	33' 1"	10084
4M	17' 9"	5410
REF TOLERANCE		+12' / -1" +305 / -25

DIMENSIONS IN INCHES AND [MILLIMETERS] UNLESS OTHERWISE NOTED

MATERIAL:		<p>SafeDirection CRASH BARRIER SOLUTIONS</p> <p><small>COPYRIGHT All rights reserved. ABN: 53 156 459 684. These drawings, plans and specifications and the copyright therein are the properties of Safe Direction Pty Ltd, and must not be used, reproduced or copied wholly or in part without written permission.</small></p>	PROJECT:	
FINISH:			TITLE: ArmorGuard Barrier Gate Foundation & Cut-Out Specifications	
STATUS	NAME	DATE	CONFIGURATION:	
DRAWN	W. Refahi	9/02/2026	DWG TYPE:	
CHK'D	T. Colquhoun	10/02/2026	DWG NO. SD-RB-21003	
APPV'D	H. Wallace	10/02/2026	REVISION: A	SHEET SIZE: A3
<small>GENERAL TOLERANCES: ±0.5mm</small> <small>ALL DIMENSIONS ARE IN: [Symbol] THIRD ANGLE PROJECTION</small>			WEIGHT: kg	
<small>UNLESS OTHERWISE SPECIFIED:</small> <small>ALL DIMENSIONS ARE IN: [Symbol] THIRD ANGLE PROJECTION</small>			<small>DO NOT SCALE DRAWING</small> SCALE: 2:3 SHEET 1 of 1	